

KYCON continues its leadership in connectors by offering a complete line of sizes and options.

TABLE OF CONTENTS

Catalog #16

D-Subminiature Connectors

3

- **Surface Mount**
- **Right-Angle, Vertical & Solder Cup**
- **Compact, High Density & VESA Designs**
- **Cable Connectors**
- **Multi Port**
- **Ferrite**
- **Hardware**



High Frequency I/O Connectors

39

- **Universal Serial Bus (USB)**
- **Mini-USB**
- **IEEE 1394**
- **DVI**
- **SCSI**



Modular Jacks with Integrated Magnetics

51

- **Through Hole**
- **Surface Mount**
- **Modular Jack over Stacked USB**



Modular Jacks and Plugs

59

- **Surface Mount & Through Hole**
- **Right Angle & Perpendicular**
- **Ganged Jacks**
- **Ferrite**



Mini-DINs / Circular DINs

83

- **Surface Mount & Through Hole**
- **Right Angle & Vertical**
- **Panel & Cable Mount**
- **Ferrite, Stacked & Slim Designs**



Audio Jacks

99

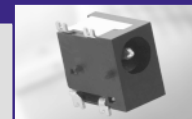
- **2.5mm & 3.5mm**
- **Surface Mount & Through Hole**
- **Low Profile, Slim, Stacked & Panel Mount**
- **RCA Phono Jacks**



DC Power Connectors

119

- **1.0 mm, 1.3 mm, 2.0 mm and 2.5 mm**
- **Surface Mount & Through Hole**
- **Right Angle, Vertical & Panel Mount**



Other Connectors and Sockets

130

- **Edge Card Connectors**
- **DIMM Sockets**
- **SCART Connectors**
- **Miniature Ribbon Connectors**
- **Chip Carrier Sockets**



KYCON continues its leadership in innovative connector design by offering a number of design alternatives.

DESIGN CHALLENGES

Kycon Solutions

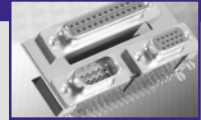
Surface Mount Connectors

As more and more PC board production is moving to SMT, Kycon is adding surface mount designs to many of its connector lines. Connectors currently available in surface mount are USB, mini-USB, IEEE 1394, D-sub, modular jacks, chip carrier sockets, DC power jacks, audio jacks, and mini-DINs.



PC99

Kycon's PC99 connectors meet the Design System Guidelines for PC systems and components. The colors assigned to each connector are defined by its function within the PC or peripheral and help end users properly connect and configure their system.



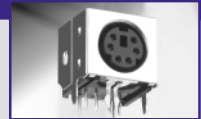
Reflow Compatible Connectors

Although PC board production is changing to surface mount assembly, many connectors are ill suited for adaptation to SMT designs. Kycon has developed a line of leaded connectors compatible with reflow soldering processes to help simplify the assembly process on SMT boards.



Shielded Connectors

Electronics equipment designers have been concerned with electromagnetic interference (EMI) ever since unwanted signals were first found to interfere with electronic performance. To prevent problems associated with EMI/RFI transmissions, Kycon has developed a number of products with varying shield options.



Ferrite Connectors

For PC board manufacturers who require additional filtering of EMI/RFI transmissions, but don't want to redesign their board layout, Kycon's ferrite D-sub, Modular Jacks and Mini-DINs provide an easy, cost effective way of reducing both radiated and conducted interference.



High Frequency I/O Connectors

As the demand for faster and cleaner data transfer increases, Kycon has added more connectors to its line of High Frequency I/O Connectors. In addition to the standard high speed I/O bus connectors, such as SCSI, USB and IEEE 1394, Kycon also offers the ultra-small Mini-USB for hand held devices, and the DVI for storing and displaying moving video images.



Custom Connectors

Kycon develops many connectors to meet specific customer applications. Through the modification of existing products, Kycon is able to quickly and cost effectively produce custom connectors to meet individual needs.



KYCON continues its leadership in D-Subminiature Connectors by offering a complete line of sizes and options.

Features:

- Applications include Computer Peripherals, Data Processing, Telecommunications, Industrial Controls and Local Area Networks
- Bright Tin shells for exceptional conductivity, grounding and EMI/RFI Shielding
- PC99 Colors available
- Indentations (dimples) on plug shells for exceptional grounding and mating retention
- Plug and Socket available in 9, 15, 25, and 37 positions
- High-Density available in 15, 26, 44, and 62 positions
- All stamped socket pins are Phosphor Bronze for superior contact retention.
- Design meets the requirements of MIL-C-24308, EIA RS-232 and RS-449
- UL Recognized File No. E140125
- CSA/NRTL Certified File No. LR78160

Performance:

- See page 4 for performance specifications



D-SUBMINIATURE CONNECTORS

Directory

Right Angle P.C.B. Mount

K202HT - Surface Mount	5
K22 - .318" Footprint	6
K44 - .590" Footprint	7
K66 - High Density, .350" Footprint	8
K66 - VESA	8
K31 - Ultra Compact Footprint	10
K61 - Compact Footprint	12
K85R1 - Open Body .283"	13
K85R2 - Open Body .370"	13



Vertical P.C.B. Mount

K85 - Low Profile	15
K86 - High Density	16
K88 - High Profile	18



Cable Connectors

K85 - Soldercup	15
K86 - Soldercup, High Density	16
K99 - IDC	19



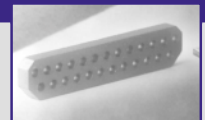
Multiport

K42 - Dual Port	22
K42 - Combination Multiport	23



Ferrite

KF22 - .318" Footprint	28
KF44 - .590" Footprint	29
KF66 - High Density, .350" Footprint	30
KF42 - Dual Port	31
KF85 - Vertical, Low Profile	32
KF86 - Vertical, High Density	33
KF88 - Vertical, High Profile	34



Hardware / Mounting Options

K22, KF22, K66, KF66	35
K44, KF44	36
K42, KF42	37
Jack Screws	38



KYCON continues its leadership in D-Subminiature connectors by offering a complete line of sizes and options.

PC99 Colors Available:

- HD15: Blue
- DB15: Gold
- DB25: Burgundy
- DB09: Teal



D-SUBMINIATURE CONNECTORS

Performance Specifications

Materials and Finish

Shell

Steel Material, Tin Finish, and Indentations (Dimples) on Plug Only

Insert

Standard: PBT Thermoplastic, Black Color, 30% Glass Filled, 94V-0 Rated
 Reflow Compatible: High Temperature Thermoplastic, Black Color, 30% Glass Filled, 94V-0 Rated

Contact Material

Pin: Brass .040 (1.02) Diameter Standard; .030 (0.76) Diameter High Density
 Socket: Phosphor Bronze (Precision Formed Contact)
 Brass (Precision Machined Contact)

Contact Finish-Standard

Gold Flash Over 0.0001 (0.00254) Nickel on Mating End of Contacts
 Tin/Lead Over Nickel or Gold Flash Over Nickel on Solder Tails

Riveted Insert

Brass Material, Nickel Finish

Mechanical Characteristics

Contact Retention

Precision Machined Contact 10 Lbs, Precision Formed Contact 10 Lbs

Contact Extraction Force

Typ. 4 Oz.

Contact Insertion Force

Typ. 9 Oz.

Durability

1,000 Insertion Cycles Min (With Standard Plating)

Operating Temperature Rating

-55°C to +125°C

Electrical Characteristics

Contact Current Rating

Precision Machined Contact 7.6 Amps
 Precision Formed Contact 5.0 Amps (Except K99 Series)

Contact Resistance

Precision Machined Contact 5 Milliohms Max
 Precision Formed Contact 8 Milliohms Max

Dielectric Withstanding Voltage

1000 V AC Min for 1 Minute

Insulation Resistance

5000 Megohms Min

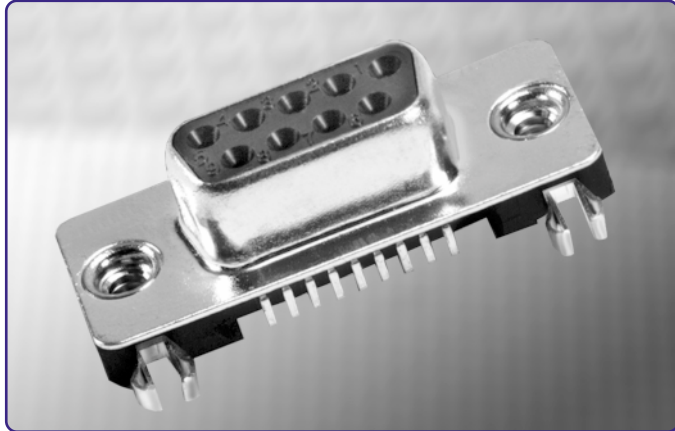
Processing Characteristics

Soldering Temperature Rating

High Temperature Plastic: 230°C for 30 Seconds, 260°C for 10 Seconds

Plating Options

Designator	Plating Description
Standard	Gold Flash over Nickel on Contacts. Gold Flash over Nickel or Tin/Lead over Nickel on Solder Tails.
15	15µ" Gold over Nickel on Mating End of Contacts. Tin/Lead over Nickel on Solder Tails.
30	30µ" Gold over Nickel on Mating End of Contacts. Tin/Lead over Nickel on Solder Tails.



*K202HT Series
Right Angle
Surface Mount*

Ordering Information

K202HT	-	E9S	-	N	-	
Series		Configuration		Mounting Option		Plating Options

Series

K202HT - Kycon D-Subminiature Connector, Right Angle, Ultra Short Footprint, Surface Mount, Reflow Compatible

Configuration

- E9S - 9 Socket Contacts (Receptacle)
- E9P - 9 Pin Contacts (Plug)
- B25S - 25 Socket Contacts (Receptacle)
- B25P - 25 Pin Contacts (Plug)
- E15S - 15 Socket Contacts High Density (Receptacle)*

Mounting Options

- N - With Board Locks and (4-40) Riveted Threaded Inserts
- NJ - With Board Locks, Riveted Threaded Inserts, and 4-40 Hex. Jack Screws Assembled to Connector

Plating Options

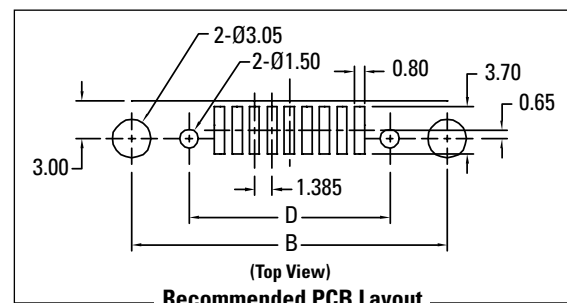
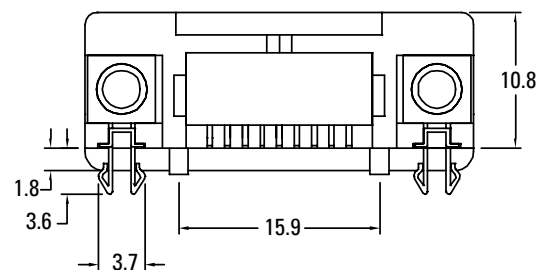
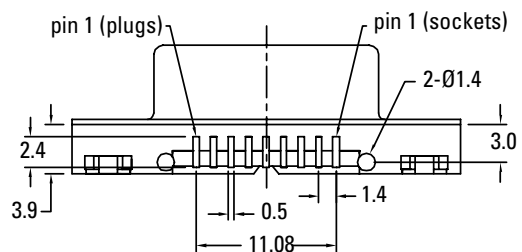
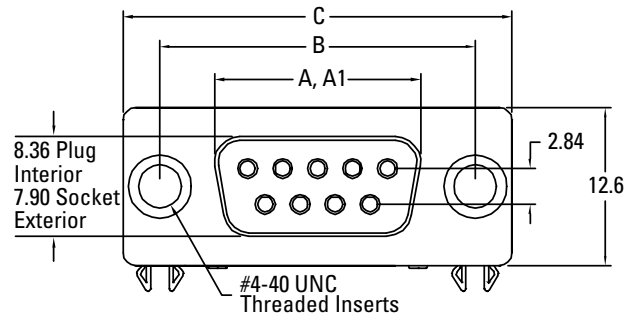
Designator	Plating Description
Standard	Gold flash over nickel on contacts. Tin/lead over nickel on soldertails.
15	15µ" gold over nickel on mating end of contacts. Tin/lead over nickel on soldertails.
30	30µ" gold over nickel on mating end of contacts. Tin/lead over nickel on soldertails.

Performance Specifications (see page 4)

*Contact factory for specifications. 888-KYCON-22

K202HT Series Dimensions

Dimensions in mm



Shell Size	A					A1					B					C					D							
	In		mm		±.010		±.010		±.005		±.005		±.015		±.015		±.005		±.005		±.015		±.015		±.005		±.005	
9 (E)	.643		16.33		.666		16.92		.984		24.99		1.213		30.81		.626		15.90									
15 (E)	.643		16.33		—		—		.984		24.99		1.213		30.81		.609		15.46									
25 (B)	1.511		38.38		1.534		38.96		1.852		47.04		2.088		53.04		1.498		38.06									

A = Exterior of Female Shell (S)
A1 = Interior of Male Shell (P)



K22 Series
Right Angle PCB Mount
.318" Footprint

Ordering Information

K22	-	B	25	S	-	N
Series		Shell Size	Number of Contacts	Contact Type		Mounting Options
						Plating Options

Series

K22 - Kycon D-Subminiature Connector, Right Angle, PCB Termination, .318 Footprint
K22HT - Reflow Compatible Version

Shell Size

- E - 9 Contacts
- A - 15 Contacts
- B - 25 Contacts
- C - 37 Contacts

Number of Contacts

9, 15, 25, 37

Contact Type

- P - Pin Contact (Plug)
- S - Socket Contact (Receptacle)

Mounting Options (See Page 35)

Plating Options

Designator	Plating Description
Standard	Gold flash over nickel on contacts. Gold flash over nickel or tin/lead over nickel on soldertails.
15	15µ" gold over nickel on mating end of contacts. Tin/lead over nickel on soldertails.
30	30µ" gold over nickel on mating end of contacts. Tin/lead over nickel on soldertails.

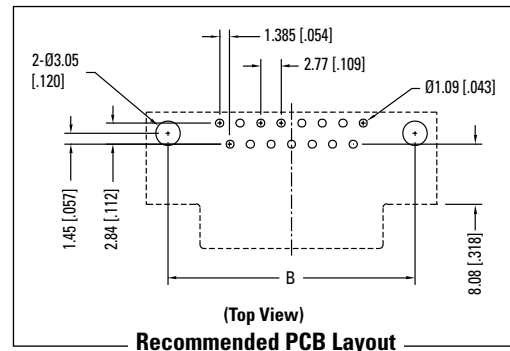
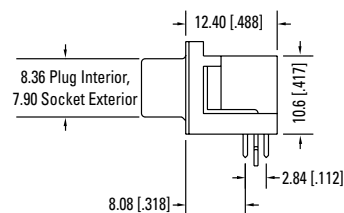
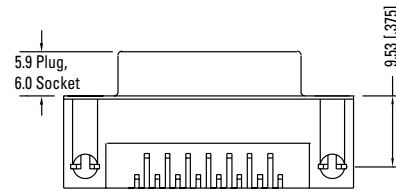
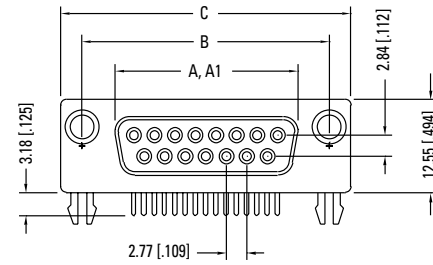
Performance Specifications (see page 4)

D-SUBMINIATURE CONNECTORS

K22 Series

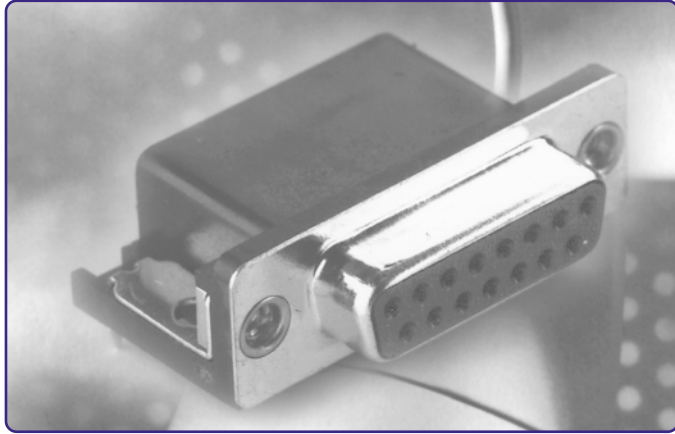
K22 Series Dimensions

Pictured with Board Lock Option, Dimensions in mm [In]



Shell Size	In / mm			
	A	A1	B	C
9 (E)	.643 16.33	.666 16.92	.984 24.99	1.213 30.81
15 (A)	.971 24.66	.994 25.25	1.312 33.32	1.541 39.14
25 (B)	1.511 38.38	1.534 38.96	1.852 47.04	2.088 53.04
37 (C)	2.159 54.84	2.182 55.42	2.500 63.50	2.729 69.32

A = Exterior of Female Shell (S)
A1 = Interior of Male Shell (P)



K44 Series
Right Angle PCB Mount
.590" Footprint

Ordering Information

K44	-	B	25	S	-	P
Series		Shell Size	Number of Contacts	Contact Type		Mounting Options

Series

K44 - Kycon D-Subminiature Connector, Right Angle, PCB Termination, .590 Footprint

Shell Size

- E - 9 Contacts
- A - 15 Contacts
- B - 25 Contacts
- C - 37 Contacts

Number of Contacts

9, 15, 25, 37

Contact Type

- P - Pin Contact (Plug)
- S - Socket Contact (Receptacle)

Mounting Options (see page 36)

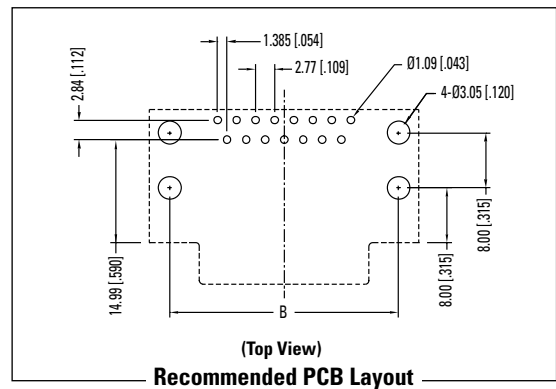
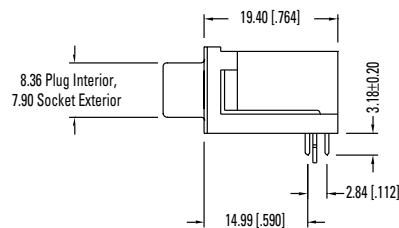
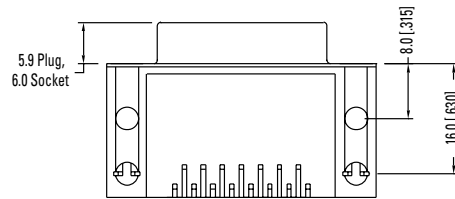
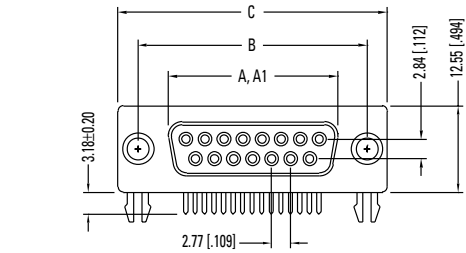
Plating Options

Designator	Plating Description
Standard	Gold flash over nickel on contacts. Gold flash over nickel or tin/lead over nickel on soldertails.
15	15µ" gold over nickel on mating end of contacts. Tin/lead over nickel on soldertails.
30	30µ" gold over nickel on mating end of contacts. Tin/lead over nickel on soldertails.

Performance Specifications (see page 4)

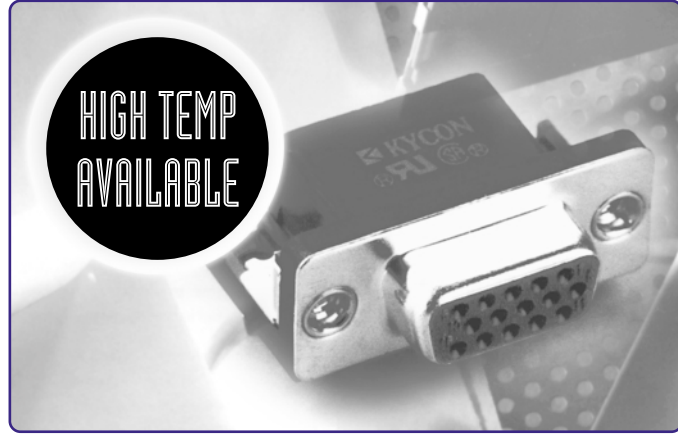
K44 Series Dimensions

Pictured with Board Lock Option, Dimensions in mm [In]



Shell Size	Dimensions (mm)			
	A	A1	B	C
9 (E)	±.010 ±0.25	±.010 ±0.25	±.005 ±0.13	±.015 ±0.38
15 (A)	.643 16.33	.666 16.92	.984 24.99	1.213 30.81
25 (B)	.971 24.66	.994 25.25	1.312 33.32	1.541 39.14
37 (C)	1.511 38.38	1.534 38.96	1.852 47.04	2.088 53.04
	2.159 54.84	2.182 55.42	2.500 63.50	2.729 69.32

A = Exterior of Female Shell (S)
A1 = Interior of Male Shell (P)



K66 Series High Density Right Angle PCB Mount

Ordering Information

K66	-	E	15	S	-	N	15	-	VESA
Series		Shell Size	Number of Contacts	Contact Type		Mounting Options	Plating Options		VESA Options

Series

K66 - Kycon High Density D-Subminiature Connector, Right Angle PCB Termination, .350 Footprint
K66HT - Reflow Compatible Version

Shell Size, Number of Contacts

E-15 Contacts
A-26 Contacts
B-44 Contacts
C-62 Contacts

Contact Type

P-Pin Contact (Plug)
S-Socket Contact (Receptacle)

Mounting Options (See page 35)

Plating Options and Performance Specifications (See page 4)

VESA Options (15 Pin Receptacle Only)

Blank-Standard
VESA - VESA Compliant Version

VESA Features

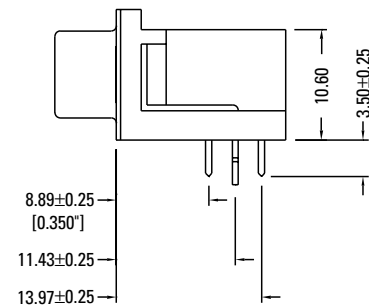
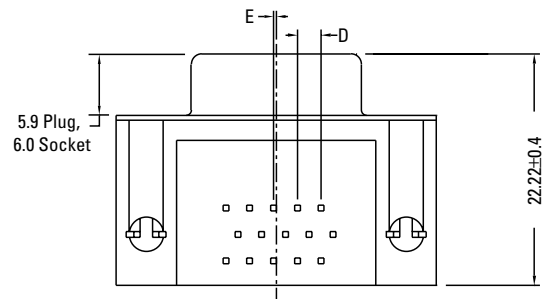
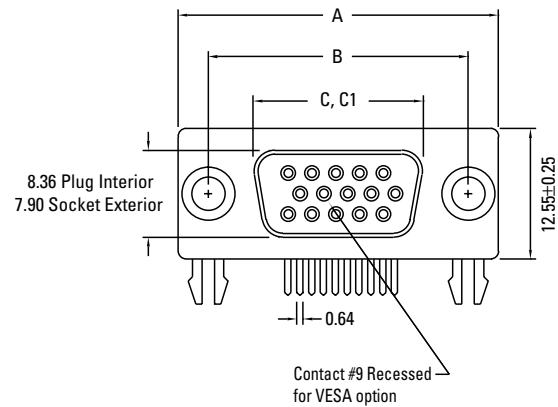
- Right Angle PCB Termination, 15 Pin Receptacle, .350 Footprint
- Contact #9 Recessed 0.050" (1.27mm) to Allow Last Mate/First Break on 5V Supply Voltage
- Blue PBT Insulator Signifies 5V Capability and Full Feature AccessBus Capability in Accordance with Video Electronics Standard Association (VESA)
- Meets Display Data Channel (DDC) Standard

D-SUBMINIATURE CONNECTORS

K66 Series

K66 Series Dimensions

Pictured with Board Lock Option, Dimensions in mm

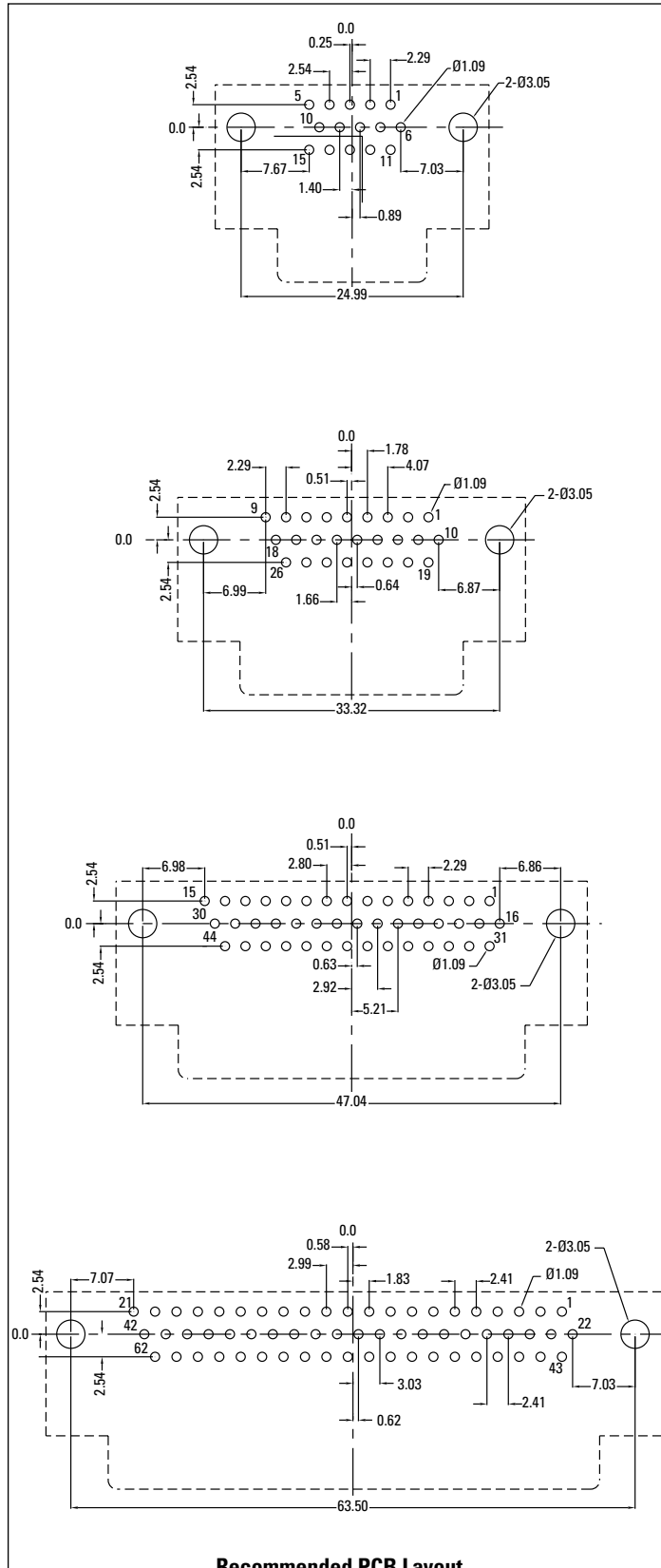


Shell Size	A	B	C	C1	D	E
	In mm	± .015 ± 0.38	± .005 ± 0.13	± .010 ± 0.25	± .010 ± 0.25	± .005 ± 0.13
15 (E)	1.213 30.81	.984 24.99	.643 16.33	.666 16.92	.090 2.29	.010 0.25
26 (A)	1.541 39.14	1.312 33.32	.971 24.66	.994 25.25	.090 2.29	.020 0.51
44 (B)	2.088 53.04	1.852 47.04	1.511 38.38	1.534 38.96	.090 2.29	.020 0.51
62 (C)	2.729 69.32	2.500 63.50	2.159 54.84	2.182 55.42	.095 2.41	.023 0.58

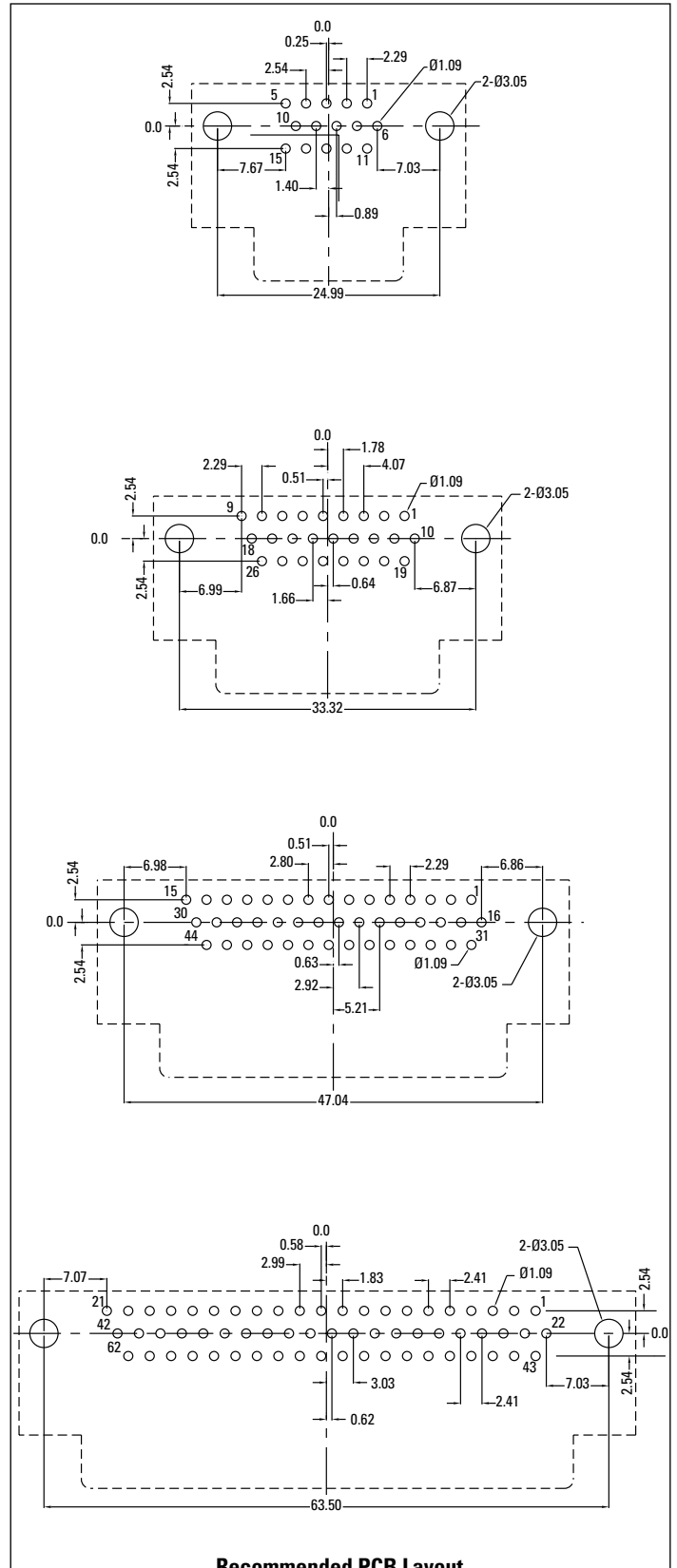
C = Exterior of Female Shell (S)

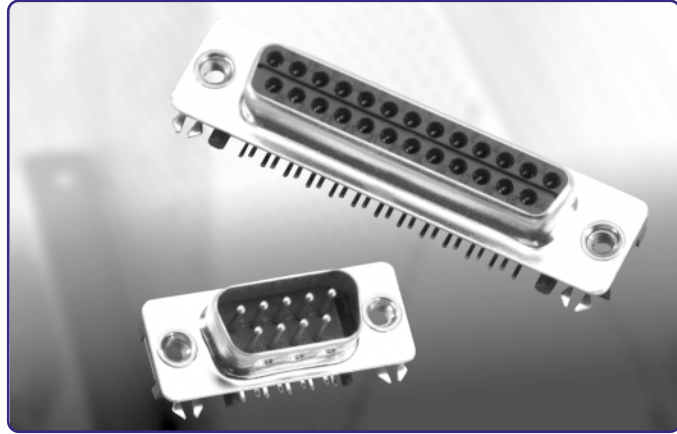
C1 = Interior of Male Shell (P)

Female (Receptacle): Top View



Male (Plug): Bottom View





*K31 Series
Right Angle PCB Mount
Ultra Compact
Footprint*

Ordering Information

K31	-	A15S	-	N	-		
Series		Configuration		Mounting Options		Other Options	Plating Options

Series

K31 - Kycon D-Subminiature Connector, Right Angle, PCB Termination, Ultra Compact Footprint
K31HT - Reflow Compatible Version

Configuration

E9P - 9 Pin Contacts (Plug)
E9S - 9 Socket Contacts (Receptacle)
A15S - 15 Socket Contacts (Receptacle)
B25S - 25 Socket Contacts (Receptacle)
E15S - 15 Socket Contacts High Density (Receptacle)

Mounting Options

N - With Board Locks and 4-40 Riveted Threaded Inserts
NJ - With Board Locks, Riveted Threaded Inserts and 4-40 Hex. Jack Screws Assembled to Connector

Other Options

Blank - Standard
ESD - With Electrostatic Discharge Bar (25 pin only)

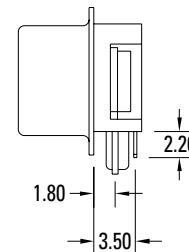
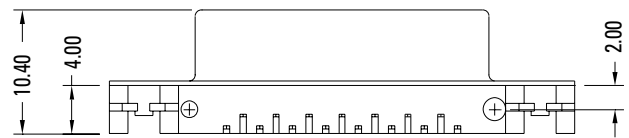
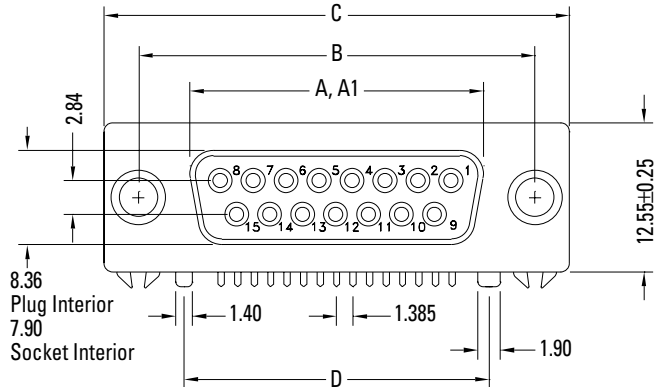
Plating Options

Designator	Plating Description
Standard	Gold flash over nickel on contacts. Gold flash over nickel or tin/lead over nickel on soldertails.
15	15µ" gold over nickel on mating end of contacts. Tin/lead over nickel on soldertails.
30	30µ" gold over nickel on mating end of contacts. Tin/lead over nickel on soldertails.

Performance Specifications (see page 4)

D-SUBMINIATURE CONNECTORS

K31 Series



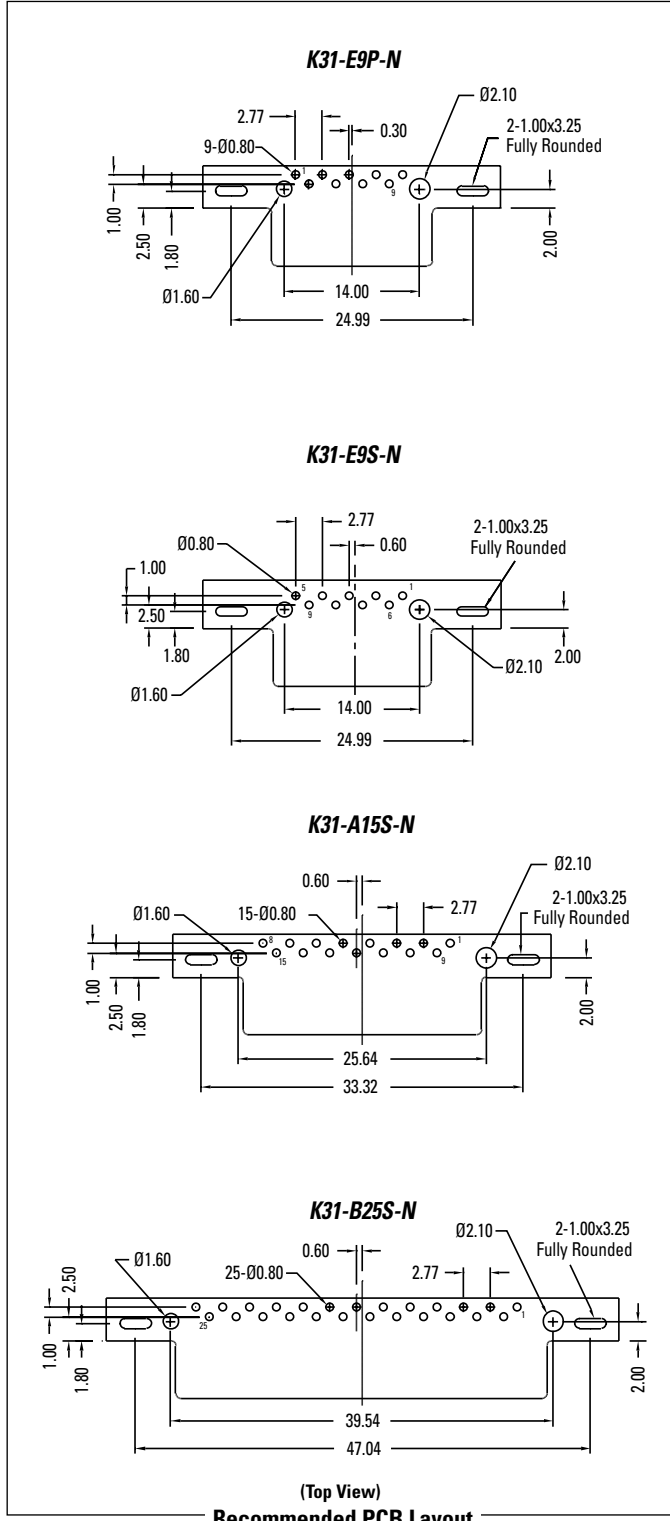
Shell Size	Dimensions				
	A	A1	B	C	D
9 (E)	.643 16.33	.666 16.92	.984 24.99	1.213 30.81	.551 14.00
15 (A)	.971 24.66	—	1.312 33.32	1.541 39.14	1.009 25.64
25 (B)	1.511 38.38	—	1.852 47.04	2.088 53.04	1.557 39.54

A = Exterior of Female Shell (S)
A1 = Interior of Male Shell (P)



K31 Series Dimensions

Dimensions in mm

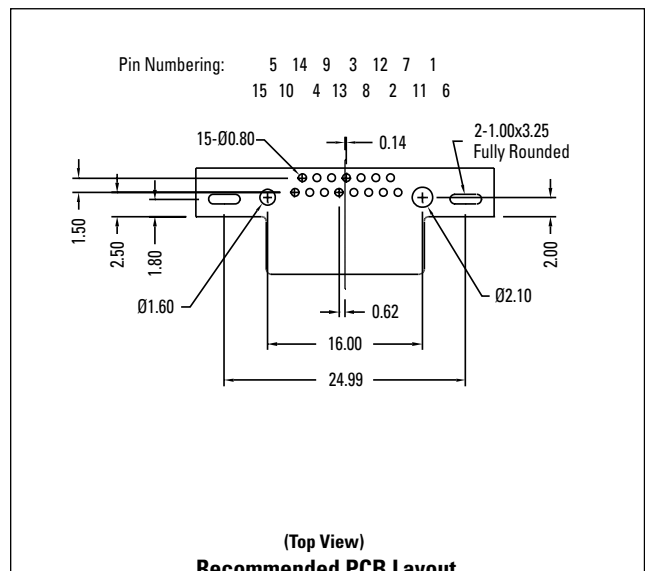
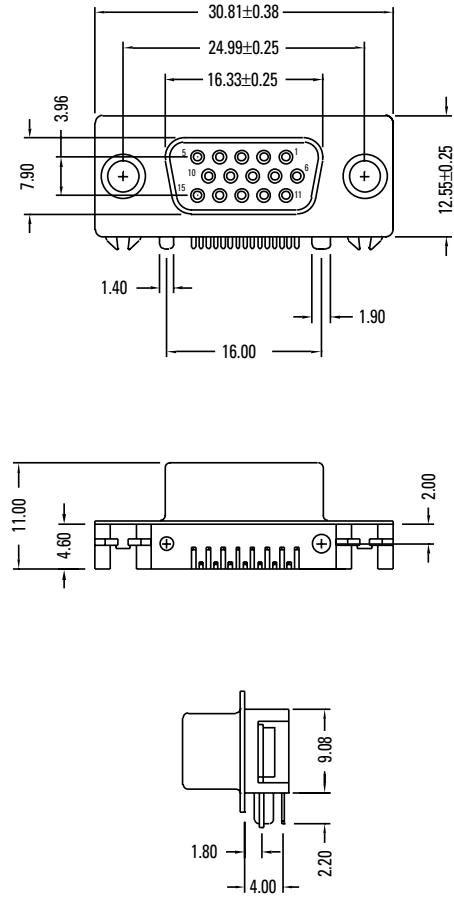


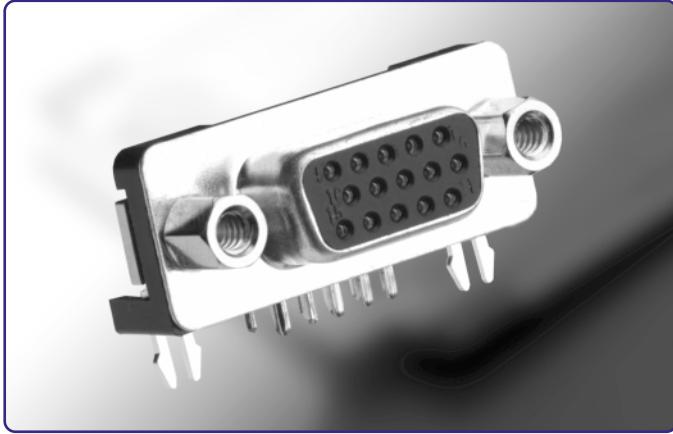
D-SUBMINIATURE CONNECTORS

K31 Series

K31-E15S-N

Dimensions in mm





*K61 Series
High Density
Right Angle PCB Mount
Compact Footprint*

Features

- 15 Pin High Density D-Subminiature Receptacle, Right Angle PCB Termination, Compact Footprint
- Available in Reflow Compatible, High Temperature Plastic

VESA Features

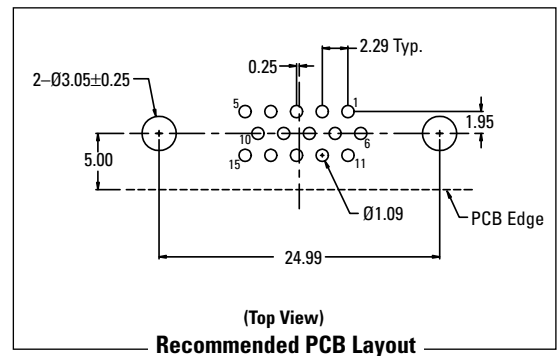
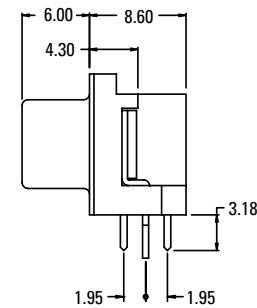
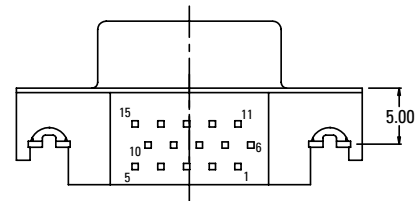
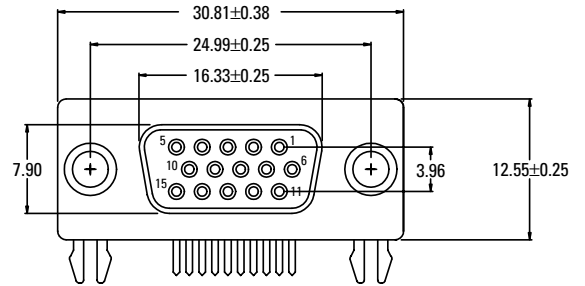
- Contact #9 Recessed 0.050" (1.27mm) to Allow Last Mate/First Break on 5V Supply Voltage
- Blue PBT Insulator Signifies 5V Capability and Full Feature AccessBus Capability in Accordance with Video Electronics Standard Association (VESA)
- Meets Display Data Channel (DDC) Standard

Ordering Information

K61	-	E	15	S	-	N	-	-
Series	Shell Size	Number of Contacts	Contact Type	Mounting Option	Plating Options	VESA Option		
Series	K61 - Kycon High Density D-Subminiature Connector, Right Angle PCB Termination							
	K61HT - Reflow Compatible Version							
Shell Size, Number of Contacts	E-15 Contacts							
Contact Type	S-Socket Contact (Receptacle)							
Plating Options and Performance Specifications	(see page 4)							
VESA Option (15 Pin Receptacle Only)	Blank-Standard VESA - VESA Compliant Version							
Mounting Option	N - With Board Locks and 4-40 Riveted Threaded Inserts NJ - With Board Locks, Riveted Threaded Inserts and 4-40 Hex. Jack Screws Assembled to Connector							

K61 Series Dimensions

Dimensions in mm





K85R1/K85R2 Series Right Angle PCB Mount Open Body

Ordering Information

K85R1	-	E		D	-	9		S	-	N		
Series		Shell Size		Contact Construction		Number of Contacts		Contact Type		Mounting Options		Plating Options

Series

K85R1 - Kycon D-Subminiature Connector, Right Angle PCB Termination .283" (7.2 mm) Foot Print

K85R2 - Kycon D-Subminiature Connector, Right Angle PCB Termination .370" (9.4 mm) European Foot Print

Shell Size

- E - 9 Contacts
- A - 15 Contacts
- B - 25 Contacts
- C - 37 Contacts

Contact Construction

D - Precision Formed Right Angle

Number of Contacts

9, 15, 25, 37

Pin Contact Type

- P - Pin Contact (Plug)
- S - Socket Contact (Receptacle)

Plating Options and Performance Specifications

(see page 4)

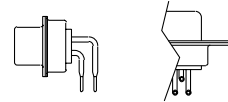
D-SUBMINIATURE CONNECTORS

K85R1 / K85R2 Series

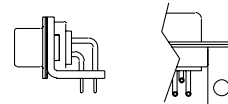
Mounting Options *

*Metric Jack Screws also available. (see page 38)

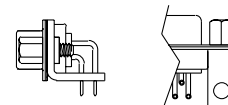
No Designator - No Mounting Brackets



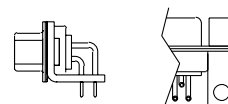
O - Mounting Brackets with .120" Dia. Non-Threaded Mounting Holes and Riveted Threaded Inserts



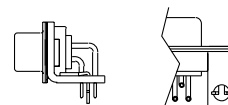
OJ - Mounting Brackets with .120" Dia. Non-Threaded Mounting Holes and Riveted Threaded Inserts with JS-1000 4-40 Hex Jackscrews Installed



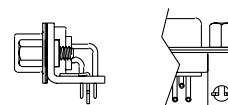
OR - Mounting Brackets with .120" Dia. Non-Threaded Mounting Holes with 4-40 Round Jackscrews Riveted to Connector



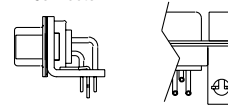
N - Mounting Brackets with Grounding Boardlocks and Riveted Threaded Inserts



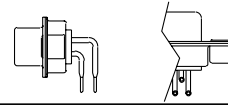
NJ - Mounting Brackets with Grounding Boardlocks and Riveted Threaded Inserts with JS-1000 4-40 Hex Jackscrews Installed



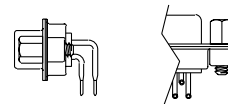
NR - Mounting Brackets with Grounding Boardlocks and Riveted Threaded Inserts with 4-40 Round Jackscrews Riveted to Connector



K - (No Mounting Brackets) Riveted Threaded 4-40 Bushings

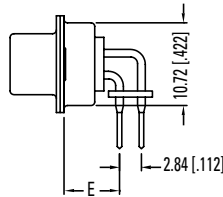
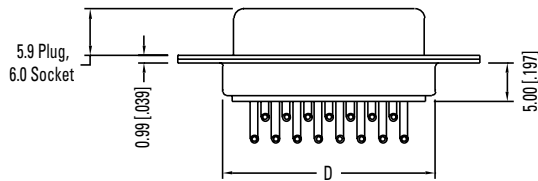
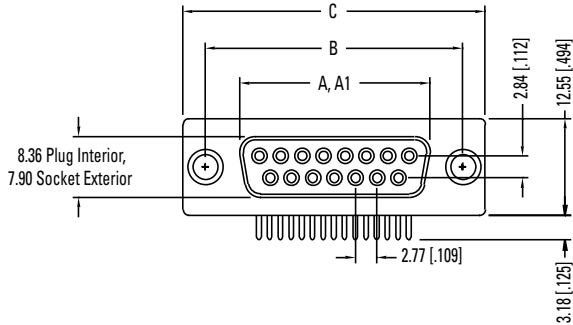


KJ - (No Mounting Brackets) Riveted Threaded 4-40 Bushings with JS-1000 4-40 Hex Jackscrews Installed



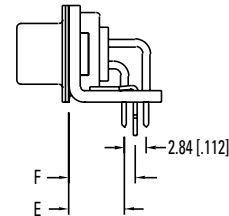
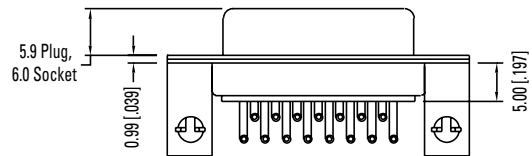
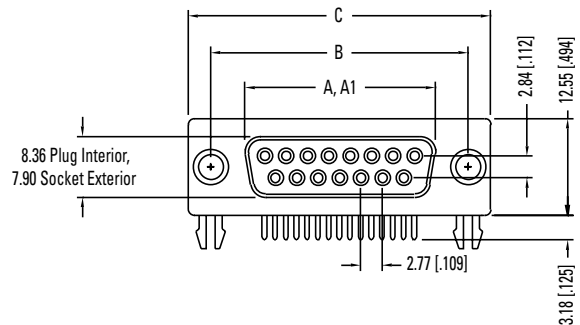
K85R1/K85R2 Dimensions

Standard with No Mounting Brackets



K85R1/K85R2 Dimensions

With Mounting Brackets, and Grounding Board Locks



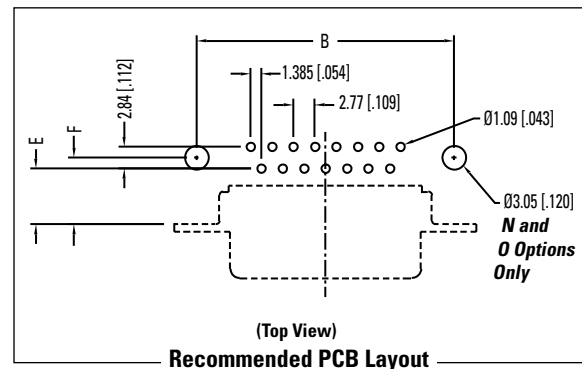
Dimensions in mm [In]

Number of Contacts (Shell Size)	Dimensions (Inch/mm) K85R1/K85R2				
	A	A1	B	C	D
9 (E)	.643 16.33	.666 16.92	.984 24.99	1.213 30.81	.795 20.19
15 (A)	.971 24.66	.994 25.25	1.312 33.32	1.541 39.14	1.083 27.51
25 (B)	1.511 38.38	1.534 38.96	1.852 47.04	2.088 53.04	1.652 41.96
37 (C)	2.159 54.84	2.182 55.42	2.500 63.50	2.729 69.32	2.272 57.71

Series	E Dimension	F Dimension
K85R1	7.2mm (.283)	8.62mm (.339)
K85R2	9.4mm (.370)	10.82mm (.425)

A = Exterior of Female Shell (S)

A1 = Interior of Male Shell (P)





**K85 Series
Vertical PCB Mount
and Soldercup**

Ordering Information

K85	-	B		D	-	25		S	-	K		
Series		Shell Size		Contact Construction		Number of Contacts		Contact Type		Mounting Options		Plating Options

Series

K85-Kycon D-Subminiature Connector, Solder Cup or Vertical PCB Termination

Shell Size

- E-9 Contacts
- A-15 Contacts
- B-25 Contacts
- C-37 Contacts

Contact Construction

Designator	Contact Construction	Type of Termination
A	Precision Formed	Solder Cup
D	Precision Formed	Vertical Pin (PCB Mount)

Number of Contacts

9, 15, 25, 37

Contact Type

- P-Pin Contact (Plug)
- S-Socket Contact (Receptacle)

Mounting Options

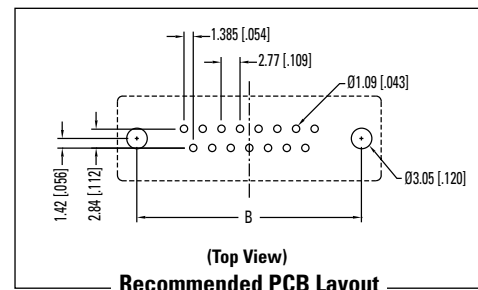
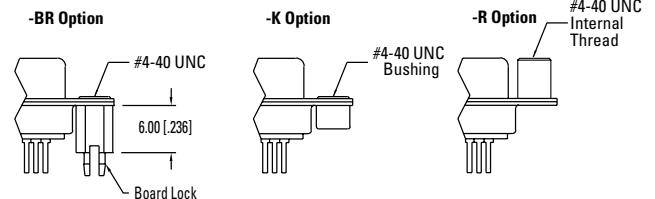
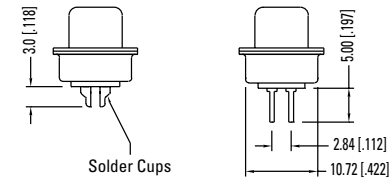
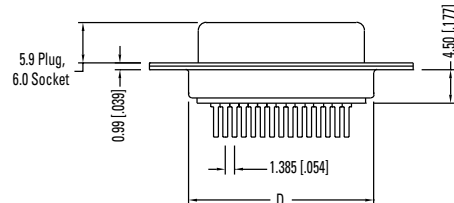
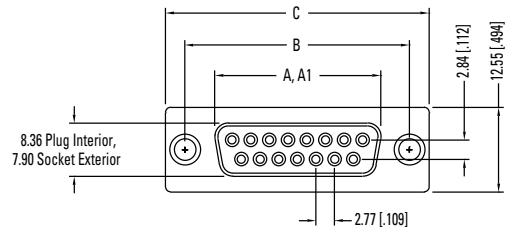
- K-with Riveted Threaded (4-40) Bushings
- KJ-with Riveted Threaded (4-40) Bushings and (4-40) Hex Jack Screws Installed
- BR-with (4-40) Riveted Threaded Tin Plated Board Lock
- BRJ-with (4-40) Riveted Threaded Tin Plated Board Lock and (4-40) Hex Jack Screws Installed
- R-with Round Riveted Jack Screws

Hex Jack Screws JS-1055 Recommended for BR Option.
(See page 38 for Dimensions).

Plating Options and Performance Specifications (see page 4)

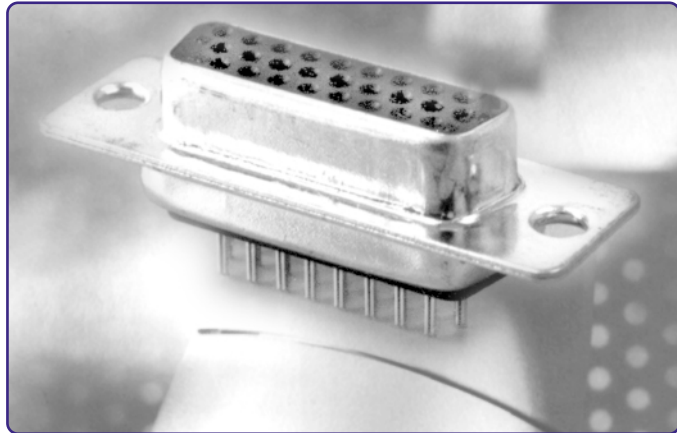
K85 Series Dimensions

Dimensions in mm [In]



Number of Contacts (Shell Size)	Dimensions (Inch/mm)				
	A	A1	B	C	D
9 (E)	.643 16.33	.666 16.92	.984 24.99	1.213 30.81	.755 19.18
15 (A)	.971 24.66	.994 25.25	1.312 33.32	1.541 39.14	1.083 27.51
25 (B)	1.511 38.38	1.534 38.96	1.852 47.04	2.088 53.04	1.614 41.00
37 (C)	2.159 54.84	2.182 55.42	2.500 63.50	2.729 69.32	2.272 57.71

A = Exterior of Female Shell (S)
A1 = Interior of Male Shell (P)



K86 Series High Density Vertical PCB Mount and Soldercup

Ordering Information

K86	-	E		D	-	15		S	-	K	
Series		Shell Size		Contact Construction		Number of Contacts		Contact Type		Mounting Options	Plating Options

Series

K86-Kycon High Density D-Subminiature Connector, Solder Cup or Vertical PCB Termination

Shell Size

E-15 Contacts
A-26 Contacts
B-44 Contacts
C-62 Contacts

Contact Construction

Designator	Contact Construction	Type of Termination
A	Precision Formed	Solder Cup
D	Precision Formed	Vertical Pin (PCB Mount)

Number of Contacts

15, 26, 44, 62

Contact Type

P-Pin Contact (Plug)
S-Socket Contact (Receptacle)

Mounting Options

K-with Riveted Threaded (4-40) Bushings
KJ-with Riveted Threaded (4-40) Bushings and (4-40) Hex Jack Screws Installed
BR-with (4-40) Riveted Threaded Tin Plated Board Lock
BRJ-with (4-40) Riveted Threaded Tin Plated Board Lock and (4-40) Hex Jack Screws Installed
R-with Round Riveted Jack Screws

Hex Jack Screws JS-1055 Recommended for BR Option.
(See page 38 for Dimensions.)

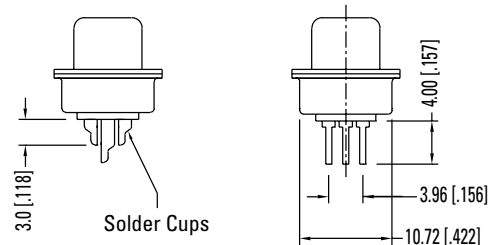
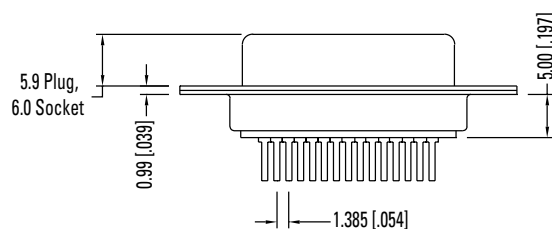
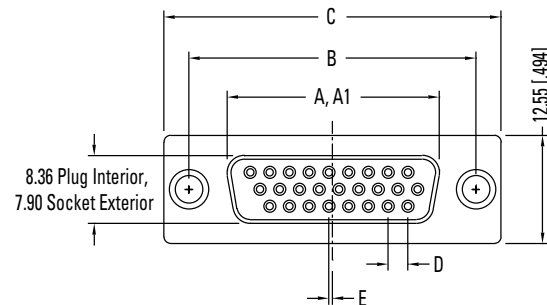
Plating Options and Performance Specifications (see page 4)

D-SUBMINIATURE CONNECTORS

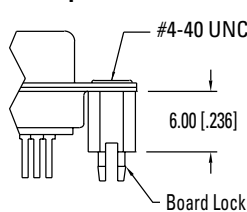
K86 Series

K86 Series Dimensions

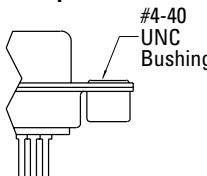
Dimensions in mm [In]



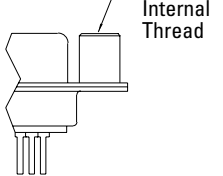
-BR Option



-K Option



-R Option



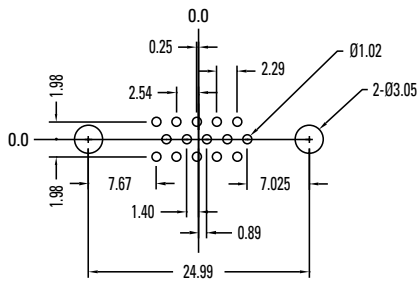
Number of Contacts (Shell Size)	Dimensions (Inch/mm)					
	A	A1	B	C	D	E
15 (E)	.643 16.33	.666 16.92	.984 24.99	1.213 30.81	.090 2.29	.010 0.25
26 (A)	.971 24.66	.994 25.25	1.312 33.32	1.541 39.14	.090 2.29	.020 0.51
44 (B)	1.511 38.38	1.534 38.96	1.852 47.04	2.088 53.04	.090 2.29	.020 0.51
62 (C)	2.159 54.84	2.182 55.42	2.500 63.50	2.729 69.32	.094 2.41	.023 0.58

A = Exterior of Female Shell (S)

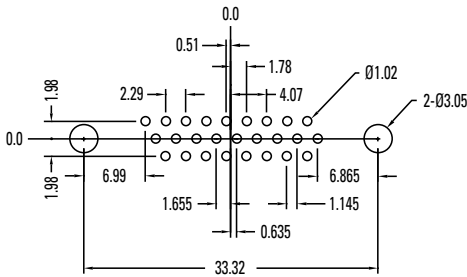
A1 = Interior of Male Shell (P)

K86 Series Dimensions

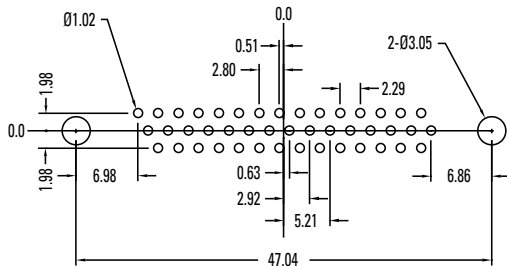
Dimensions in mm



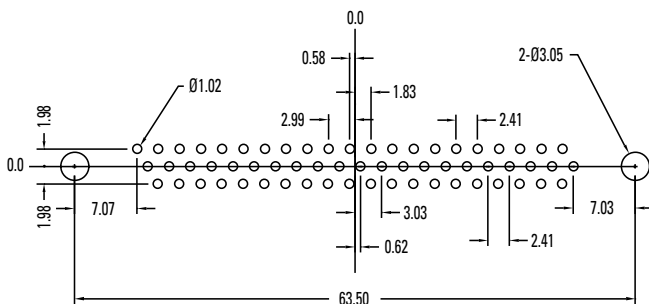
15 Position



26 Position



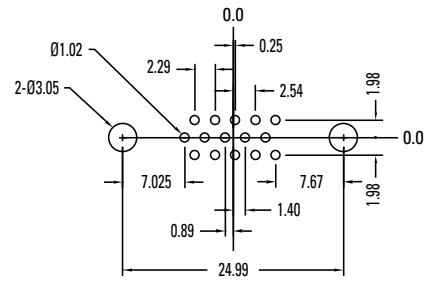
44 Position



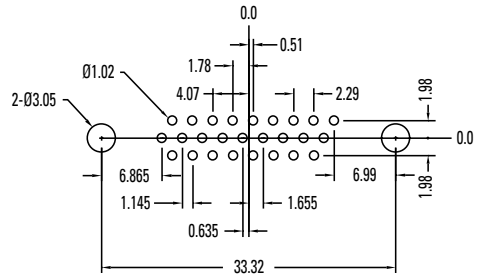
62 Position

(Socket Top View)

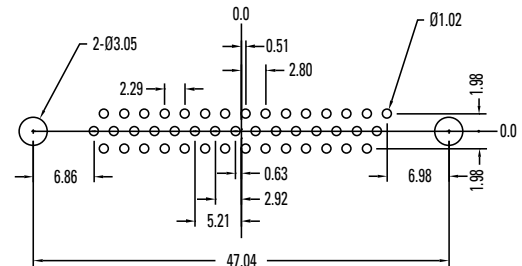
Recommended PCB Layouts



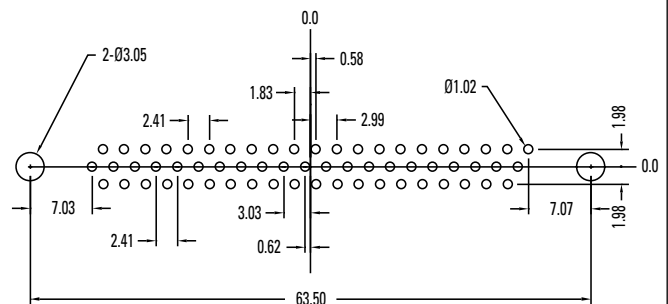
15 Position



26 Position



44 Position



62 Position

(Plug Top View)

Recommended PCB Layouts



K88 Series Vertical PCB Mount High Profile

Ordering Information

K88	-	B	F	-	25	S	-	BRBJ	30
Series		Shell Type	Pin Length		Number of Contacts	Contact Type		Mounting Options	Plating Options

Type

K88-Kycon D-Subminiature Connector Vertical PCB Termination, High Profile

Shell Size

- E-9 Contacts
- A-15 Contacts
- B-25 Contacts
- C-37 Contacts

Pin Length

- D-Precision Formed 3.80mm
- E-Precision Formed 5.20mm
- F-Precision Formed 7.20mm

Number of Contacts

9, 15, 25, 37

Contact Type

- P-Pin Contact (Plug)
- S-Socket Contact (Receptacle)

Mounting Options

- K-with (4-40) Bushings
- KJ-with (4-40) Bushings and (4-40) Hex Jack Screws
- BR-with (4-40) Tin Plated 11.00mm long Boardlocks
- BRJ-with (4-40) Tin Plated 11.00mm long Boardlocks and (4-40) Hex Jack Screws
- BRA-with (4-40) Tin Plated 12.70mm long Boardlocks
- BRAJ-with (4-40) Tin Plated 12.70mm long Boardlocks and (4-40) Hex Jack Screws
- BRB-with (4-40) Tin Plated 14.50mm long Boardlocks
- BRBJ-with (4-40) Tin Plated 14.50mm long Boardlocks and (4-40) Hex Jack Screws
- R-with Round Riveted Jack Screws

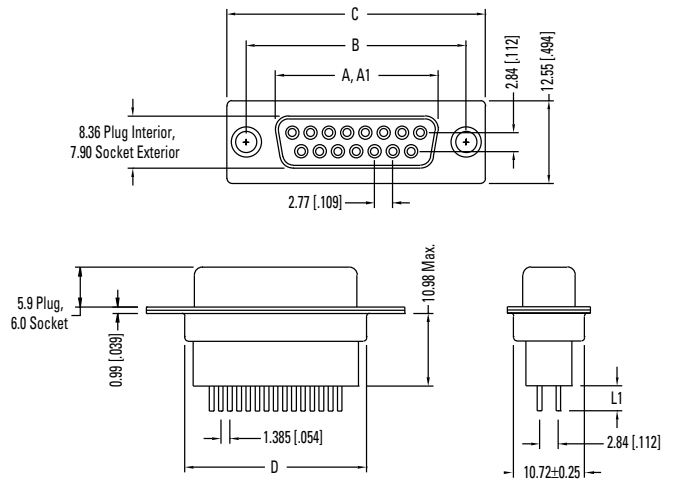
Plating Options and Performance Specifications (see page 4)

D-SUBMINIATURE CONNECTORS

K88 Series

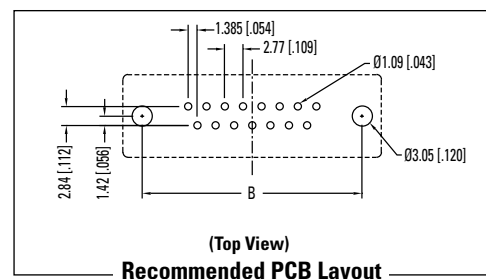
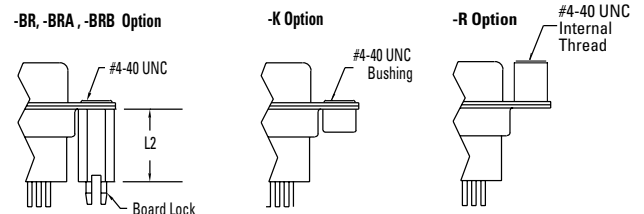
K88 Series Dimensions

Dimensions in mm [In]



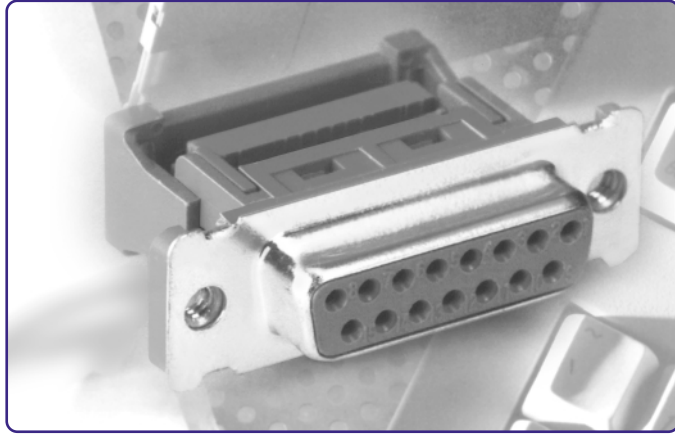
Recommended Pin Lengths and Board Locks

	Pin Length (L1)	Board Lock Type and Length (L2)
(D)	3.80mm	(BR) 11.00mm
(E)	5.20mm	(BRA) 12.70mm
(F)	7.20mm	(BRB) 14.50mm



Number of Contacts (Shell Size)	Dimensions (Inch/mm)				
	A	A1	B	C	D
9 (E)	.643 16.33	.666 16.92	.984 24.99	1.213 30.81	.755 19.18
15 (A)	.971 24.66	.994 25.25	1.312 33.32	1.541 39.14	1.083 27.51
25 (B)	1.511 38.38	1.534 38.96	1.852 47.04	2.088 53.04	1.614 41.00
37 (C)	2.159 54.84	2.182 55.42	2.500 63.50	2.729 69.32	2.272 57.71

A = Exterior of Female Shell (S)
A1 = Interior of Male Shell (P)



K99 Series IDC Termination D-Subminiature

Features



- Applications Include Computer Peripherals, Data Processing, Telecommunications, Industrial Controls and Local Area Networks
- Bright Tin Shells for Exceptional Conductivity, Grounding and EMI/RFI Shielding
- Indentations (Dimples) on Metal Plug Shells for Exceptional Grounding and Mating Retention
- Plastic Strain Relief Available Separately
- Flat Cable can be Connected to a Single Connector or Daisy Chained.
- Automatic Assembly Machine Compatible
- Design Meets the Requirements of MIL-C-24308, EIA RS-232 and RS-449.

Performance Specifications

Materials and Finish

Shell

K99 Series: Steel Material, Tin Finish
SR Series: PBT Thermoplastic



Contact Material

Pin: Brass .040 (1.02) Diameter
Socket: Phosphor Bronze

Contact Finish

0.000005 (0.000127) Gold on Contact Wiping Area, All Other Areas are 0.0001 (0.00254) Tin Over 0.0001 (0.00254) Nickel

Riveted Insert

Brass Material, Nickel Finish

D-SUBMINIATURE CONNECTORS

K99 Series

Mechanical Characteristics

Contact Separation Force

4 Oz. Min

Contact Engagement Force

9 Oz. Min

Electrical Characteristics

Contact Current Rating

1 Amp

Contact Resistance

8 Milliohms Max

Dielectric Withstanding Voltage

1000 V AC Min

Insulation Resistance

1000 Megohms Min

Temperature Rating

-55°C to +125°C

Wire Accommodation

Flat Cable or Discrete Wire 26 or 28 AWG Stranded or Solid, and 30 AWG Solid Wires on .050 (1.27) Centers

Ordering Information: Connector

K99	-	25	S	-	K	-	BLK
Series		Number of Contacts	Contact Type		Mounting Options		Color Options
Series							
K99 - KYCON IDC D-Subminiature Connector, Metal Construction							
Number of Contacts							
9, 15, 25, 37							
Contact Type							
P - Pin Contact (Plug) S - Socket Contact (Receptacle)							
Mounting Options							
K - With Riveted Threaded (4-40) Bushing Blank - No Mounting Hardware							
Color Option							
BLU: Blue Color BLK: Black Color							

Ordering Information: Strain Relief

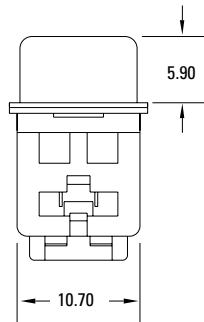
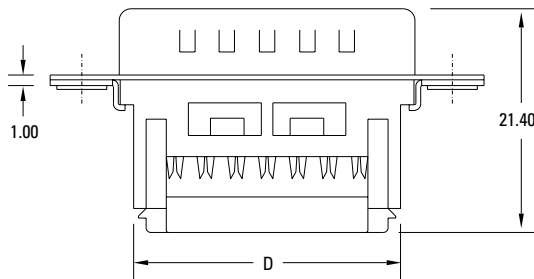
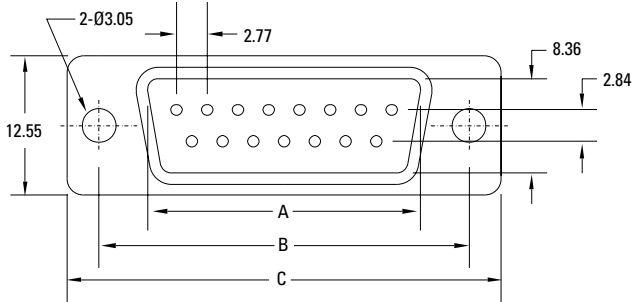
SR		25	-	BLK
Series		Number of Contacts		Color Options
Series				
SR-Plastic Strain Relief for K99 Series Connector*				
Number of Contacts				
9, 15, 25, 37				
Color Option				
BLU: Blue Color BLK: Black Color				

*Contact factory for specifications. 888-KYCON-22

K99 Series Dimensions

Dimensions in mm

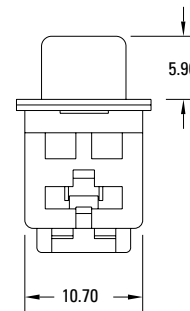
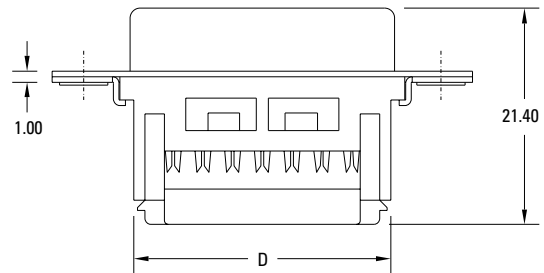
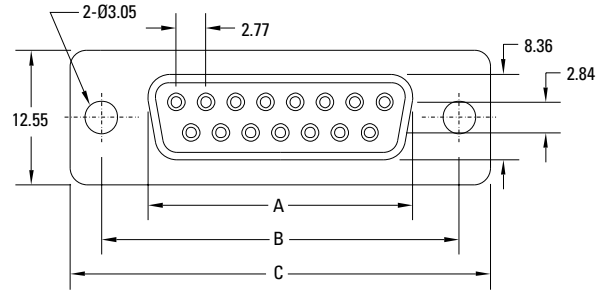
K99 Male



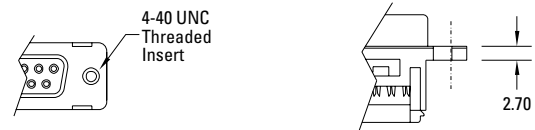
"K" Option



K99 Female



"K" Option



Dimensions (Inch/mm)				
Shell Size	A	B	C	D
9	.666	.984	1.213	.732
(E)	16.92	24.99	30.81	18.60
15	.994	1.312	1.539	1.047
(A)	24.25	33.32	39.10	26.60
25	1.534	1.852	2.090	1.610
(B)	38.96	47.04	53.09	40.90
37	2.183	2.500	2.732	2.248
(C)	55.45	63.50	69.40	57.10

Dimensions (Inch/mm)				
Shell Size	A	B	C	D
9	.643	.984	1.213	.732
(E)	16.33	24.99	30.81	18.60
15	.971	1.312	1.539	1.05
(A)	24.66	33.32	39.10	26.60
25	1.511	1.852	2.090	1.67
(B)	38.38	47.04	53.09	40.90
37	2.159	2.500	2.732	2.24
(C)	54.84	63.50	69.40	57.10

KYCON continues its leadership in D-Subs by offering a family of dual and multiport connectors.

Features:

- Applications include Computer Peripherals, Data Processing, Telecommunications, Industrial Controls, Local Area Networks, and Multimedia
- Variety of standard parts for greater versatility
- PC99 Colors Available
- Multiport connectors available with up to 3 D-Subs
- D-Subs designed for use on ATX motherboards
- Elevated D-sub for individual customization
- Dual port available with ferrite (see page 31)
- Different mounting options available
- Custom and semi-custom options available for specific customer applications
- Multiple Center to Center distances available
- UL Recognized File No. E140125
- CSA/NRTL Certified File No. LR78160



MULTIPORT D-SUBMINIATURE

Directory

Standard Dual Port Configurations

K42 22



Standard Multiport Configurations

K42-DB25 over DB9 23

K42-DB25 over HD15 24

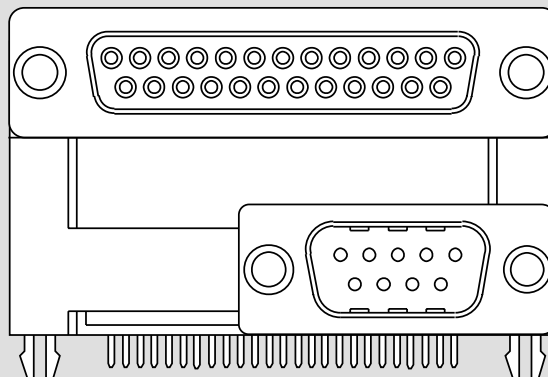
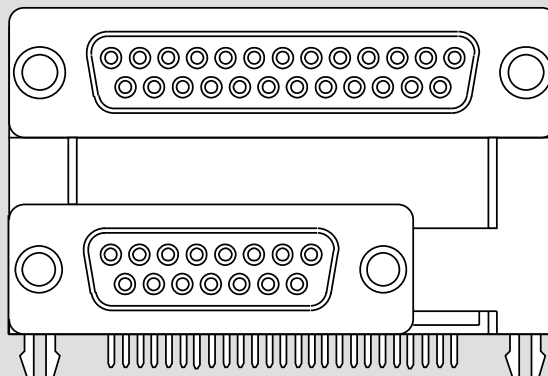
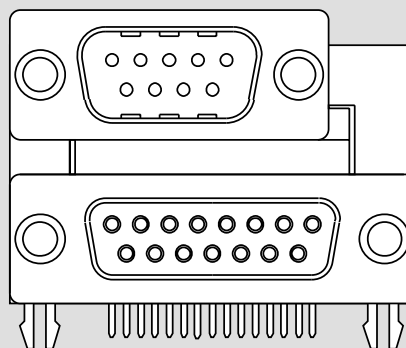
K42-DB9 over HD15 24

K42-HD15 over HD15 25

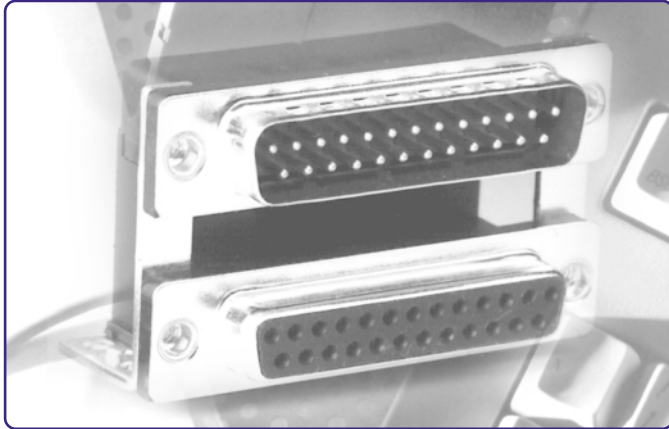
K42-DB25L over DB37 25

K42-DB25 over two DB9 26

K42-DB25 over HD15 and DB9 26



KYCON Tech Support: **1-888-KYCON-22**
or E-mail: sales@kycon.com



*K42 Series
Dual-Port D-Sub*

Ordering Information

K42	-	B	25	P	/	S	-	A	4N
Series	Shell	Number	Top	Bottom	Center	Mounting	Plating		
	Size	of	Connector	Connector	to Center	Options	Options		
		Contacts	Gender	Gender	Distance				

Series

K42 - Kycon Dual-Port D-Subminiature Connector

Shell Size

E - 9 Contacts

A - 15 Contacts

B - 25 Contacts

C - 37 Contacts

Number of Contacts Per Port

9, 15, 25, 37

Top Connector Gender

P - Pin Contact (Plug)

S - Socket Contact (Receptacle)

Bottom Connector Gender

P - Pin Contact (Plug)

S - Socket Contact (Receptacle)

Center to Center Distance

A - .750"

B - .900"

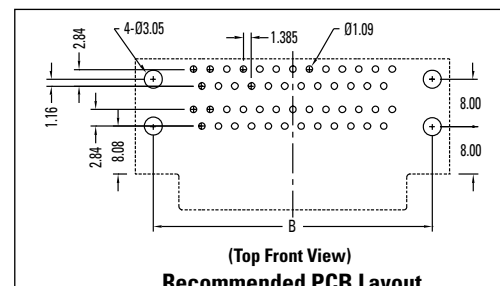
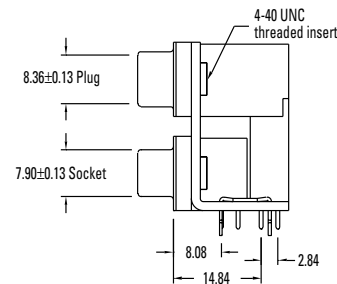
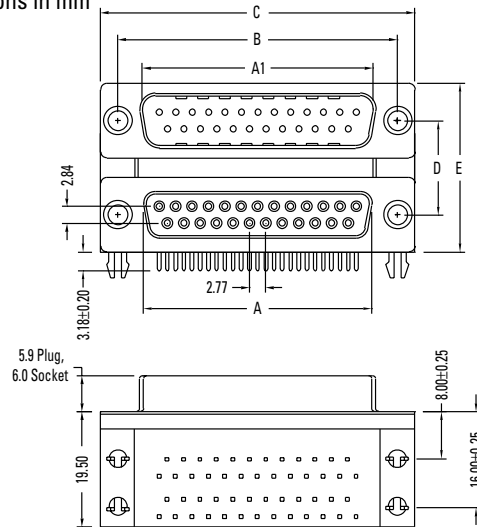
C - .625"

Mounting Options (see page 37)

Plating Options and Performance Specifications (see page 4)

K42 Series Dimensions

Dimensions in mm



(Top Front View)

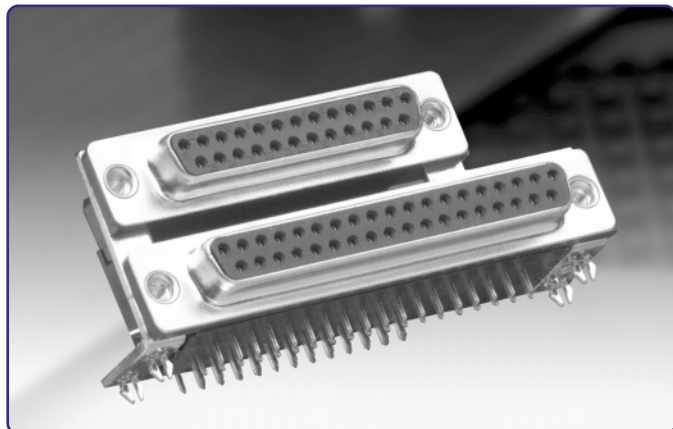
Recommended PCB Layout

Number of Contacts (Shell Size)	Dimensions (Inch/mm)			
	A	A1	B	C
9 (E)	.643 16.33	.666 16.92	.984 24.99	1.213 30.81
15 (A)	.971 24.66	.994 25.25	1.312 33.32	1.541 39.14
25 (B)	1.511 38.38	1.534 38.96	1.852 47.04	2.088 53.04
37 (C)	2.159 54.84	2.181 55.42	2.500 63.50	2.729 69.32

Center to Center Spacing	D	E
A	.750 19.05	1.244 31.60
B	.900 22.86	1.394 35.41
C	.625 15.88	1.119 28.42

A = Exterior of Female Shell (S)

A1 = Interior of Male Shell (P)



K42 Series Combination Multiport D-Subminiature

Ordering Information

K42-B25S/E9P-A4N	25 Pin Female over 9 Pin Male, .750" Center to Center Spacing
K42-B25S/E9P-B4N	25 Pin Female over 9 Pin Male, .900" Center to Center Spacing
K42-B25S/E9P-C4N	25 Pin Female over 9 Pin Male, .625" Center to Center Spacing
K42-B25S/E15S-A4N	25 Pin Female over 15 Pin High Density Female, .750" Center to Center Spacing
K42-B25S/E15S-B4N	25 Pin Female over 15 Pin High Density Female, .900" Center to Center Spacing
K42-B25S/E15S-C4N	25 Pin Female over 15 Pin High Density Female, .625" Center to Center Spacing
K42-E9P/E15S-A4N	9 Pin Male over 15 Pin Female High Density
K42-25/9-9-A4N	25 Pin Female over Two 9 Pin Males
K42-25/9-15-A4N	25 Pin Female over 9 Pin Male and 15 Pin High Density Female
K42-25/15-9-A4N	25 Pin Female over 15 Pin High Density Female and 9 Pin Male
K42-B25SL/C37S-C4N	Offset 25 Pin Female over 37 Pin Female
K42-E15S/S-A4N	15 Pin High Density Female over 15 Pin High Density Female

Plating Options

Designator	Plating Description
Standard	Gold flash over nickel on contacts. Tin/lead over nickel on soldertails.
15	15µ" gold over nickel on mating end of contacts. Tin/lead over nickel on soldertails.
30	30µ" gold over nickel on mating end of contacts. Tin/lead over nickel on soldertails.

Performance Specifications (see page 4)

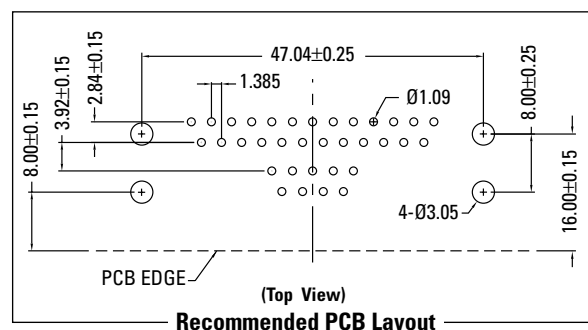
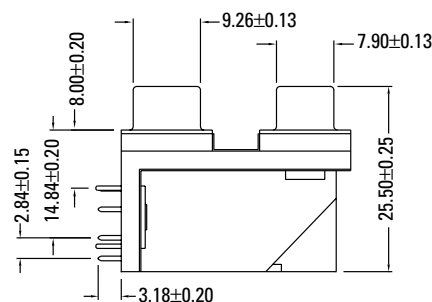
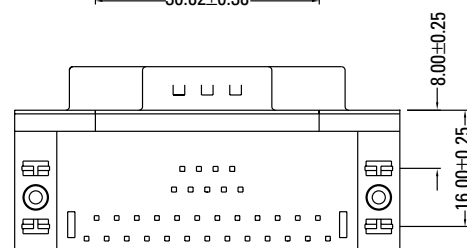
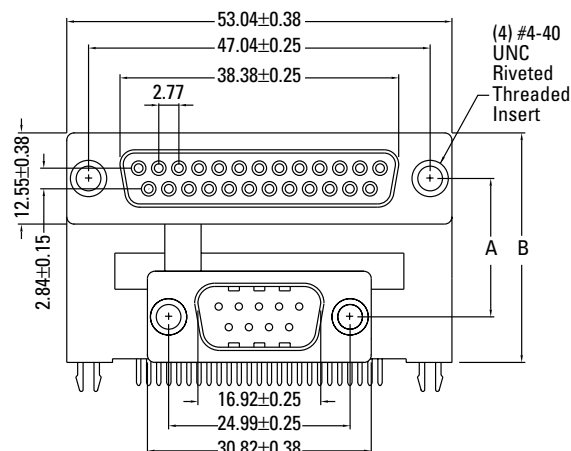
K42 Series Dimensions

Dimensions in mm

K42-B25S/E9P-A4N

K42-B25S/E9P-B4N

K42-B25S/E9P-C4N



Center to Center Spacing	Dimensions (Inch/mm)	
	A	B
A	.750/19.05	1.244/31.60
B	.900/22.86	1.394/35.41
C	.625/15.88	1.119/ 28.42

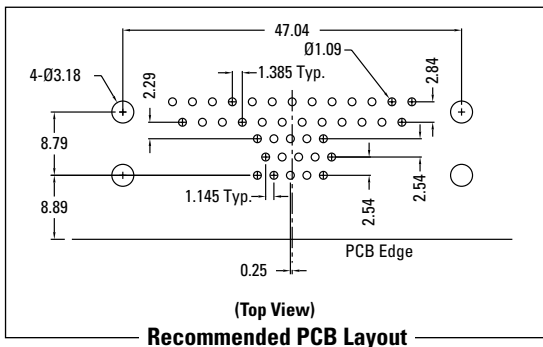
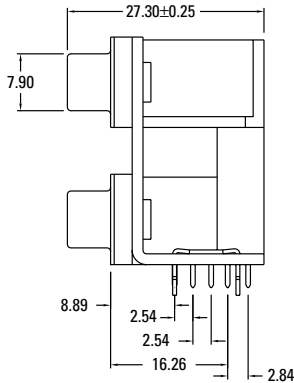
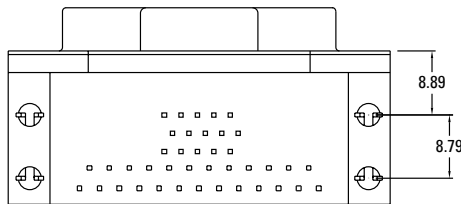
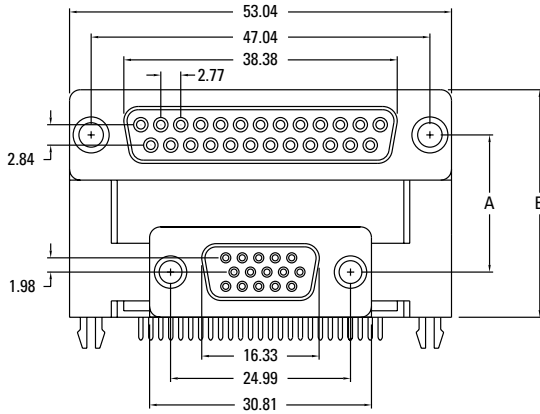
K42 Series Dimensions

Dimensions in mm

K42-B25S/E15S-A4N

K42-B25S/E15S-B4N

K42-B25S/E15S-C4N



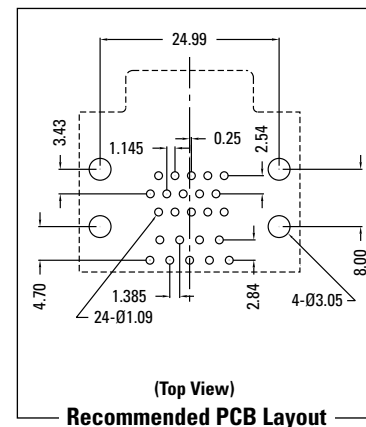
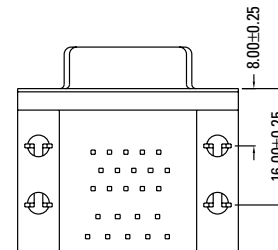
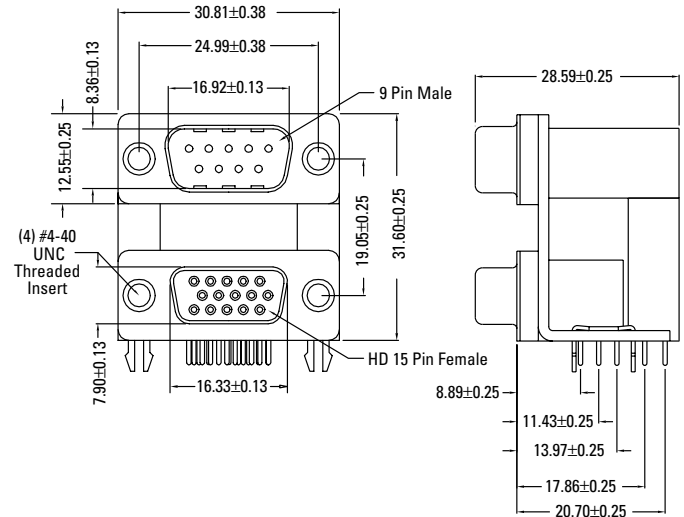
Dimensions (Inch/mm)		
Center to Center Spacing	A	B
A	.750 / 19.05	1.244 / 31.60
B	.900 / 22.86	1.394 / 35.41
C	.625 / 15.88	1.119 / 28.42

MULTIPOINT D-SUBMINIATURE

K42 Series

K42-E9P/E15S-A4N

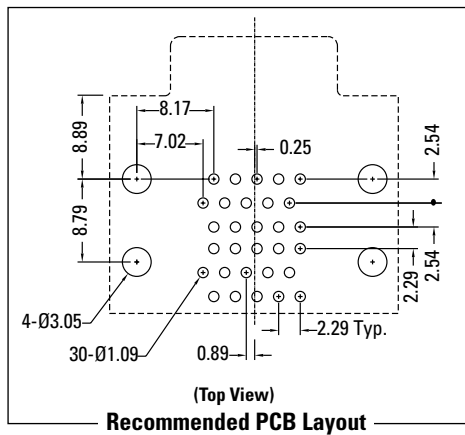
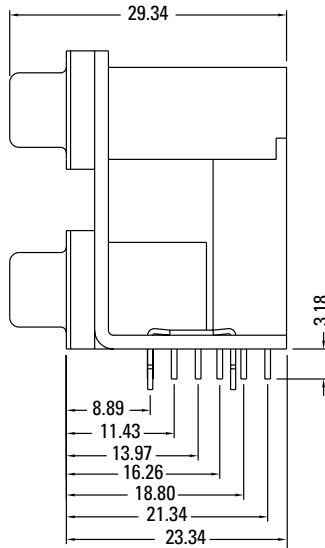
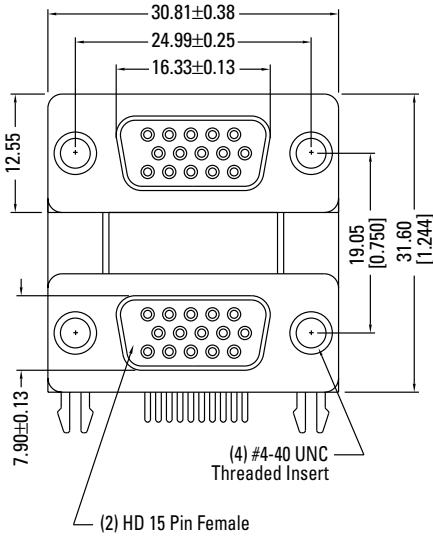
Dimensions in mm



K42 Series Dimensions

Dimensions in mm

K42-E15S/S-A4N

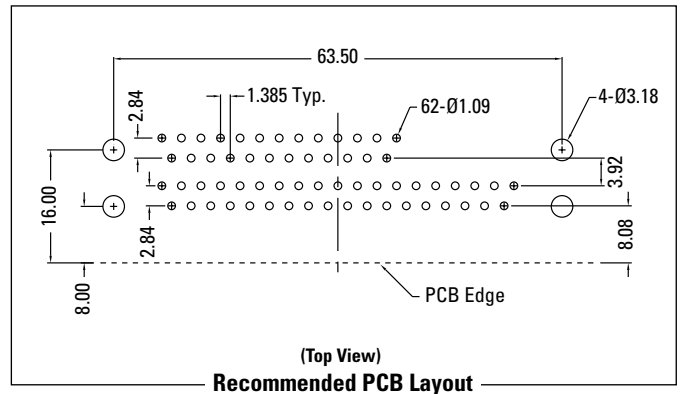
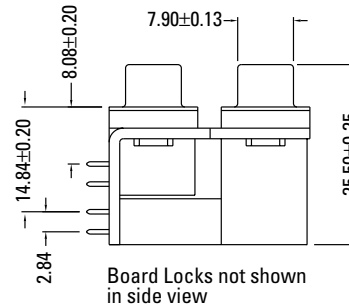
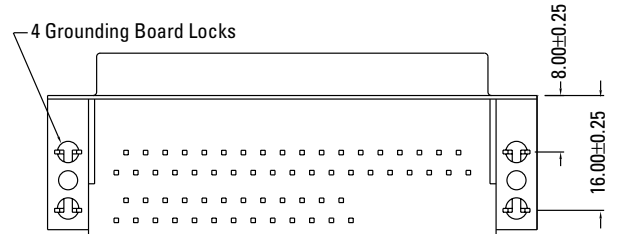
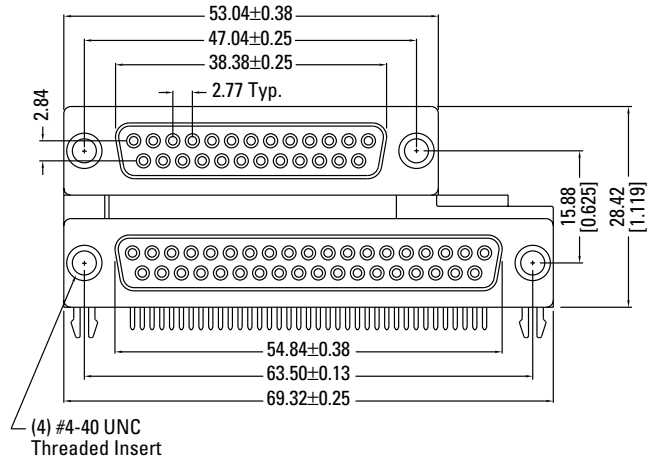


MULTIPOINT D-SUBMINIATURE

K42 Series

K42-B25SL/C37S-C4N

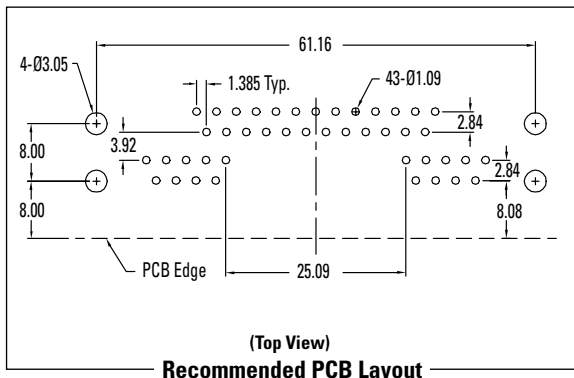
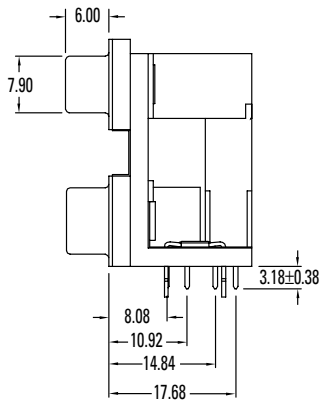
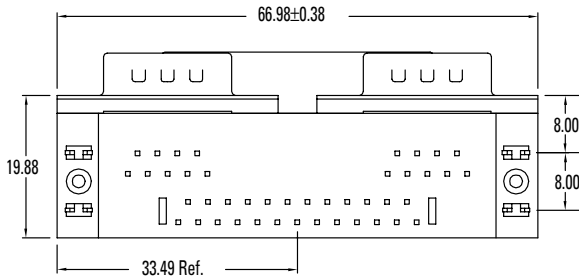
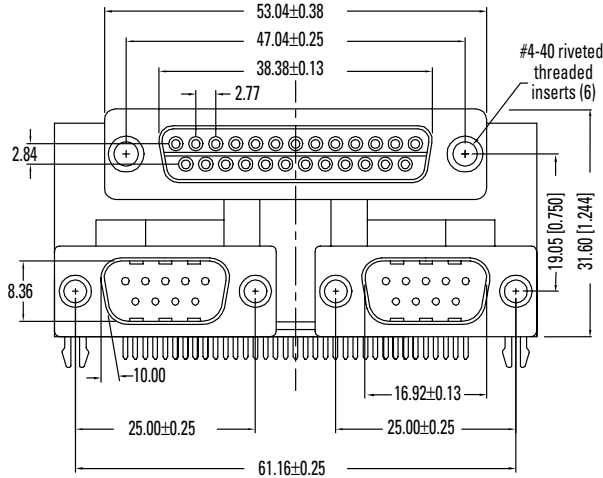
Dimensions in mm



K42 Series Dimensions

K42-25/9-9-A4N

Dimensions in mm

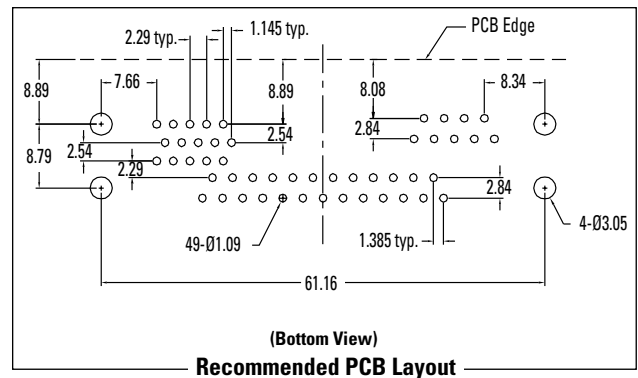
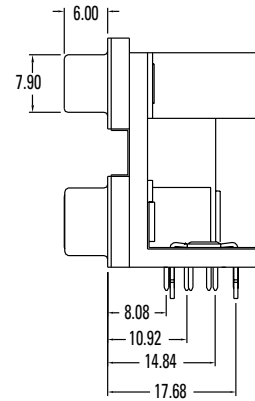
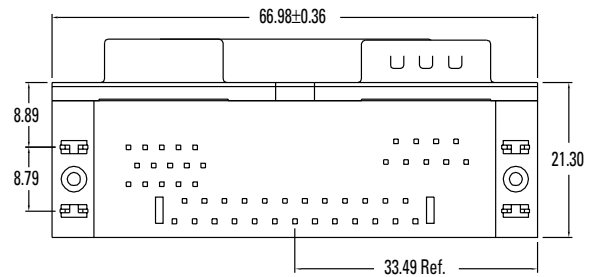
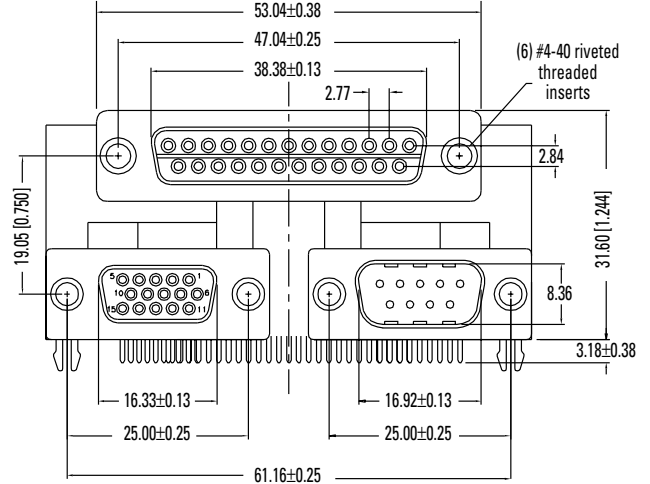


MULTIPOINT D-SUBMINIATURE

K42 Series

K42-25/15-9-A4N

Dimensions in mm



KYCON continues its leadership in Ferrite D-Subs by offering a complete line of styles, sizes, and pin configurations.

Features:

- Applications include Computer Peripherals, Data Processing, Telecommunications, Industrial Controls, and Local Area Networks
- High performance ferrite filter with superior high frequency attenuation characteristics
- Minimal effect on fundamental waveforms
- EMI/RFI noise suppression in data communication lines
- Cost effective way to meet FCC and VDE Class B requirements
- Does not require any more board space than a standard D-Sub
- No need to redesign board layout to accommodate separate filter placement
- UL Recognized File No. E140125



FERRITE D-SUBMINIATURE CONNECTORS

Directory

Right Angle

KF22 - 0.318" footprint	28
KF44 - 0.590" footprint	29
KF66 - High Density 0.350" footprint	30
KF42 - Dual Port	31



Vertical

KF85 - Low Profile	32
KF86 - High Density	33
KF88 - High Profile	34



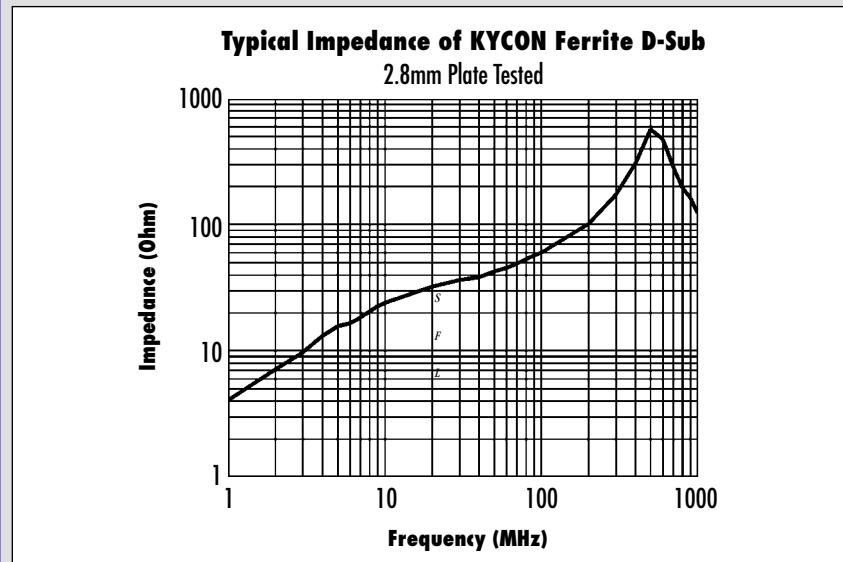
Technical Information:

Ferrite filters provide an easy and efficient way of reducing both radiated and conducted interference. KYCON uses a medium permeability nickel zinc ferrite material that is most effective at attenuating frequencies above 30MHz.

$$Attenuation = 20 \log_{10} \frac{[Z_s + Z_f + Z_L]}{[Z_s + Z_L]} \text{ dB}$$

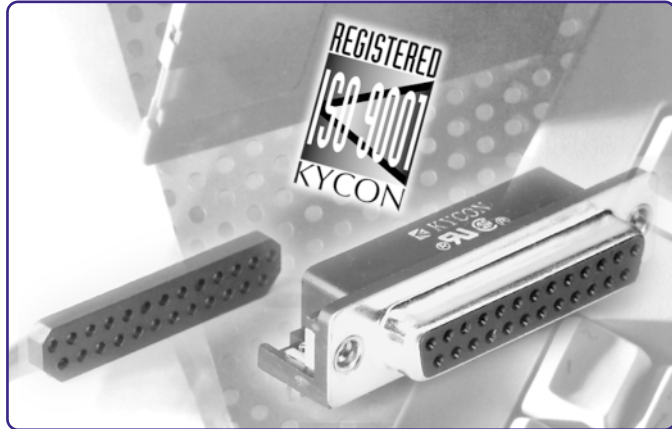
Where Z_s = Source Impedance
 Z_f = Ferrite Impedance
 Z_L = Load Impedance

With the above impedance values calculated at the interference frequency.



The above chart is typical performance data for a 2.8mm thick ferrite plate at room temperature. Impedance will be reduced by increased temperature (down approx. 15% at 100°C at 25MHz) and by increased DC bias (down approx. 15% at 1 amp at 25MHz). Also, impedance varies with ferrite thickness. Please contact our technical support for data specific to your application.

KYCON Tech Support: **1-888-KYCON-22**
 or E-mail: sales@kycon.com



KF22 Series Right Angle PCB Mount .318" Footprint with Ferrite

Ordering Information

KF22	-	B	25	S	-	N	
Series		Shell Size	Number of Contacts	Contact Type		Mounting Options	Plating Options
Series							
KF22 - Kycon D-Subminiature Connector, Right Angle PCB Termination, .318 Footprint, with Ferrite							
Shell Size							
E - 9 Contacts							
A - 15 Contacts							
B - 25 Contacts							
C - 37 Contacts							
Number of Contacts							
9, 15, 25, 37							
Contact Type							
P - Pin Contact (Plug)							
S - Socket Contact (Receptacle)							
Mounting Options (see page 35)							
Plating Options and Performance Specifications (see page 4)							

Ferrite Specifications

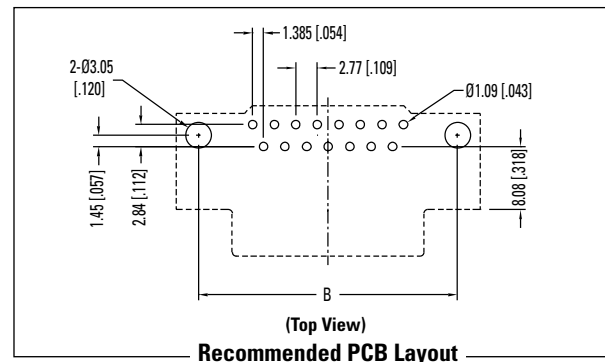
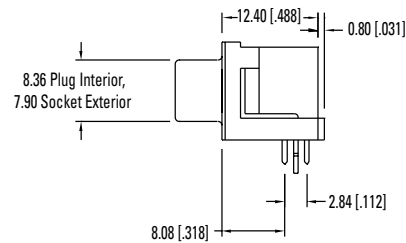
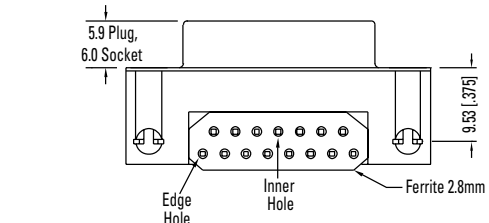
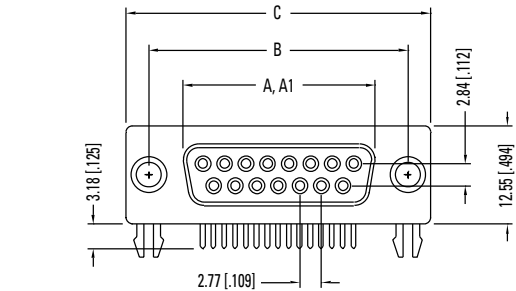
Test Frequency	Edge Hole	Inner Hole
30 MHz	17-27 Ohms	22-30 Ohms
50 MHz	22-30 Ohms	29-37 Ohms
100 MHz	29-34 Ohms	35-40 Ohms

FERRITE D-SUBMINIATURE

KF22 Series

KF22 Series Dimensions

Pictured with Board Lock Option, Dimensions in mm [In]



Shell Size	In mm	A	A1	B	C
		±.010 ±0.25	±.010 ±0.25	±.005 ±0.13	±.015 ±0.38
9 (E)		.643 16.33	.666 16.92	.984 24.99	1.213 30.81
15 (A)		.971 24.66	.994 25.25	1.312 33.32	1.541 39.14
25 (B)		1.511 38.38	1.534 38.96	1.852 47.04	2.088 53.04
37 (C)		2.159 54.84	2.182 55.42	2.500 63.50	2.729 69.32

A = Exterior of Female Shell (S)
A1 = Interior of Male Shell (P)



KF44 Series Right Angle PCB Mount .590" Footprint with Ferrite

Ordering Information

KF44	-	B	25	S	-	P
Series	Shell Size	Number of Contacts	Contact Type	Mounting Options	Plating Options	
Series	KF44 - Kycon D-Subminiature Connector, Right Angle PCB Termination, .590 Footprint, with Ferrite					
Shell Size	E-9 Contacts A-15 Contacts B-25 Contacts C-37 Contacts					
Number of Contacts	9, 15, 25, 37					
Contact Type	P-Pin Contact (Plug) S-Socket Contact (Receptacle)					
Mounting Options	(see page 36)					
Plating Options and Performance Specifications	(see page 4)					

Ferrite Specifications

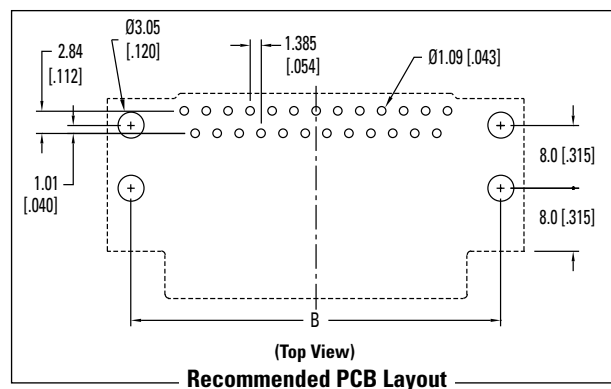
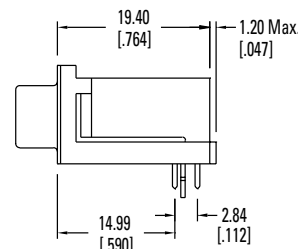
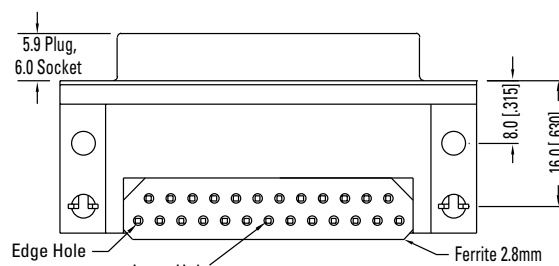
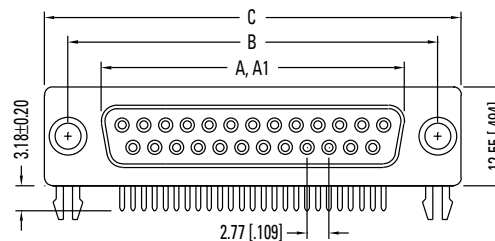
Test Frequency	Edge Hole	Inner Hole
30 Mhz	17-27 Ohms	22-30 Ohms
50 Mhz	22-30 Ohms	29-37 Ohms
100 Mhz	29-34 Ohms	35-40 Ohms

FERRITE D-SUBMINIATURE

KF44 Series

KF44 Series Dimensions

Pictured with Board Lock Option, Dimensions in mm [In]



Shell Size	A	AI	B	C
	$\pm .010$ ± 0.25	$\pm .010$ ± 0.25	$\pm .005$ ± 0.13	$\pm .015$ ± 0.38
9 (E)	.643 16.33	.666 16.92	.984 24.99	1.213 30.81
15 (A)	.971 24.66	.994 25.25	1.312 33.32	1.541 39.14
25 (B)	1.511 38.38	1.534 38.96	1.852 47.04	2.088 53.04
37 (C)	2.159 54.84	2.182 55.42	2.500 63.50	2.729 69.32

A = Exterior of Female Shell (S)
AI = Interior of Male Shell (P)



KF66 Series High Density Right Angle PCB Mount with Ferrite

Ordering Information

KF66	-	E	15	S	-	N
Series	Shell Size	Number of Contacts	Contact Type	Mounting Options	Plating Options	
Series						
KF66 - Kycon High Density D-Subminiature Connector, Right Angle PCB Termination, .350 Footprint, with Ferrite						
KF66 - VESA - Contact factory for Specifications						
Shell Size, Number of Contacts						
E-15 Contacts						
A-26 Contacts						
B-44 Contacts						
C-62 Contacts						
Contact Type						
P-Pin Contact (Plug)						
S-Socket Contact (Receptacle)						
Mounting Options (see page 35)						
Plating Options and Performance Specifications (see page 4)						

Ferrite Specifications

Test Frequency	Outer Row	Inner Row
30 Mhz	20-23 Ohms	31-38 Ohms
50 Mhz	24-27 Ohms	37-43 Ohms
100 Mhz	29-31 Ohms	41-48 Ohms

Please see page 9 for recommended PCB layouts.

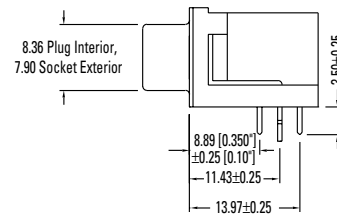
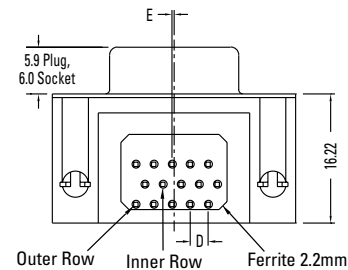
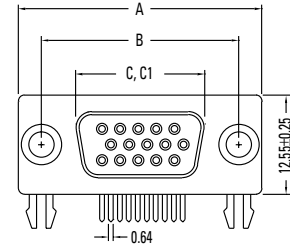
Note: Please check D and E dimensions on 62 contacts.

FERRITE D-SUBMINIATURE

KF66 Series

KF66 Series Dimensions

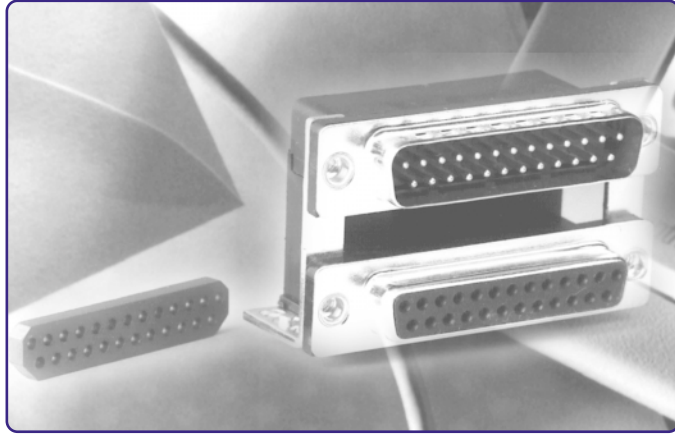
Pictured with Board Lock Option, Dimensions in mm [In]



Shell Size	A	B	C	C1	D	E
	In	In	In	In	In	In
15 (E)	± .015 ± 0.38	± .005 ± 0.13	± .010 ± 0.25	± .010 ± 0.25	± .005 ± 0.13	± .005 ± 0.13
26 (A)	1.213 30.81	.984 24.99	.643 16.33	.666 16.92	.090 2.29	.010 0.25
44 (B)	1.541 39.14	1.312 33.32	.971 24.66	.994 25.25	.090 2.29	.020 0.51
62 (C)	2.088 53.04	1.852 47.04	1.511 38.38	1.534 38.96	.090 2.29	.020 0.51
	2.729 69.32	2.500 63.50	2.159 54.84	2.182 55.42	.095 2.41	.023 0.58

C = Exterior of Female Shell (S)

C1 = Interior of Male Shell (P)



KF42 Series Dual Port D-Sub with Ferrite

Ordering Information

KF42	- B	25	S	/	S	- A	4N
Series	Shell Size	Number of Contacts	Top Connector Gender		Bottom Connector Gender	Center to Center Distance	Mounting Options Plating Options

Series

KF42-Kycon Dual-Port D-Subminiature Connector with Ferrite

Shell Size

- E-9 Contacts
- A-15 Contacts
- B-25 Contacts
- E-15 Contacts (High Density)

Number of Contacts Per Port

9, 15, 25

Top Connector Gender

- P-Pin Contact (Plug)
- S-Socket Contact (Receptacle)

Bottom Connector Gender

- P-Pin Contact (Plug)
- S-Socket Contact (Receptacle)

Center to Center Distance (D Dimension)

- A-.750"
- B-.900"
- C-.625"

Mounting Options (see page 37)

Plating Options and Performance Specifications (see page 4)

Ferrite Specifications

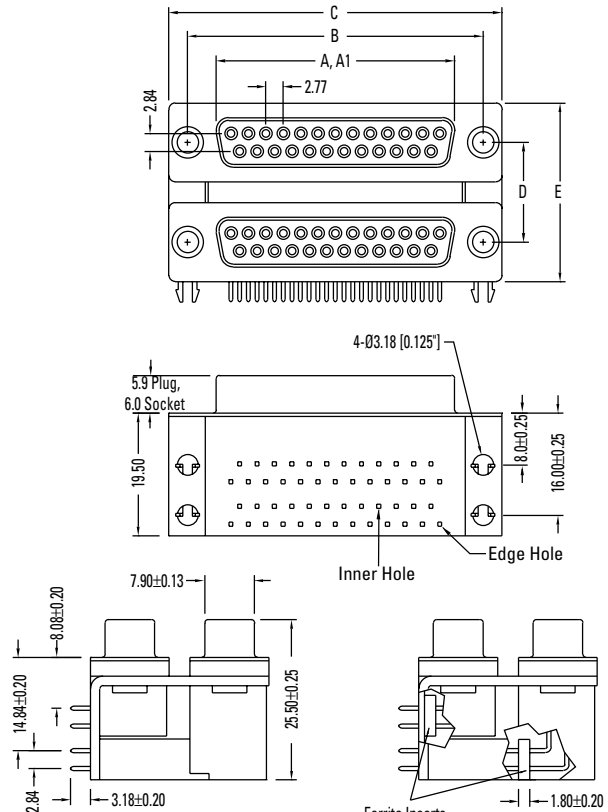
Test Frequency	Edge Hole	Inner Hole
30 Mhz	17-27 Ohms	22-30 Ohms
50 Mhz	22-30 Ohms	29-37 Ohms
100 Mhz	29-34 Ohms	35-40 Ohms

FERRITE D-SUBMINIATURE

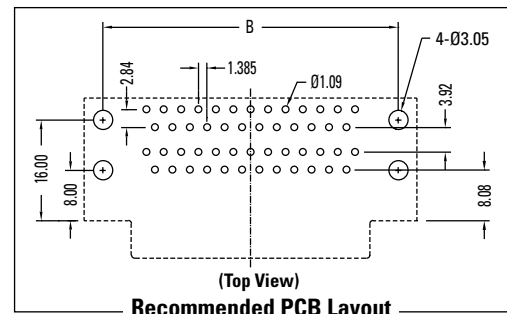
KF42 Series

KF42 Series Dimensions

Pictured with Board Lock Option, Dimensions in mm [In]



Optional grounding brackets not shown in side views.



Number of Contacts (Shell Size)	Dimensions (Inch/mm)			
	A	A1	B	C
9 (E)	.643	.666	.984	1.213
	16.33	16.92	24.99	30.81
15 (A)	.971	.994	1.312	1.541
	24.66	25.25	33.32	39.14
25 (B)	1.511	1.534	1.852	2.088
	38.38	38.96	47.04	53.04

Center to Center Spacing	D	E
A	.750	1.244
	19.05	31.60
B	.900	1.394
	22.86	35.41
C	.625	1.119
	15.88	28.42

A = Exterior of Female Shell (S)

A1 = Interior of Male Shell (P)



KF85 Series Vertical PCB Mount Low Profile with Ferrite High Frequency EMI/RFI Suppression

Ordering Information

KF85	- B	D	- 25	S	- K	
Series	Shell Size	Contact Construction	Number of Contacts	Contact Type	Mounting Options	Plating

Series

KF85-Kycon D-Subminiature Connector, Vertical PCB Termination with Ferrite

Shell Size

E-9 Contacts
A-15 Contacts
B-25 Contacts
C-37 Contacts

Contact Construction

D-Precision Formed

Number of Contacts

9, 15, 25, 37

Contact Type

P-Pin Contact (Plug)
S-Socket Contact (Receptacle)

Mounting Options

K-with Riveted Threaded (4-40) Bushings
KJ-with Riveted Threaded (4-40) Bushings and (4-40) Hex Jack Screws Installed
BR-with (4-40) Riveted Threaded Tin Plated Board Lock
BRJ-with (4-40) Riveted Threaded Tin Plated Board Lock and (4-40) Hex Jack Screws Installed
R-with Round Riveted Jack Screws

Hex Jack Screws JS-1055 Recommended for BR Option.
See page 38 for Dimensions.

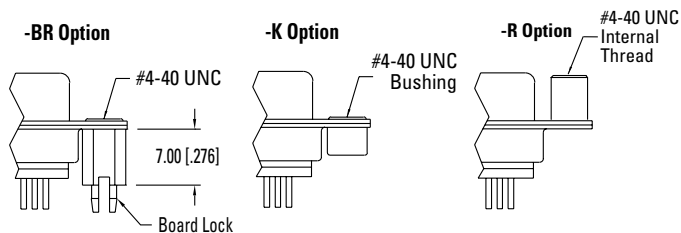
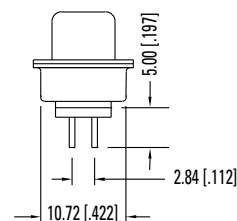
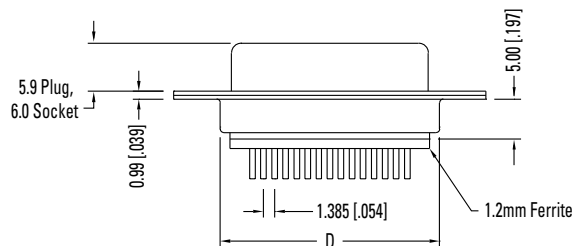
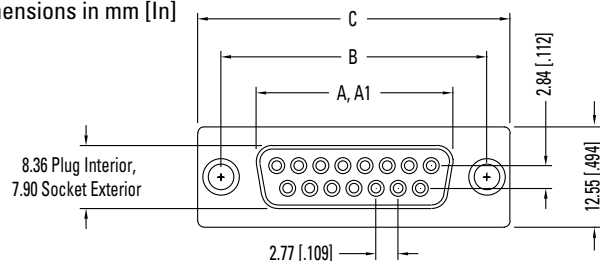
Plating Options and Performance Specifications (see page 4)

FERRITE D-SUBMINIATURE

KF85 Series

KF85 Series Dimensions

Dimensions in mm [In]



Ferrite Specifications

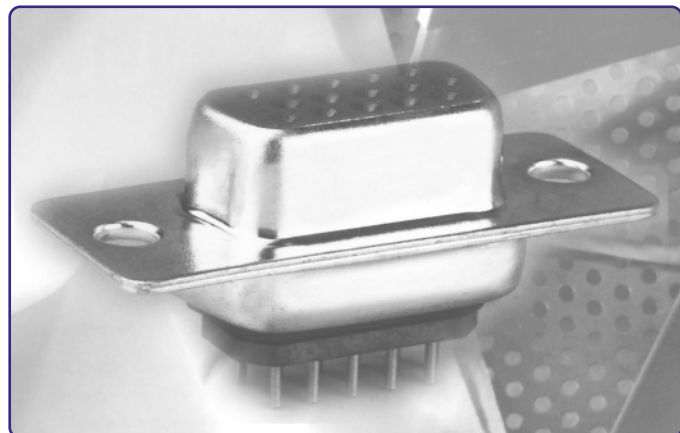
Test Frequency	Edge Hole	Inner Hole
30 Mhz	10-14 Ohms	13-17 Ohms
50 Mhz	12-18 Ohms	15-19 Ohms
100 Mhz	15-20 Ohms	19-24 Ohms

Number of Contacts (Shell Size)	Dimensions (Inch/mm)				
	A	A1	B	C	D
9 (E)	.643 16.33	.666 16.92	.984 24.99	1.213 30.81	.755 19.18
15 (A)	.971 24.66	.994 25.25	1.312 33.32	1.541 39.14	1.083 27.51
25 (B)	1.511 38.38	1.534 38.96	1.852 47.04	2.088 53.04	1.614 41.00
37 (C)	2.159 54.84	2.182 55.42	2.500 63.50	2.729 69.32	2.272 57.71

See K85 series for recommended PCB layout (page 15).

A = Exterior of Female Shell (S)

A1 = Interior of Male Shell (P)



KF86 Series Vertical PCB Mount High Density with Ferrite High Frequency EMI/RFI Suppression

Ordering Information

KF86	- E	D	- 15	S	- K	
Series	Shell Size	Contact Construction	Number of Contacts	Contact Type	Mounting Options	Plating Options

Series

KF86 - Kycon High Density D-Subminiature Connector, Vertical PCB Termination with Ferrite

Shell Size

E - 15 Contacts
A - 26 Contacts
B - 44 Contacts

Contact Construction

D - Precision Formed

Number of Contacts

15, 26, 44

Contact Type

P - Pin Contact (Plug)
S - Socket Contact (Receptacle)

Mounting Options

K - with Riveted Threaded (4-40) Bushings
KJ - with Riveted Threaded (4-40) Bushings and (4-40) Hex Jack Screws Installed
BR - with (4-40) Riveted Threaded Tin Plated Board Lock
BRJ - with (4-40) Riveted Threaded Tin Plated Board Lock and (4-40) Hex Jack Screws Installed
R-with Round Riveted Jack Screws

Hex Jack Screws JS-1055 Recommended for BR Option.
See page 38 for Dimensions .

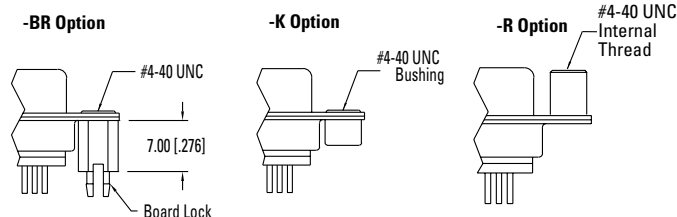
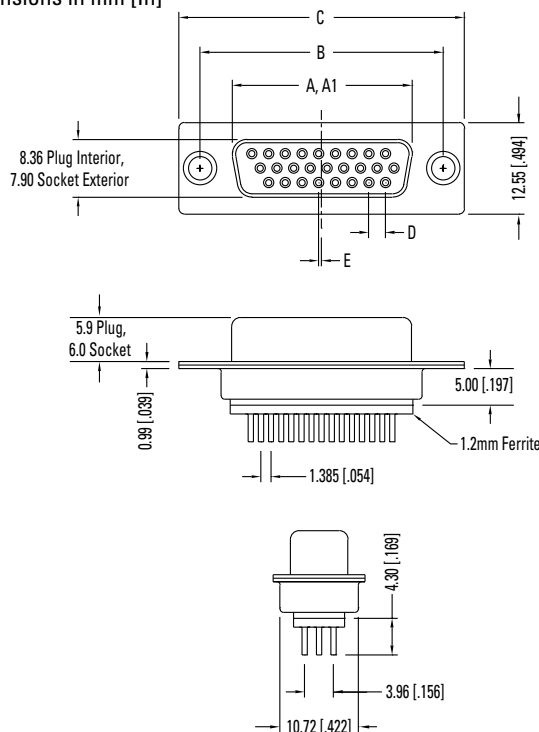
Plating Options and Performance Specifications (see page 4)

FERRITE D-SUBMINIATURE

KF86 Series

KF86 Series Dimensions

Dimensions in mm [In]



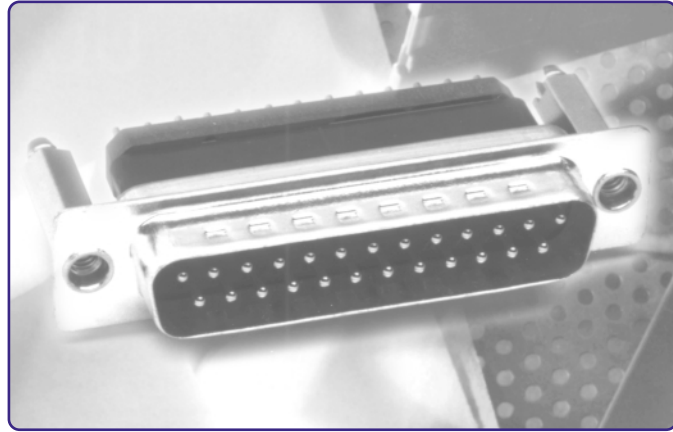
Ferrite Specifications

Test Frequency	Outer Row	Inner Row
30 Mhz	10-14 Ohms	13-17 Ohms
50 Mhz	12-18 Ohms	15-19 Ohms
100 Mhz	15-20 Ohms	19-24 Ohms

Number of Contacts (Shell Size)	Dimensions (Inch/mm)					
	A	A1	B	C	D	E
15 (E)	.643 16.33	.666 16.92	.984 24.99	1.213 30.81	.090 2.29	.010 0.25
26 (A)	.971 24.66	.994 25.25	1.312 33.32	1.541 39.14	.090 2.29	.020 0.51
44 (B)	1.511 38.38	1.534 38.96	1.852 47.04	2.088 53.04	.090 2.29	.020 0.51

See K86 series for recommended PCB layout (page 17).

A = Exterior of Female Shell (S)
A1 = Interior of Male Shell (P)



KF88 Series Vertical PCB Mount High Profile with Ferrite High Frequency EMI/RFI Suppression

Ordering Information

KF88	-	B		D	-	25		S	-	K		T
Series		Shell Size		Contact Construction		Number of Contacts		Contact Type		Mounting Options		Plating Options

Series

KF88-Kycon D-Subminiature Connector Vertical PCB Termination, High Profile with Ferrite

Shell Size

E-9 Contacts
A-15 Contacts
B-25 Contacts
C-37 Contacts

Contact Construction

D-Precision Formed

Number of Contacts

9, 15, 25, 37

Contact Type

P-Pin Contact (Plug)
S-Socket Contact (Receptacle)

Mounting Options

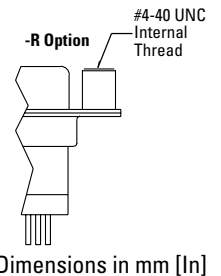
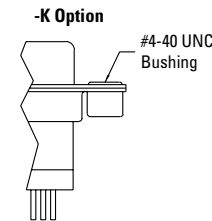
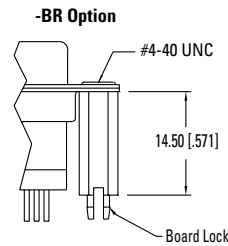
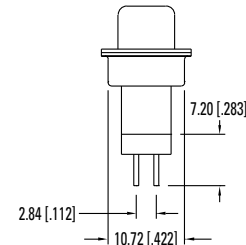
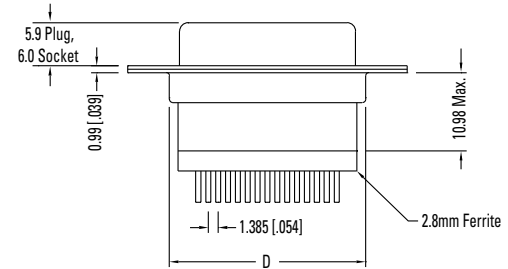
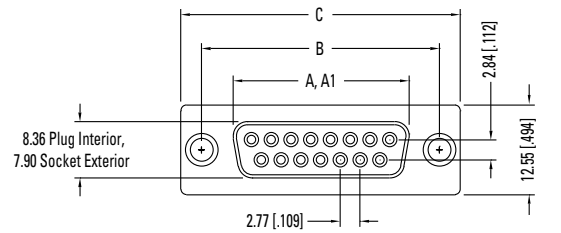
K-with Riveted Threaded (4-40) Bushings
KJ-with Riveted Threaded (4-40) Bushings and (4-40) Hex Jack Screws Installed
BR-with (4-40) Riveted Threaded Tin Plated Board Lock
BRJ-with (4-40) Riveted Threaded Tin Plated Board Lock and (4-40) Hex Jack Screws Installed
R-with Round Riveted Jack Screws

Plating Options and Performance Specifications (see page 4)

FERRITE D-SUBMINIATURE

KF88 Series

KF88 Series Dimensions



Number of Contacts (Shell Size)	Dimensions (Inch/mm)				
	A	A1	B	C	D
9 (E)	.643 16.33	.666 16.92	.984 24.99	1.213 30.81	.755 19.18
15 (A)	.971 24.66	.994 25.25	1.312 33.32	1.541 39.14	1.083 27.51
25 (B)	1.511 38.38	1.534 38.96	1.852 47.04	2.088 53.04	1.614 41.00
37 (C)	2.159 54.84	2.182 55.42	2.500 63.50	2.729 69.32	2.272 57.71

Ferrite Specifications

Test Frequency	Edge Hole	Inner Hole
30 Mhz	17-27 Ohms	22-30 Ohms
50 Mhz	22-30 Ohms	29-37 Ohms
100 Mhz	29-34 Ohms	35-40 Ohms

See K88 series for recommended PCB layout (page 18).

A = Exterior of Female Shell (S)

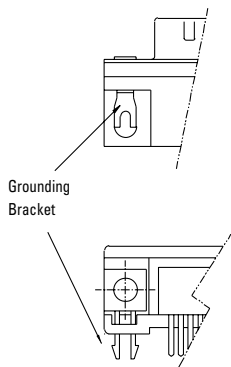
A1 = Interior of Male Shell (P)

Mounting Options
K22, KF22,
K66, KF66

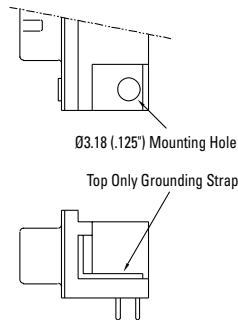
Front Panel Mounting Options	PCB Mounting Options			
	Grounding Board Locks	Top Only Grounding Straps with Non-Threaded .125" Diameter Mounting Holes	Wrap Around Grounding Straps with Non-Threaded .125" Diameter Mounting Holes (K22/KF22/Only)	4 Prong Board Locks
Riveted Threaded Inserts	N	H	O	NV
Riveted Threaded Inserts with 4-40 Hex. Jack Screws Installed	NJ	HJ	OJ	NVJ
4-40 Round Jackscrews Riveted to Connector	NR	HR	OR	NVR
Non-Threaded Riveted Inserts	NT	HT	OT	NVT
Riveted Threaded Inserts with M3/4-40 Hex. Jack Screws Installed	NJM	HJM	OJM	NVJM

PC Board Mounting Options

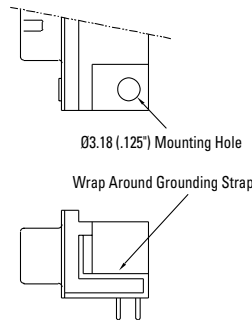
N Option



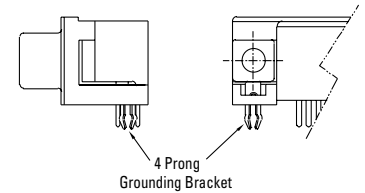
H Option



O Option



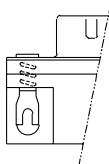
NV Option



Front Panel Mounting Options

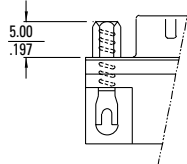
Standard

(4-40) Riveted Threaded Insert



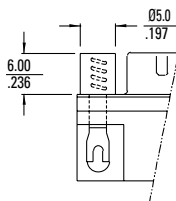
-J Option

(4-40) Riveted Threaded Insert with 4-40 Hex. JS1000 Jack Screws Installed to Connector



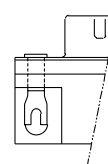
-R Option

(4-40) Round Jack Screws Riveted to Connector



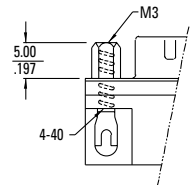
-T Option

Riveted Non-Threaded Insert 3.18/.125" Dia.



-JM Option

(4-40) Riveted Threaded Insert with M3/4-40 Hex. JS-M3131 Jack Screws Installed to Connector

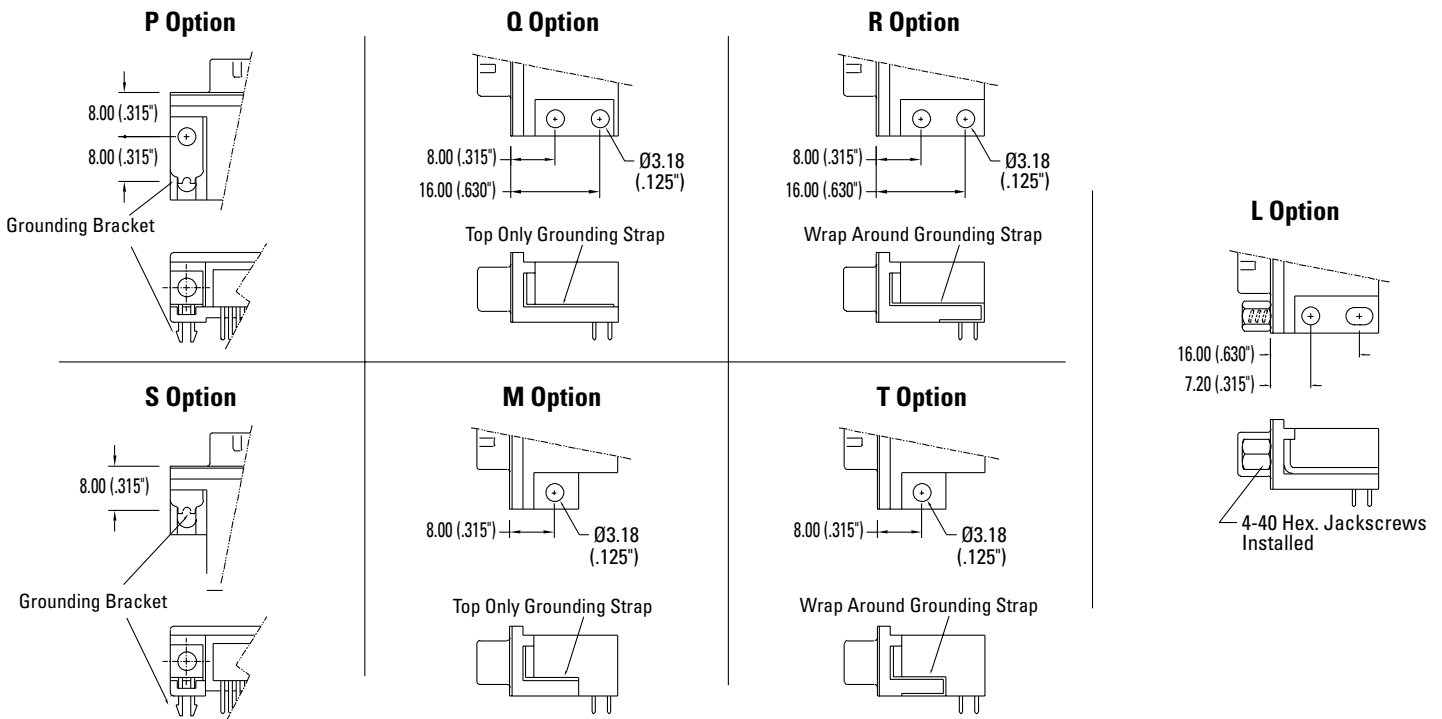


Mounting Options K44, KF44

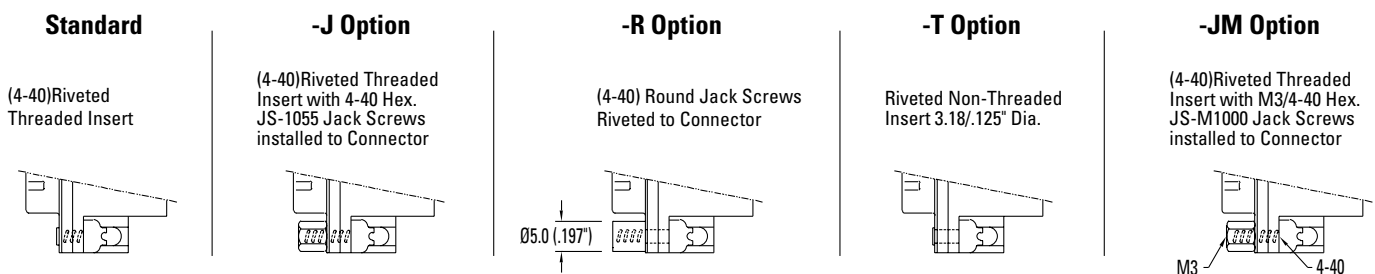
Front Panel Mounting Options	PCB Mounting Options						
	Both .125" Diameter and Oblong Non-Threaded Mounting Holes and 4-40 Hex. Jack Screws Assembled to Connector	Board Locks and .125" Diameter Mounting Holes	Top Only Grounding Straps with Non-Threaded .125" Diameter Mounting Holes	Wrap Around Grounding Straps with Non-Threaded .125" Diameter Mounting Holes	Short Mounting Flange with Board Locks	Short Mounting Flange Top Only Grounding Straps with Non-Threaded .125" Diameter Mounting Holes	Short Mounting Flange with Wrap Around Grounding Straps with Non-Threaded .125" Diameter Mounting Holes
Riveted Threaded Inserts	Not Available	P	Q	R	S	M	T
Riveted Threaded Inserts with 4-40 Hex. Jack Screws Installed	L*	PJ	QJ	RJ	SJ	MJ	TJ
4-40 Round Jackscrews Riveted to Connector	Not Available	PR	QR	RR	SR	MR	TR
Non-Threaded Riveted Inserts	Not Available	PT	QT	RT	ST	MT	TT
Riveted Threaded Inserts with M3/4-40 Hex. Jack Screws Installed	Not Available	PJM	QJM	RJM	SJM	MJM	TJM

*Removal of jack screws will cause disassembly of L option part. Dimensions in mm [In]

PC Board Mounting Options



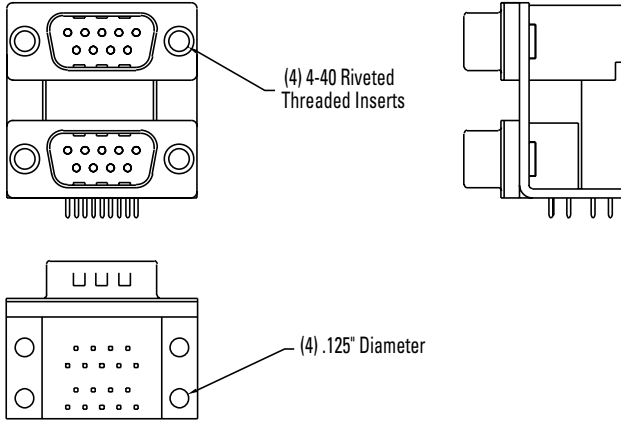
Front Panel Mounting Options



Mounting Options K42, KF42

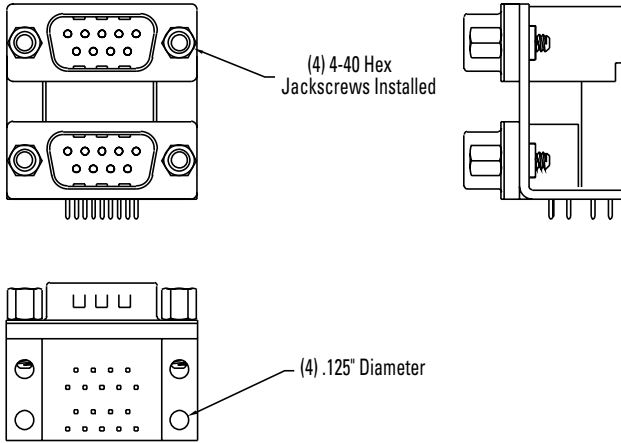
Standard

With .125 Diameter Mounting Holes and 4-40 Riveted Threaded Inserts



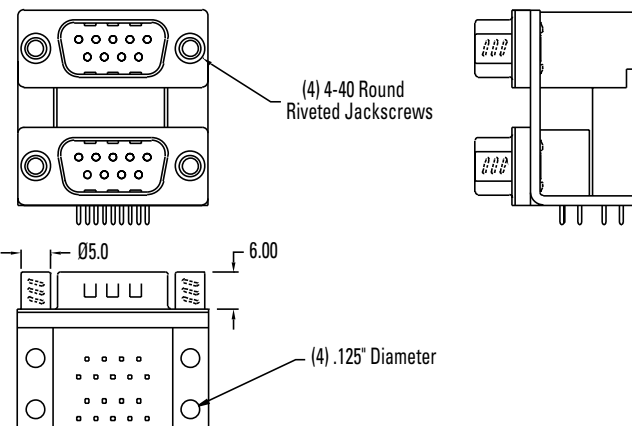
J

With .125 Diameter Mounting Holes and 4-40 Hex Jack Screws Installed



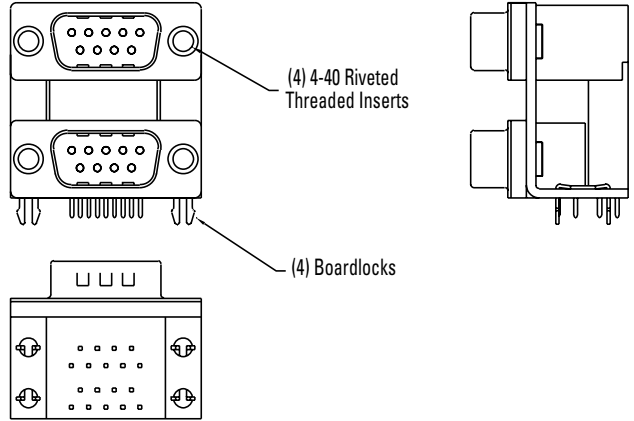
R

With .125 Diameter Mounting Holes and 4-40 Round Jack Screws Riveted to Connector



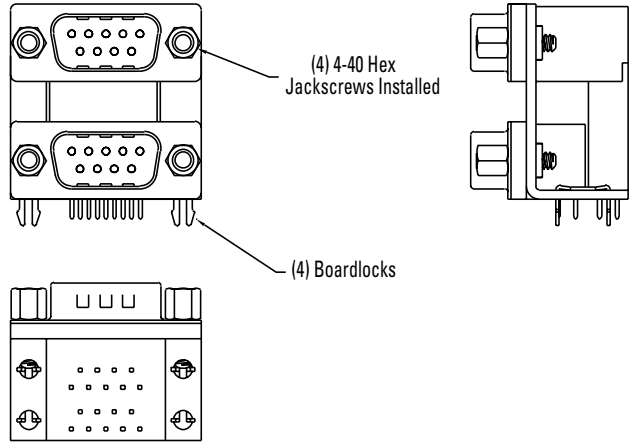
4N

With Four Board Locks and 4-40 Riveted Threaded Inserts



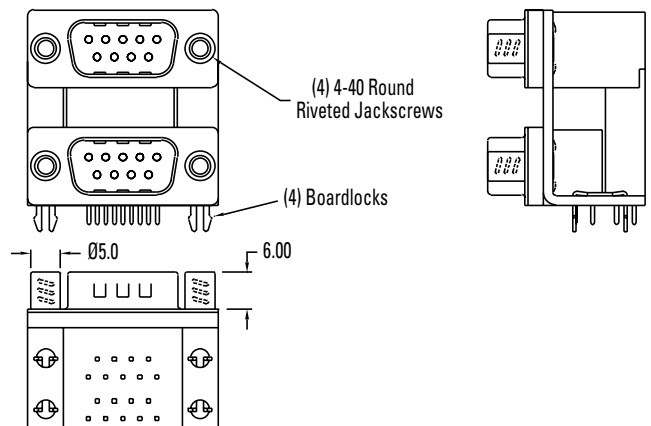
4NJ

With Four Board Locks and 4-40 Hex Jack Screws Installed



4NR

With Four Board Locks and 4-40 Round Jack Screws Riveted to Connector

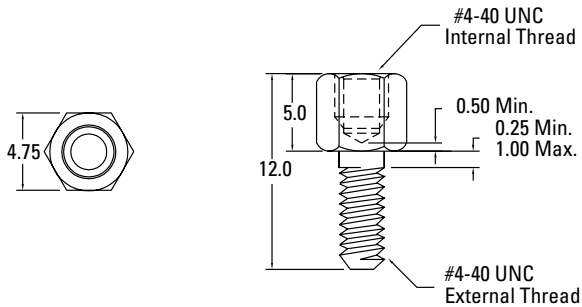


D-Subminiature Hardware

Dimensions in mm

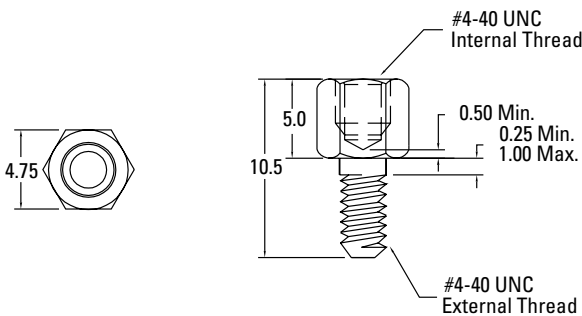
JS-1000

4-40 Female Hex. Jack Screw Bulk (500/Bag)



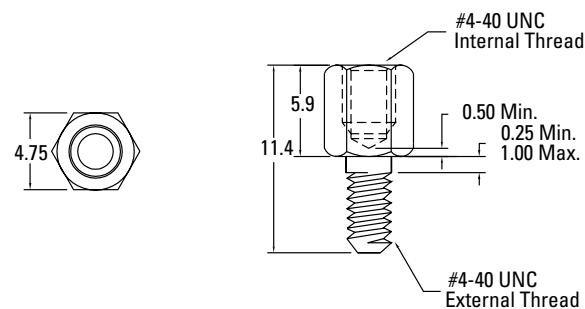
JS-1055

4-40 Female Hex. Jack Screw Bulk (500/Bag)



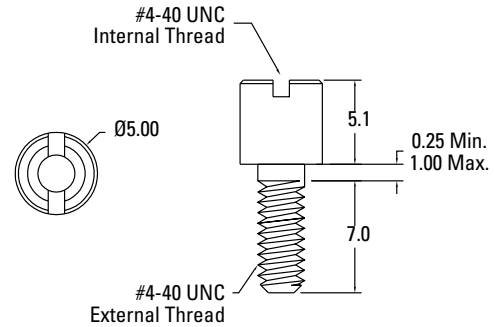
JS-1055-5.9

4-40 Female Hex. Jack Screw Bulk (500/Bag)



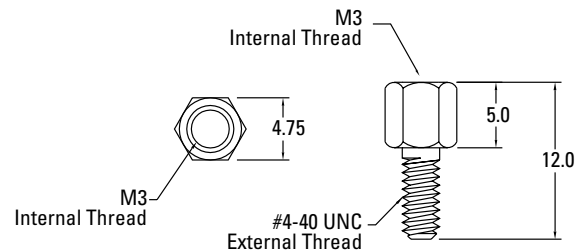
JS-2000

4-40 Female Round Jack Screw Slotted Bulk (500/Bag)



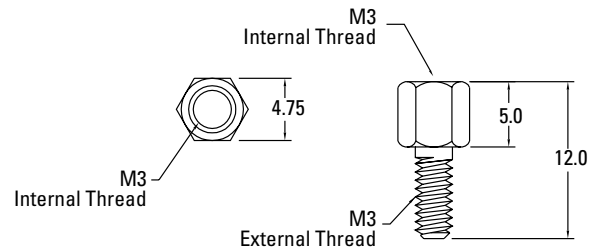
JS-M3131

4-40 External, M3 Metric Internal Thread Jack Screw Bulk (500/Bag)



JS-M3131M

M3 External, M3 Metric Internal Thread Jack Screw Bulk (500/Bag)



KYCON continues its leadership in High Frequency I/O Connectors by offering a complete line of sizes and options.

Features:

- Various options available
- CSA/NRTL Certified File No. LR78160
- Through Hole and Surface Mount
- Right Angle, Vertical and Upright Types
- Connectors for High Speed Transfer
- Contact Factory for Other Options



HIGH FREQUENCY I/O CONNECTORS

Directory

Universal Serial Bus

<i>KUSB - Right Angle, Single & Stacked</i>	40
<i>KUSBV - Vertical</i>	42
<i>KMB - Mini</i>	43
<i>GSP - Combination RJ45 over Stacked USB</i>	55



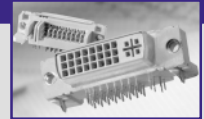
IEEE 1394 Connectors

<i>KFWS - Surface Mount</i>	44
<i>KFWS - Upright</i>	45



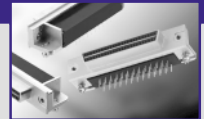
Digital Visual Interface

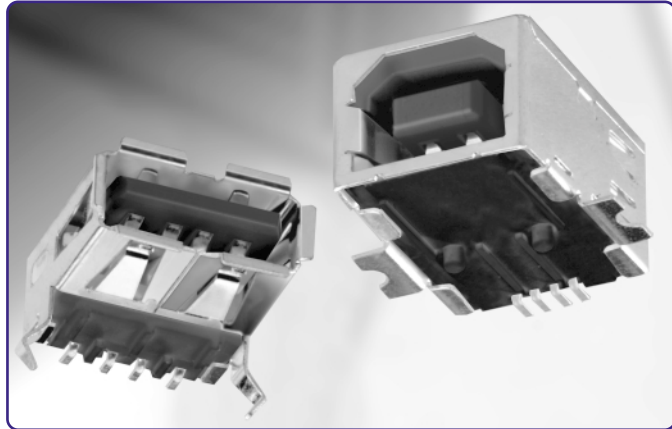
<i>KVI - Right Angle</i>	46
---------------------------------	-----------



SCSI Connectors

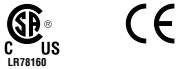
<i>K77 - Right Angle, Single & Stacked</i>	48
---	-----------





KUSB Series Right Angle Universal Serial Bus

Features



- PCB Mount and Surface Mount Available
- Compatible With Many Computer Peripherals
- A and B Types Available
- Supports Hot Plugging
- Meets USB 1.1 and 2.0 Specifications
- Contact Area with Gold Plating
- CSA/NRTL Certified File No. LR78160


Performance Specifications

Materials and Finish

Shell

Phosphor Bronze

Insulator

Standard: Black (-BLK) or White (-WHT) 

PBT Thermoplastic, UL94V-0 Rated

SMT: Black (-B) or White (-W)

High Temperature Thermoplastic, UL94V-0 Rated

Contacts

Phosphor Bronze

Contact Plating

Gold over Nickel on Contacts

Tin/Lead over Nickel on Termination End

Electrical Characteristics

Rated Voltage

30V AC

Contact Current Rating

1 Amp DC Max.

Contact Resistance

15 Milliohms Max.

Insulation Resistance

1000 Megohms Min.

Dielectric Withstanding Voltage

750V AC For 1 Minute

Operating Temperature

-25°C to +80°C

UNIVERSAL SERIAL BUS

KUSB Series

Ordering Information

KUSB	-	AS-1-N-BLK	30	
Series		Type	Plating Options	Packaging

Series

KUSB - Right Angle Universal Serial Bus

Type

AS-1-N-BLK - A-Type Black

AS-1-N-WHT - A-Type White

AS-2-N-BLK - Stacked A-Type Black

AS-2-N-WHT - Stacked A-Type White

BS-1-N-BLK - B-Type Black

BS-1-N-WHT - B-Type White

SMT-AS1N-B - SMT A-Type Black

SMT-AS1N-W - SMT A-Type White

SMT-BS1N-B - SMT B-Type Black

SMT-BS1N-W - SMT B-Type White

Plating Options

Blank - Gold flash

30 - 30µ" Gold

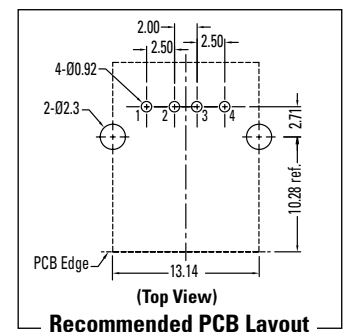
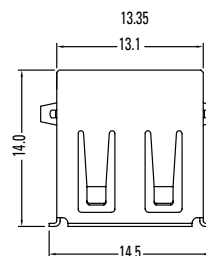
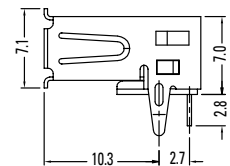
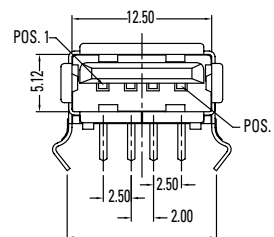
Packaging

Blank - Bulk

TR - Tape and Reel (SMT version only)

KUSB-AS-1-N-BLK or -WHT

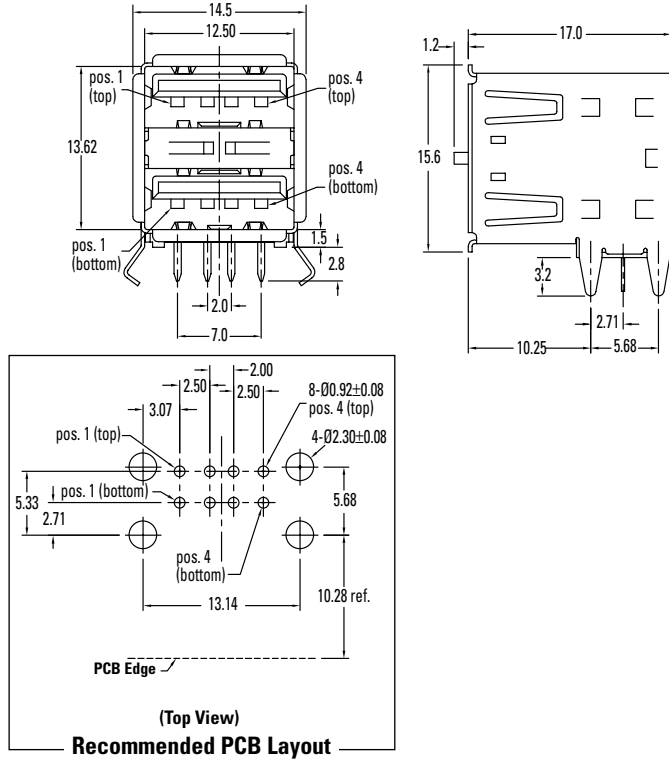
Dimensions in mm



Recommended PCB Layout

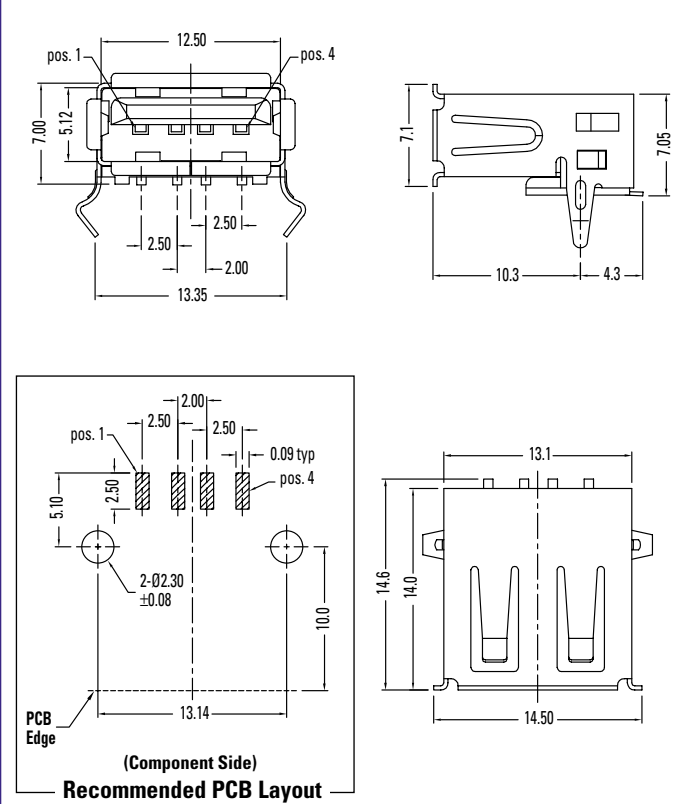
KUSB-AS-2-N-BLK or -WHT

Dimensions in mm



KUSB-SMT-AS1N-B or -W

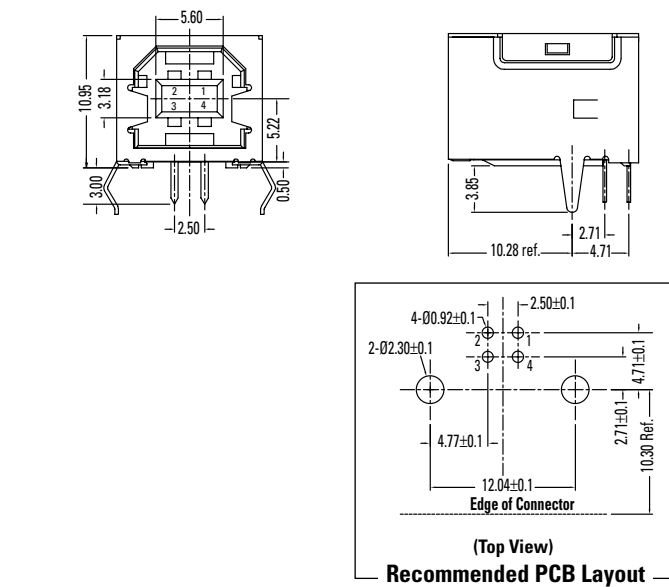
Dimensions in mm



KUSB Series Dimensions

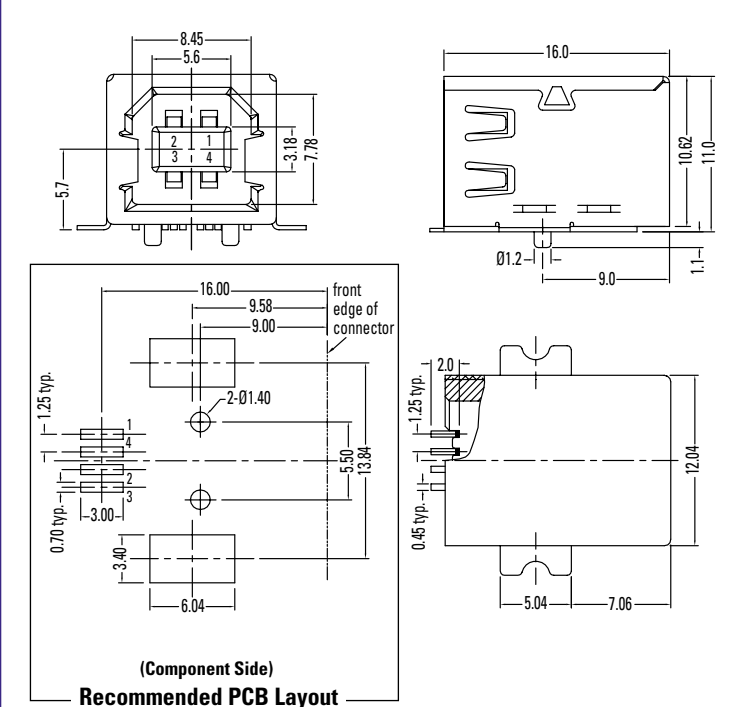
KUSB-BS-1-N-BLK or -WHT

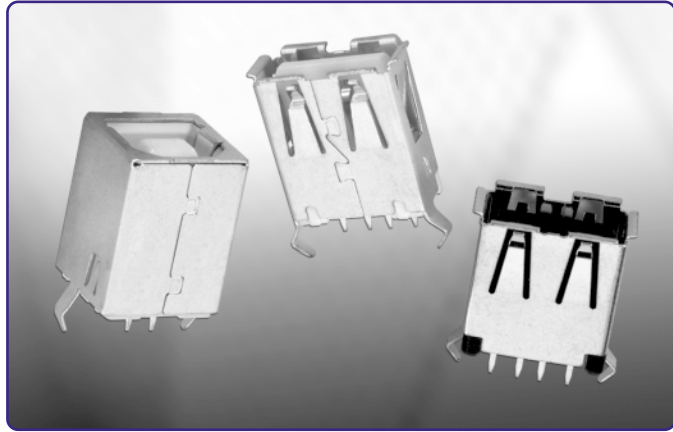
Dimensions in mm



KUSB-SMT-BS1N-B or -W

Dimensions in mm





KUSBV Series Vertical, Top Entry Universal Serial Bus

Features



- Vertical Top Entry
- Compatible With Many Computer Peripherals
- A and B Types Available
- Supports Hot Plugging
- Meets USB 1.1 and 2.0 Specifications
- Contact Area with Gold Plating
- CSA/NRTL Certified File No. LR78160


Performance Specifications

Materials and Finish

Shell

Phosphor Bronze

Insulator

Black (-BLK) or White (-WHT) 
PBT Thermoplastic, UL94V-0 Rated

Contacts

Phosphor Bronze

Contact Plating

Gold over Nickel on Contacts
Tin/Lead over Nickel on Termination End

Electrical Characteristics

Rated Voltage

30V AC

Contact Current Rating

1 Amp DC Max.

Contact Resistance

15 Milliohms Max.

Insulation Resistance

1000 Megohms Min.

Dielectric Withstanding Voltage

750V AC For 1 Minute

Operating Temperature

-25°C to +80°C

UNIVERSAL SERIAL BUS

KUSBV Series

Ordering Information

KUSBV	AS-1-N-BLK	30
Series	Type	Plating Options

Series

KUSBV - Vertical Top Entry Universal Serial Bus

Type

AS-1-N-BLK - A-Type Black
AS-1-N-WHT - A-Type White
BS-1-N-BLK - B-Type Black
BS-1-N-WHT - B-Type White

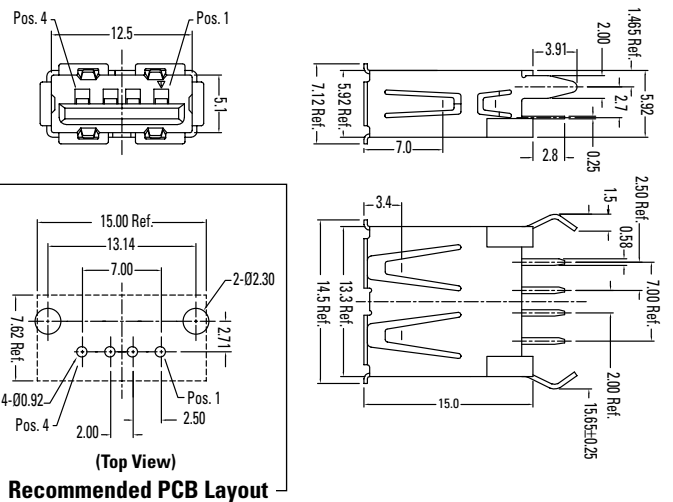
Plating Options

Blank - Gold Flash
30 - 30µ" Gold

KUSBV Series Dimensions

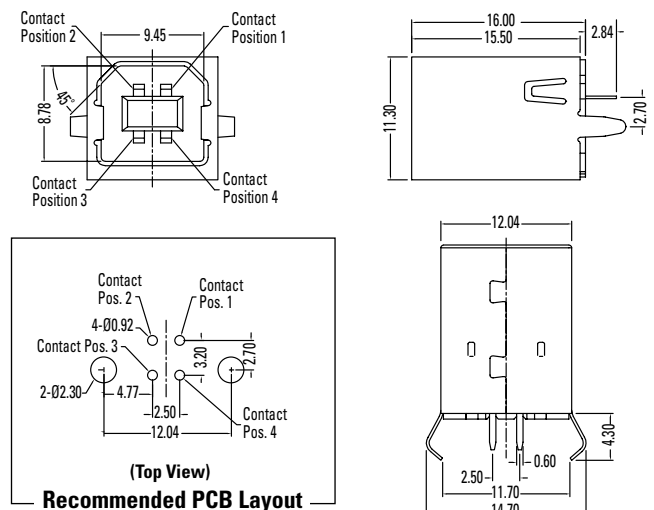
KUSBV-AS-1-N-BLK or -WHT

Dimensions in mm



KUSBV-BS-1-N-BLK or -WHT

Dimensions in mm





KMB-SMT Series Mini USB B-Type Socket



Features

- Footprint is 1/3 the Size of Standard USB
- Surface Mount
- Indentations for Grounding and Mating Retention
- Meets USB 2.0 Specification
- Contact Area with Gold Plating
- CSA/NRTL/US Certified File No. LR78160

Performance Specifications

Materials and Finish

Shell

Copper Alloy, Tin or Nickel Plated

Insulator

PA6T Thermoplastic, UL94V-0 Rated, Black Color



Contacts

Phosphor Bronze

Plating

Standard - 30µ" Gold on Contact Area 3.8µm (150µ")
Tin/Lead on Solder tail, all over 1.27µm (50µ") Nickel.

Electrical Characteristics

Voltage Rating

30V AC

Contact Current Rating

1 Amp Max.

Contact Resistance

50 Milliohms Max.

Insulation Resistance

1000 Megohms Min.

Dielectric Withstanding Voltage

1000V AC for 1 Minute

Operating Temperature

0°C to +50°C

MINI USB CONNECTOR

KMB-SMT Series

Ordering Information

KMB	-	SMT	-	5S	-	S	-	30	-	TR
Series		Style		Number of Contacts		Shield Option		Plating Option		Packaging

Series

KMB - Mini USB

Style

SMT - Surface Mount with Locating Posts

SMT4 - Surface Mount without Locating Posts

Number of Contacts

5S - 5 Pin Socket

Shield Options

S - Shielded

Plating

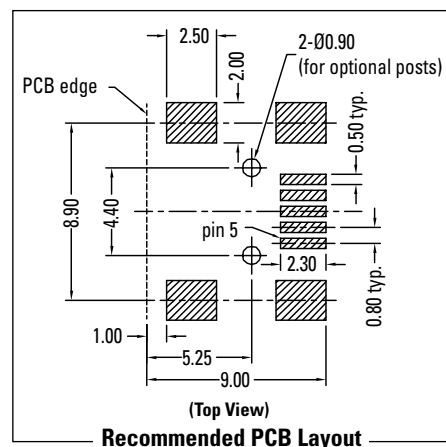
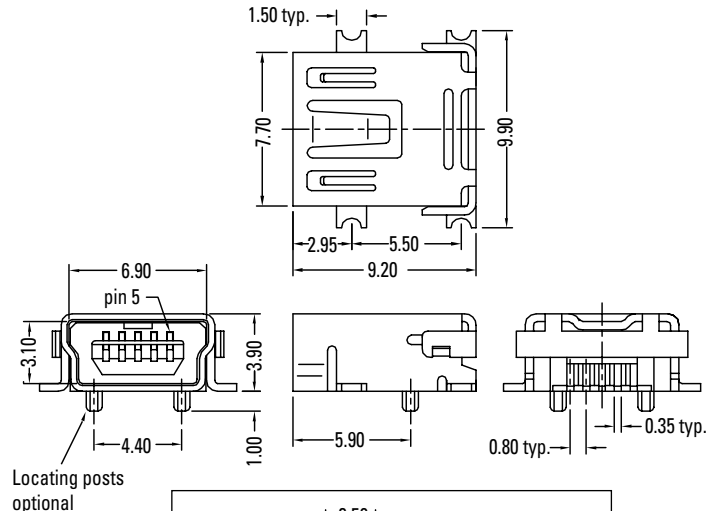
30 - 30µ" Gold Plating

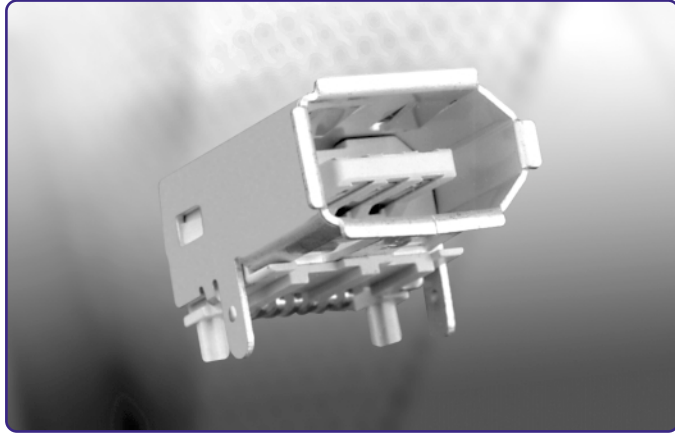
Packaging

TR - Tape and Reel

KMB-SMT Series Dimensions

Dimensions in mm





KFWS Series Right Angle Surface Mount IEEE 1394 Socket

Features



- Supports Hot Plugging
- Rated 400 Mbps
- Surface Mount Technology for Electrical Connections
- Tin Lead Plated Solder Tails for Excellent Solderability
- Contact Area with Gold Plating
- CSA/NRTL Certified File No. LR78160

Performance Specifications

Materials and Finish

Shell: Copper Alloy, Nickel Plating

Insulator: High Temperature Thermoplastic, UL94V-0 Rated

Contacts: Phosphor Bronze

Plating: Standard - 30µ" Gold over Nickel on Contact Area
Tin/Lead Over Nickel on Soldertails

Mechanical Characteristics

Durability: 1500 Cycles Min.

Insertion Force: 3.6kg Max.

Extraction Force: 1.0kg Min.

Electrical Characteristics

Voltage Rating: 30V AC

Contact Current Rating: 1 Amp DC Max. Per Contact Not To Exceed 30°C Temp. Rise

Dielectric Withstanding Voltage: 750 V AC for 1 Minute

Capacitance: 2pF Max.

Contact Resistance: Less Than 30 Milliohms per Contact Pair After 1500 Mating Cycles

Insulation Resistance: Greater than 100 Megohms

Operating Temperature: -55°C to +85°C

IEEE 1394 CONNECTORS

KFWS - SMT Series

Ordering Information

KFWS	-	SMT-100	W	-	30
Series		Style	Color		Plating Option

Series

KFWS - Single IEEE 1394 Socket

Style

SMT-100 - Right Angle Surface Mount

Color

W - White

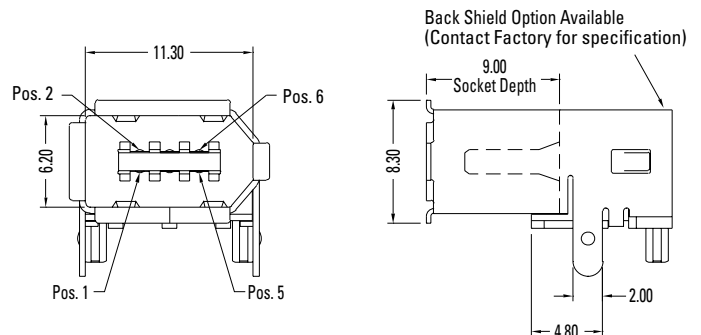
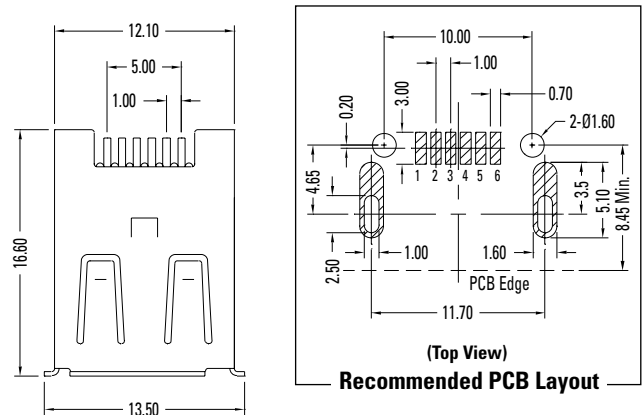
B - Black

Plating

30 - 30µ" Gold Plating

KFWS-SMT Series Dimensions

Dimensions in mm





KFWS Series Vertical Upright PCB Mount IEEE 1394 Socket

Features



- Supports Hot Plugging
- Rated 400 Mbps
- Tin Lead Plated Solder Tails for Excellent Solderability
- Contact Area with Gold Plating
- CSA/NRTL Certified File No. LR78160

Performance Specifications

Materials and Finish

Shell: Copper Alloy, Tin or Nickel Plating

Insulator: PBT Thermoplastic, UL94V-0 Rated

Contacts: Phosphor Bronze

Plating: Standard - 30µ" Gold over Nickel on Contact Area
Tin/Lead Over Nickel on Solderails



Mechanical Characteristics

Durability: 1500 Cycles Min.

Insertion Force: 3.6kg Max.

Extraction Force: 1.0kg Min.

Electrical Characteristics

Voltage Rating: 30V AC

Contact Current Rating: 1 Amp DC Max. Per Contact Not To Exceed 30°C Temp. Rise

Dielectric Withstanding Voltage: 750 V AC for 1 Minute
Capacitance: 2pF Max.

Contact Resistance: Less Than 30 Milliohms per Contact Pair
After 1500 Mating Cycles

Insulation Resistance: Greater than 100 Megohms

Operating Temperature: -55°C to +85°C

IEEE 1394 CONNECTORS

KFWS -V Series

Ordering Information

KFWS	-	V-100	W	-	30
Series		Style	Color		Plating Option

Series

KFWS - Single IEEE 1394 Socket

Style

V-100 - Vertical Upright PCB Mount

Color

W - White

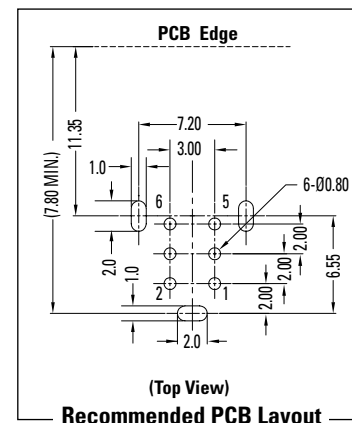
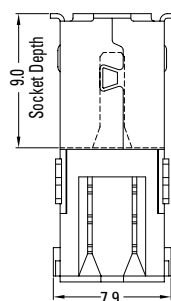
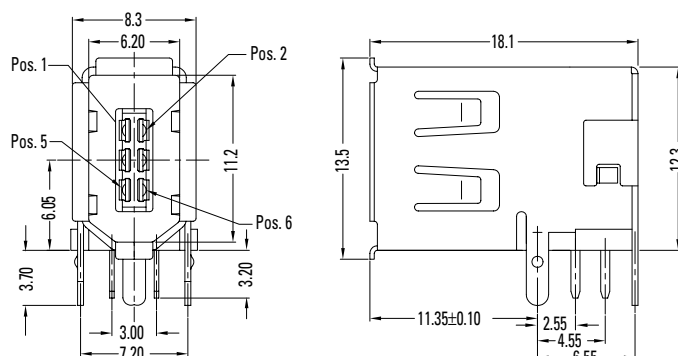
B - Black

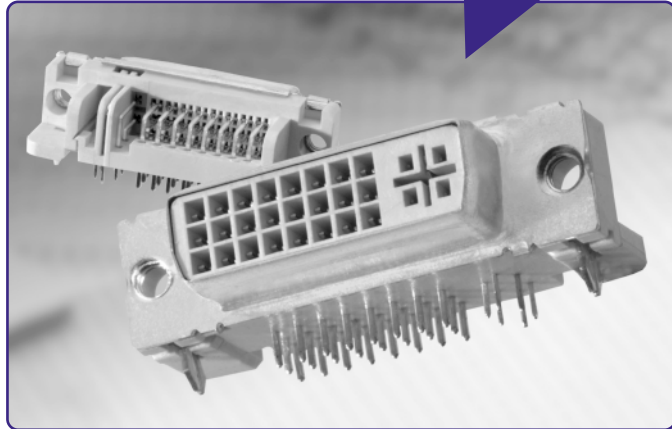
Plating

30 - 30µ" Gold Plating

KFWS-V Series Dimensions

Dimensions in mm





KVI Series Digital Visual Interface

Features



- Digital and Digital/Analog Pinouts
- Supports 1.65 Gbps Digital and 2.5Ghz Analog
- Conforms to Digital Display Working Group DVI Standard
- CSA/NRTL Certified File No. LR78160

Performance Specifications

Material and Finish

Shell

Steel, Tin Plated

Insulator

Black or White Thermoplastic, UL94V-0 Rated,



Contact Material

Copper Alloy

Electrical Specifications

Current Rating

1.5 Amps Min.

Voltage Rating

40V DC

Dielectric Withstanding Voltage

500V AC for 1 Minute

Insulation Resistance

More than 1000 Megohms at 500V DC

Contact Resistance

20 Milliohms Max

Temperature Rating

-20°C to +80°C

DIGITAL VISUAL INTERFACE

KVI Series

Mechanical Specifications

Insertion Force

4.5kg (10 lbs) Max

Withdrawal Force

1.0kg (2.2 lbs) Min

Durability

100 Cycles

Vibration

No Discontinuity >1us

Ordering Information

KVI	-	DA	29	S	-	N	-	W	30
Series		Type	Number of Contacts	Contact Type		Mounting Option		Color	Plating Options

Series

KVI - Digital Visual Interface

Type

DA-Digital/Analog Interface (29 Contact)

DG-Digital Interface (24 Contact)

Number of Contacts

24, 29

Contact Type

S-Socket Contact (Receptacle)

Mounting Option

N-Board Locks* and 4-40 Riveted Threaded Inserts

FP-Board Locks*, 4-40 Riveted Threaded Inserts and Plastic Pegs

Color

B - Black

W - White

Plating Options

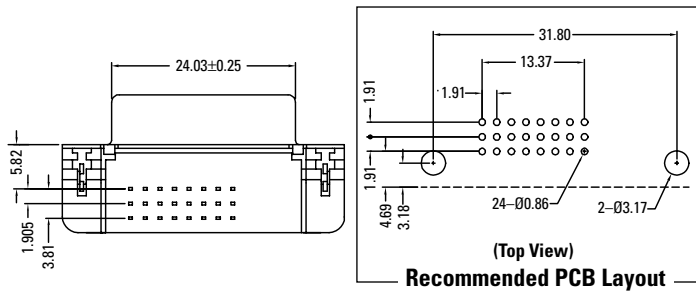
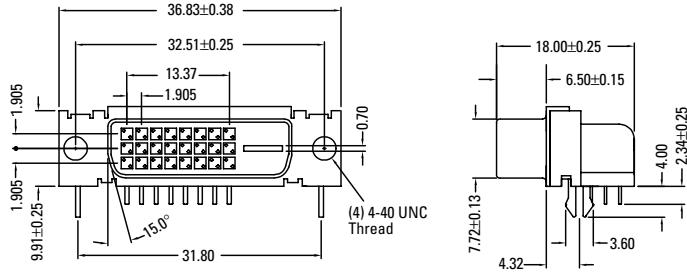
Standard	Gold flash over nickel on contacts. Tin/lead over nickel on soldertails
30	30µ" Gold over Nickel on mating end of contacts. Tin/lead over Nickel on soldertails

*Please note difference in design and mounting

KVI Series Dimensions

Dimensions in mm

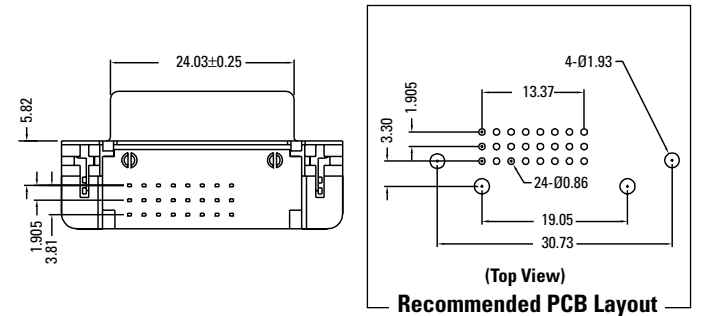
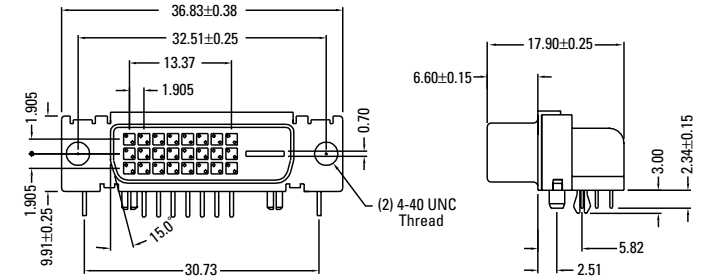
KVI-DG24S-N



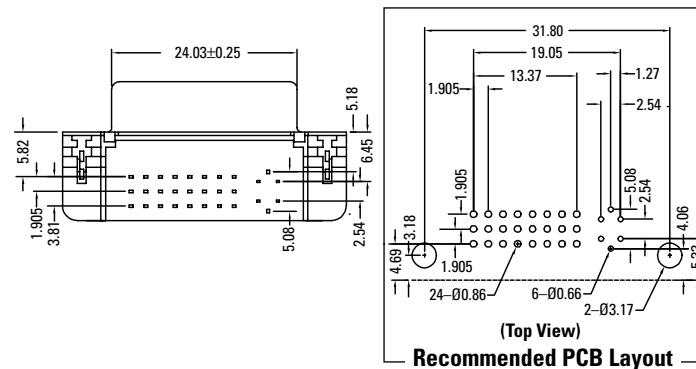
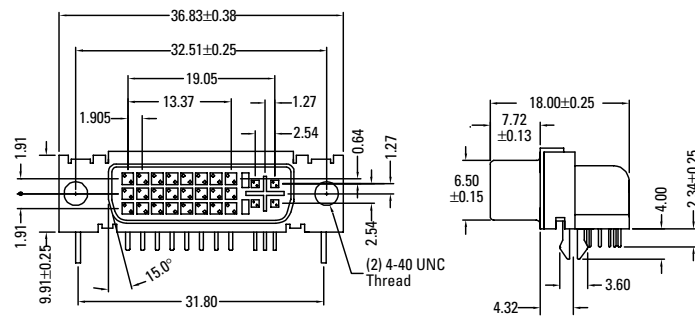
KVI Series Dimensions

Dimensions in mm

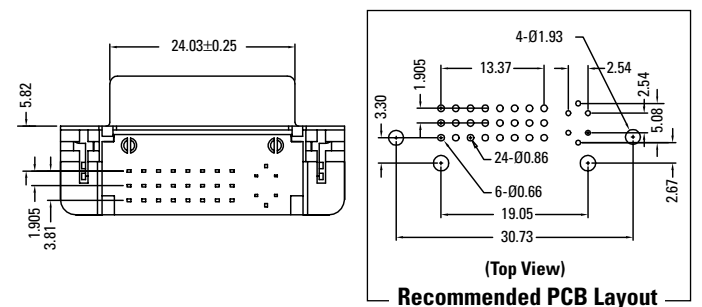
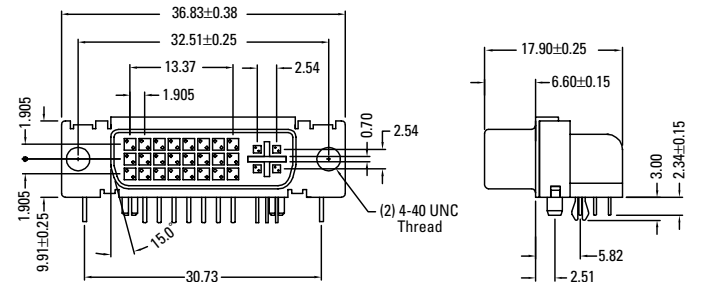
KVI-DG24S-FP

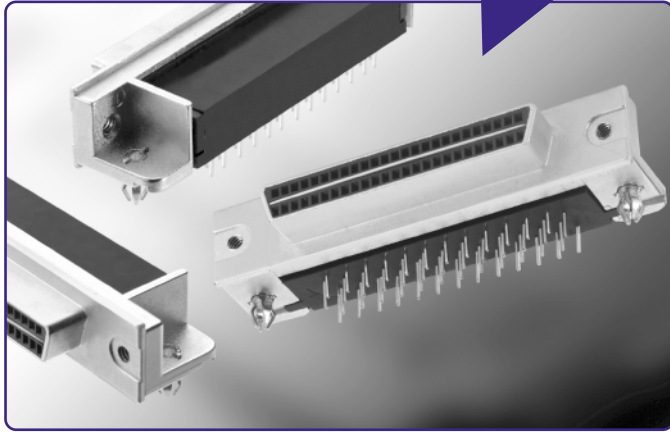


KVI-DA29S-N



KVI-DA29S-FP





K77 Series Right Angle PCB Mount SCSI

Features



- 50 and 68 Position Right Angle Small Computer System Interface Receptacles
- Optional Cable Latches
- Single or Stacked
- CSA/NRTL Certified File No. LR78160

Performance Specifications

Materials and Finish

Housing Material 
PBT, UL94V-0 Rated, Black Color

Contact Material

Phosphor Bronze

Contact Plating

Gold Plating over Nickel

Electrical Characteristics

Insulation Resistance

1000 Megohms Min.

Dielectric Withstanding Voltage

500 VAC for 1 Minute

Contact Resistance

25 Milliohms Max.

Current Rating

1.0 Amp @ 30V

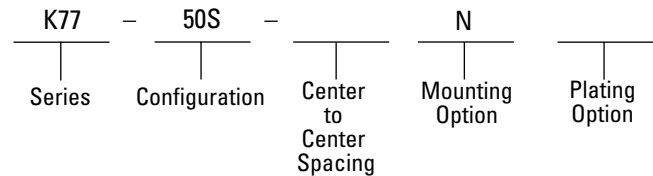
Operating Temperature

-55°C to +85°C

SCSI

K77 Series

Ordering Information



Series

K77 - Right Angle SCSI Connector

Configuration

50S - 50 Socket Contacts

68S - 68 Socket Contacts

50S/50S - 50 Socket Contacts over 50 Socket Contacts

68S/68S - 68 Socket Contacts over 68 Socket Contacts

Center to Center Spacing

Blank - Single

D - Stacked 0.5" (12.70mm)

Mounting Option

N-Board Locks and 4-40 Riveted Threaded Inserts

W-Board Locks and 2-56 Riveted Threaded Inserts

NL-Board Locks, 4-40 Threaded Inserts, Cable Latches

WL-Board Locks, 2-56 Threaded Inserts, Cable Latches

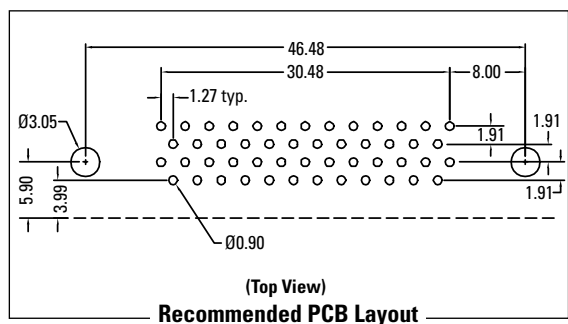
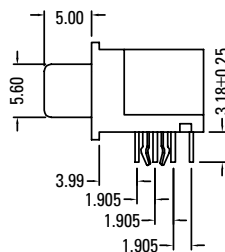
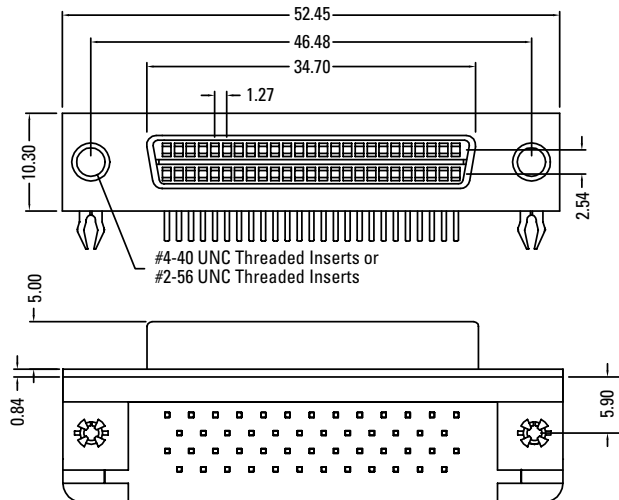
Plating Option

Standard	Gold flash over nickel on contacts. Tin/lead over nickel on soldertails
30	30μ" gold over nickel on mating end of contacts. Tin/lead over nickel on soldertails.

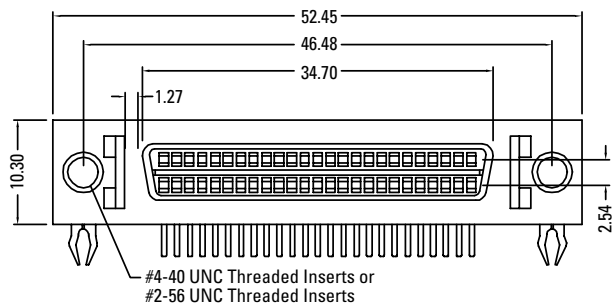
K77 Series Dimensions

Dimensions in mm

K77-50S-N, K77-50S-W



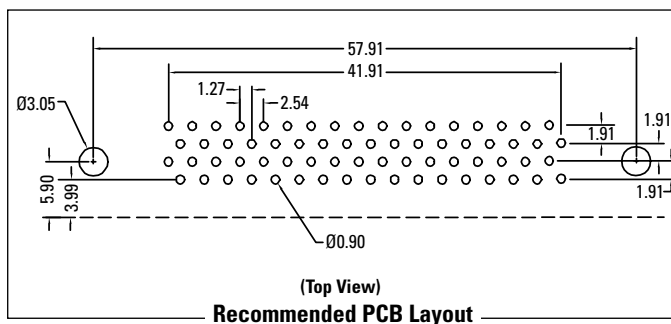
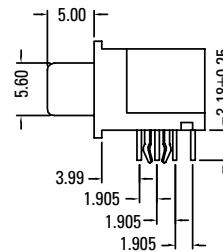
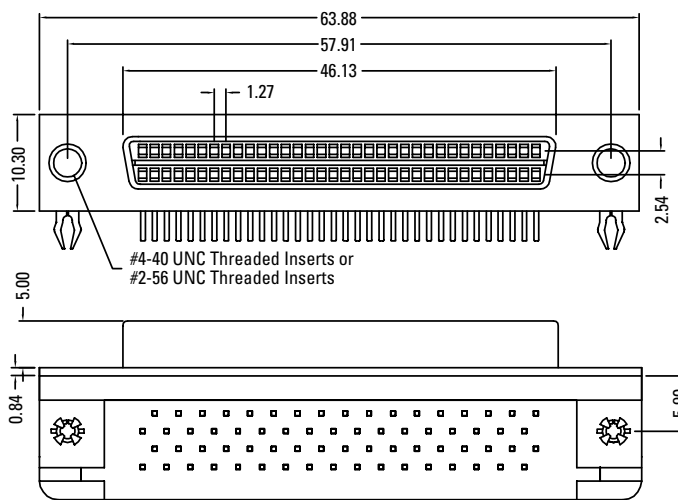
K77-50S-NL, K77-50S-WL



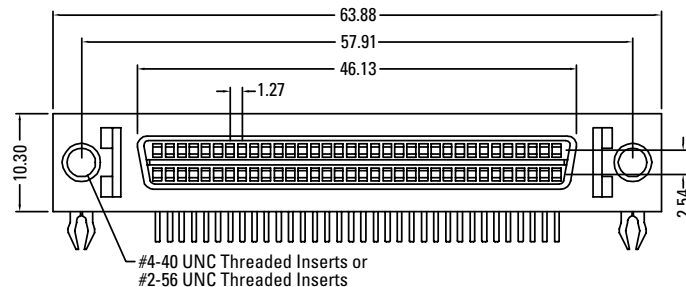
K77 Series Dimensions

Dimensions in mm

K77-68S-N, K77-68S-W



K77-68S-NL, K77-68S-WL



KYCON continues its leadership in connector design with a new line of Modular Jacks with Magnetics.

Features:

- Applications include Computer Peripherals, Data Processing, Telecommunications, Industrial Controls, and Local Area Networks
- All stamped pins are Phosphor Bronze for superior contact retention
- Designs meet UL 1863 Sec. 8 Electrical Probe and Sec. 20 Child Finger Test requirements
- Mates with W.E. Co. and FCC 68 plugs
- Options available in standard Through Hole and Surface Mount designs
- Choice of standard or custom magnetic packages
- CSA/NRTL Certified File No. LR78160



MODULAR JACKS WITH MAGNETICS

Directory

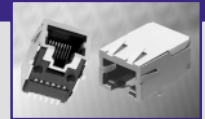
Through Hole

- GIS - Single** 52
GSP - Combination RJ45 Over Stacked USB 55

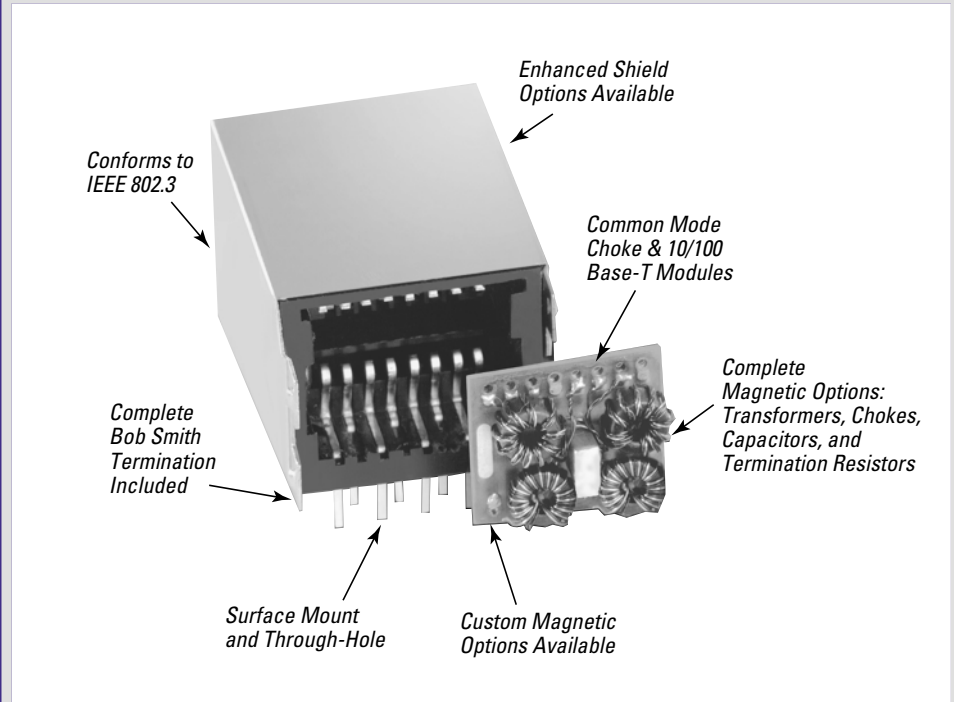


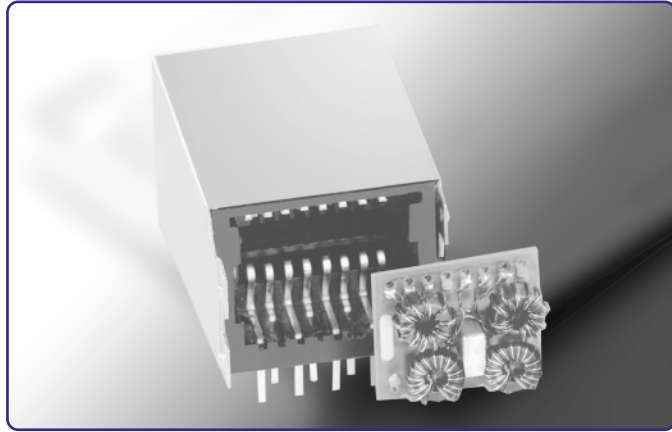
Surface Mount

- GMI - Single** 57



Modular Jack with Magnetics Features:





GIS Series Modular Jack With Integrated Magnetics

Features



- Identical Form Factor as Standard Jacks
- Complete Magnetic Options: Transformers, Chokes, Capacitors, and Termination Resistors
- Common Mode Choke & 10/100 Base-T Modules
- Enhanced Shield Options Available
- Complete Bob Smith Termination Included
- Conforms to IEEE 802.3
- Custom Magnetic Options Available
- CSA/NRTL Certified File No. LR78160

Performance Specifications

Materials and Finish

Housing Material

Glass Filled, UL94V-0 Rated, Black Color



Shield

Copper Alloy, Nickel Plated

Contact Material

Phosphor Bronze

MODULAR JACKS WITH MAGNETICS

GIS Series

Electrical Characteristics

Insulation Resistance

500 Megohms Min

Dielectric Withstanding Voltage

1000 Volt RMS for 1 Minute

Contact Resistance

50 Milliohms Max

Current Rating

1.5 Amps

Ordering Information

GIS	-	1	8	8	S1	-	9025
Series		No. of Ports	Size of Ports	No. of Contacts	Shield		Magnetic Package

Series

GIS - Right Angle Integrated Modular Jack

Number of Ports

1

Size of Ports

8 - 8 Positions

Number of Contacts

8 - 8 Contacts

Single Shield Options

S1 - Fully Shielded, 3.05 Ground Pin Spacing

S9 - Fully Shielded, 3.05 Ground Pin Spacing, with Top and Side Ground Tabs

Magnetic Packages*

10/100 Base-T Connector Modules

9001-9006 - 4 Core Module, Cable Side Module

9025-9030 - 5 Core Module, Cable Side Module

9075 - Common Mode Choke

*Contact Factory for Other Available Magnetic Options

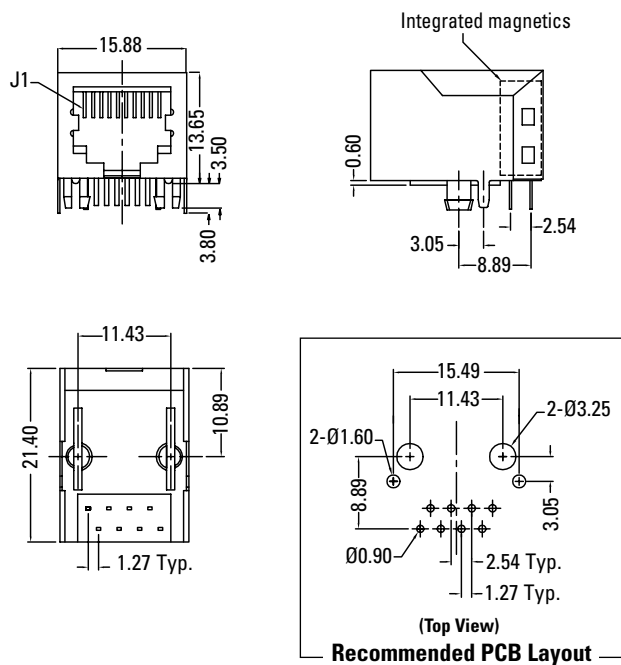
Plating Options

Designator	Plating Description
Standard	Contacts are Plated with 0.0001 Nickel, Selective Plating 0.000015 Gold on Contact Area

GIS Series Dimensions

Dimensions in mm

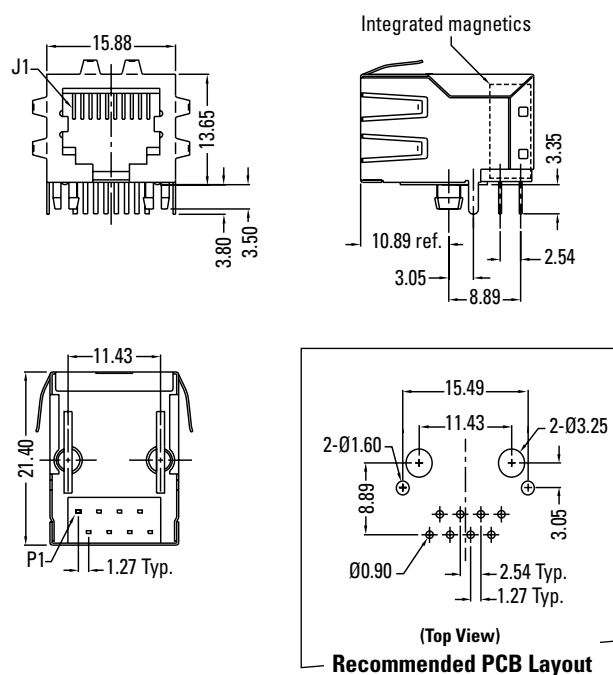
S1-Fully Shielded Single



GIS Series Dimensions

Dimensions in mm

S9-Fully Shielded with Top and Side Grounding Tabs



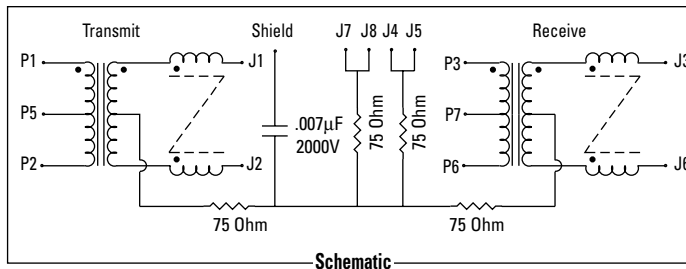
GIS Series Magnetic Package Options

9001-9006 – 4 Core Module

OCL = 350 μ H minimum
Crosstalk = -35 dB minimum @ 1-100 MHz

Electrical Parameters @ 25°C							
Magnetics Designator	Turns Ratio* ($\pm 5\%$)	Insertion Loss (dB Max.)		Return Loss (dB Min.)		CMRR (dB Min.)	
		1-80 MHz	100 MHz	1-30 MHz	60-100 MHz	1-100 MHz	200 MHz
	Xmit/Rcv	1-80 MHz	100 MHz	1-30 MHz	60-100 MHz	1-100 MHz	200 MHz
9001	1:1 / 1:1	-1	-1.5	-20	-15	-30	-20
9002	1.25:1 / 1:1	-1	-2.0	-20	-15	-30	-20
9003	1.36:1 / 1:1	-1	-2.5	-20	-12	-30	-15
9004	1.41:1 / 1:1	-1	-2.5	-20	-12	-30	-15
9005	2:1 / 1:1	-1	-2.5	-20	-10	-30	-10
9006	1:1.41 / 1:1	-1	-2.5	-20	-10	-30	-10

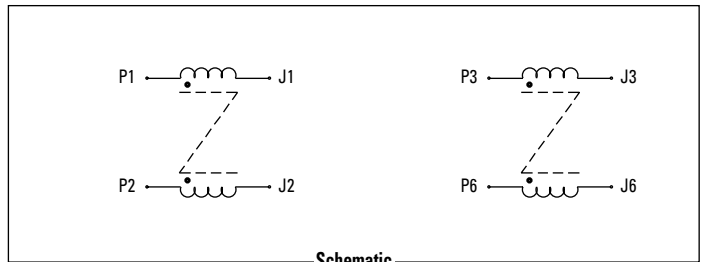
*Turns Ratios are Chip Side: Cable Side / Chip Side: Cable Side



GIS Series Magnetic Package Options

9075 – Common Mode Choke

Electrical Parameters @ 25°C								
Magnetics Designator	DCR (Ohm Max.)	Common Mode Rejection (dB Min.)						
		@1-10 MHz	@ 80 MHz	@100 MHz	@ 200 MHz	@ 300 MHz	@ 400 MHz	@ 500 MHz
9075	1	-40	-40	-30	-20	-20	-10	-10

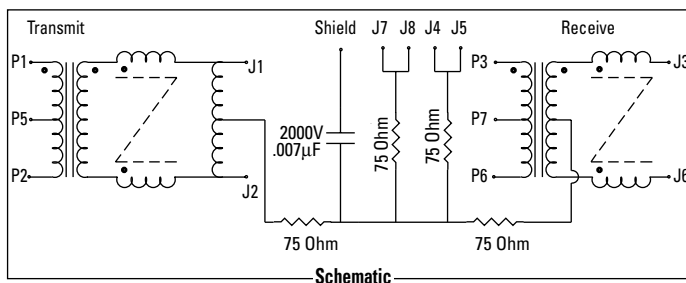


9025-9030 – 5 Core Module

OCL = 350 μ H minimum
Crosstalk = -35 dB minimum @ 1-100 MHz

Electrical Parameters @ 25°C							
Magnetics Designator	Turns Ratio* ($\pm 5\%$)	Insertion Loss (dB Max.)		Return Loss (dB Min.)		CMRR (dB Min.)	
		1-80 MHz	100 MHz	1-30 MHz	60-100 MHz	1-100 MHz	200 MHz
	Xmit/Rcv	1-80 MHz	100 MHz	1-30 MHz	60-100 MHz	1-100 MHz	200 MHz
9025	1:1 / 1:1	-1	-1.5	-20	-15	-30	-20
9026	1.25:1 / 1:1	-1	-2.0	-20	-15	-30	-20
9027	1.36:1 / 1:1	-1	-2.5	-20	-12	-30	-15
9028	1.41:1 / 1:1	-1	-2.5	-20	-12	-30	-15
9029	2:1 / 1:1	-1	-2.5	-20	-10	-30	-10
9030	1:1.41 / 1:1	-1	-2.5	-20	-10	-30	-10

*Turns Ratios are Chip Side: Cable Side / Chip Side: Cable Side



Please Visit www.kycon.com or E-mail: sales@kycon.com for Additional Magnetic Package Options



GSP Series Combination RJ45 Over USB Sockets With Integrated Magnetics

Features



- Licensed from Tyco
- Complete Bob Smith Termination Included
- 10/100 Base-T Modules
- Custom Magnetic Options Available
- Standard or Custom LED's in RJ45
- Conforms to IEEE 802.3
- CSA/NRTL Certified File No. 78160

Performance Specifications

Materials and Finish - GSP



Body

PBT, Glass Filled UL94V-Rated, Black Color

Shield

Copper Alloy, Nickel Plated

Contact

Phosphor Bronze. Nickel Underplate on Entire Contact, Tin/Lead on Termination End, Gold Flash on Contact Area

Materials and Finish - USB



Body

PBT, Glass Filled UL94V-Rated. Color: Black

Shield

Copper Alloy, Nickel Plated

Mechanical Specifications - USB

Insertion Force

3.6kg Max.

Extraction Force

1.0kg Min.

Durability Rating

1500 Mating Cycles Min.

MODULAR JACKS WITH MAGNETICS

GSP Series

Electrical Characteristics - RJ45

Insulation Resistance

500 Megohms Min

Dielectric Withstanding Voltage

1000V AC for 1 Minute

Contact Resistance

20 Milliohms Max.

Current Rating

1.5 Amps

Durability Rating

750 Mating Cycles Min.

Electrical Characteristics - USB

Rated Voltage

30V AC

Contact Current Rating

1A Max.

Contact Resistance

30 Milliohms Max.

Insulation

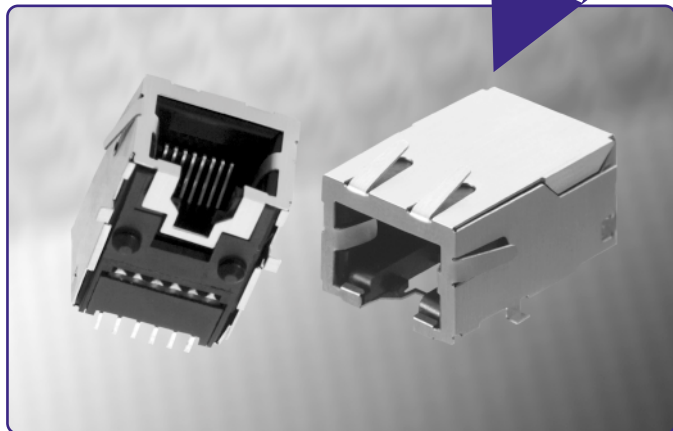
1000 Megohms Min

Dielectric Withstanding Voltage

750V AC for 1 Minute

Ordering Information

GSP	B	S2	G	G	9100
Series	Color	Shield	Plating Option RJ45	Plating Option USB	Magnetic Package & LED Option
Series GSP – RJ45 w/ Integrated Magnetics over Stacked USB Socket					
Color B - Black					
Shield Option S2 - Fully Shielded with Tabs					
Plating Options - RJ45 G - Gold Flash					
Plating Options - USB G - Gold Flash					
Magnetic/LED Packages 9100 - 5 Core Module with Green, Amber and Yellow LEDs					
Plating Options					
Designator	Plating Description				
G	Contacts are Plated with 0.0001 Nickel, Selective Plating 0.000015 Gold on Contact Area				



GMI Series SMT Modular Jack With Integrated Magnetics

Features



- Surface Mount Design
- Complete Magnetic Options: Transformers, Chokes, Capacitors, and Termination Resistors
- Fully Shielded with Ground Tabs
- Complete Bob Smith Termination Included
- Conforms to IEEE 802.3
- 8 Mating Contacts, 6 SMT PCB Leads
- CSA/NRTL Certified File No. LR87160

Performance Specifications

Materials and Finish

Housing Material

High Temperature Thermoplastic, UL94V-0 Rated, Black Color

Shield

Copper Alloy, Tin Plated

Contact Material

Phosphor Bronze

Electrical Characteristics

Insulation Resistance

500 Megohms Min

Dielectric Withstanding Voltage

1000V AC for 1 Minute

Contact Resistance

50 Milliohms Max

Current Rating

1.5 Amps

MODULAR JACKS WITH MAGNETICS

GMI Series

Ordering Information

GMI	-	S2	8	8	-	-	-
Series		Shield Option	Size of Ports	No of Contacts		Magnetic Package	Plating Options

Series

GMI - SMT Integrated Modular Jack

Shield Option

S2- Fully Shielded, 3.05 Ground Pin Spacing, with Ground Tabs

Number of Positions

8 - 8 Opening

Number of Contacts

8 - 8 Contacts

Magnetic Packages*

10/100 Base-T Connector Module

9125F2- 5 Core Module, Cable Side Choke

9126F2- 4 Core Module, Cable Side Choke

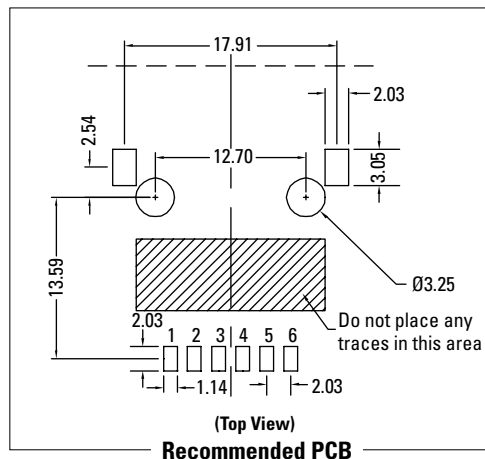
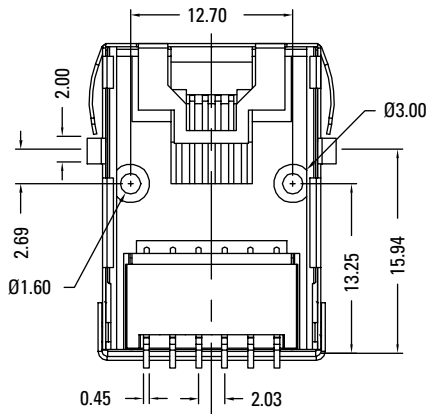
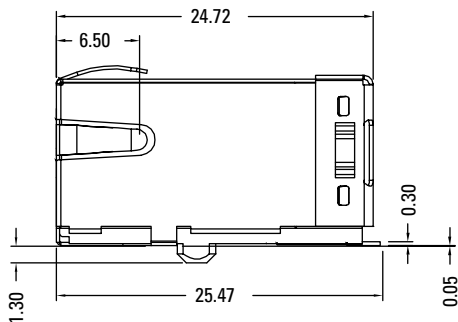
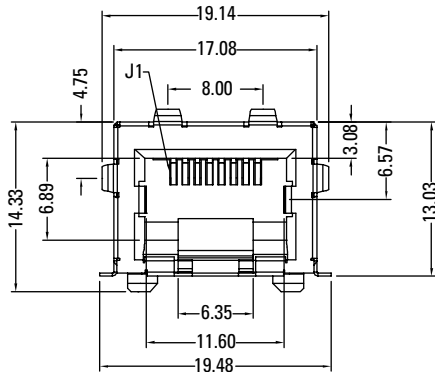
Plating Options

Designator	Plating Description
Standard	Contacts are Plated with 0.0001 Nickel, Selective Plating 0.000015 Gold on Contact Area
50	Contacts are Plated with 0.0001 Nickel, Selective Plating 0.000050 Gold on Contact area to Comply with FCC Requirements Under No. 47 C.F.R. Part 68 Subpart F

*Contact Factory for Other Available Magnetic Options

GMI Series Dimensions

Dimensions in mm



MODULAR JACKS WITH MAGNETICS

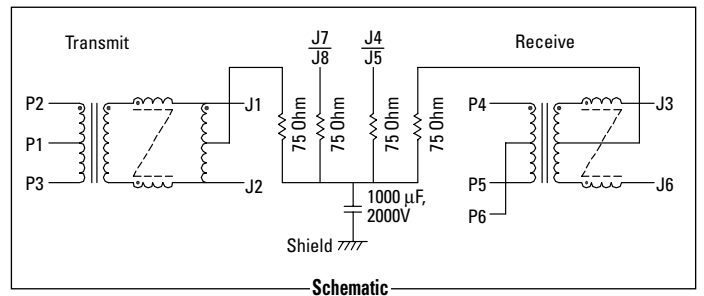
GMI Series

GMI Series Magnetic Package Options

GMI-S288-9125F2- 5 Core Module

OCL = 350 μ H minimum @ 100kHz, 100m Vrms, 8mA DC Bias
Crosstalk = -35 dB minimum @ 100kHz-100 MHz

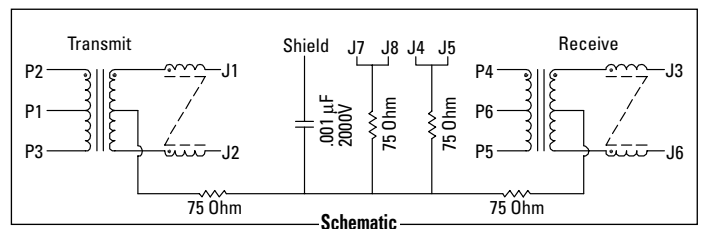
Electrical Parameters @ 25°C							
Turns Ratio ($\pm 5\%$)	Insertion Loss (dB Max.)		Return Loss (dB Min.)			CMRR (dB Min.)	CMD (dB Min.)
Xmit/Rcv	1-80 MHz	100 MHz	1-30 MHz	@ 60 MHz	@ 80 MHz	100kHz- 100MHz	100kHz- 100MHz
1CT:1/1CT:1CT	-1.0	-1.5	-20	-15	-12	-30	-30



GMI-S288-9126F2- 4 Core Module

OCL = 350 μ H minimum @ 100kHz, 100m Vrms, 8mA DC Bias
Crosstalk = -35 dB minimum @ 100kHz-100 MHz

Electrical Parameters @ 25°C							
Turns Ratio ($\pm 5\%$)	Insertion Loss (dB Max.)		Return Loss (dB Min.)			CMRR (dB Min.)	CMD (dB Min.)
Xmit/Rcv	1-80 MHz	100 MHz	1-30 MHz	@ 60 MHz	@ 80 MHz	100kHz- 100MHz	100kHz- 100MHz
1.25CT:1/1CT:1CT	-1.0	-1.5	-20	-15	-12	-30	-30



KYCON continues its leadership in Modular Jacks and Plugs by offering a complete line of sizes and options.

Features:

- Applications include Computer Peripherals, Data Processing, Telecommunications, Industrial Controls, and Local Area Networks
- All stamped pins are Phosphor Bronze for superior contact retention
- Designs meet UL 1863 Sec. 8 Electrical Probe and Sec. 20 Child Finger Test requirements
- Mates with W.E. Co. and FCC 68 plugs
- Conforms to FCC requirements under No. 47 C.F.R. Part 68 Subpart F with 50 micro inch Gold plating on pins
- Options available in standard Through Hole and Surface Mount designs
- Options available partially and fully shielded for EMI/RFI protection and Category 5 applications
- UL recognized File No. E134345
- CSA/NRTL Certified File No. LR78160



MODULAR JACKS AND PLUGS

Directory

Right Angle Modular Jacks

GM - .450" Height	60
GM - SMT2 - .450" Height	62
GS - .515" Height	66
GDL - .492" Height	68
GDLF - .520" Height/Ferrite	70
GL - .570" Height	72
GDA - .595" Height	73



Perpendicular

GDP - Top Entry	74
------------------------	-----------



Ganged Jacks

GSG - .515" Height, Right Angle	76
GA - .606" Height, Right Angle	79
GP - .630" Height, Perpendicular	79



Modular Plugs

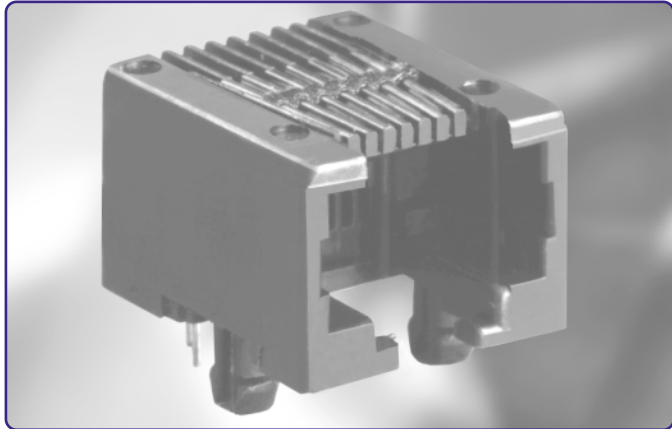
MP/MPS - Non-Shielded and Shielded	82
---	-----------



Modular Jack Options:

Series	GM	GM-SMT2	GS	GDL	GDLF	GL	GDA	GDP	GSG	GA	GP
Standard Through Hole	•		•	•	•	•	•	•	•	•	•
SMT		•		•							
Shielded	•	•	•	•	•			•	•		
Keyed	•			•			•	•			
Panel Stops				•	•	•	•	•		•	•
Category 5			•						•		
4P4C	•	•				•	•	•			
6P4C	•	•		•	•	•	•	•		•	•
6P6C	•	•		•	•	•	•	•		•	•
8P8C	•	•	•	•	•	•	•	•	•	•	•
10P10C	•	•				•					
Perpendicular								•			•
Ferrite					•						

KYCON Tech Support: **1-888-KYCON-22**
or E-mail: sales@kycon.com



GM Series Right Angle Modular Jack

Features



- 0.45" Height
- Low Profile Design Suitable for PC Add-On Board Applications
- Snap in Board Retention Tabs
- Available in 4, 6, 8, and 10 Position Housings
- Available Fully Shielded for EMI/RFI Protection
- CSA/NRTL Certified File No. LR78160

Performance Specifications

Materials and Finish

Housing Material

PBT Thermoplastic, UL94V-0 Rated, Black Color

Shield Material

Copper Alloy, Nickel Plated

Contact Material

Phosphor Bronze

Electrical Characteristics

Insulation Resistance

500 Megohms Min

Dielectric Withstanding Voltage

1000V AC for 1 Minute

Contact Resistance

20 Milliohms Max

Current Rating

1.5 Amps

MODULAR JACKS AND PLUGS

GM Series

Ordering Information

GM	-	N	-	8		8	-	
Series		Type		Size of Ports		Number of Contacts		Plating Options

Series

GM - Right Angle, PCB Mount

Type

N - Non-Shielded
S - Fully Shielded

Size of Ports

4 - 4 Positions (Not Available Shielded)
6 - 6 Positions
8 - 8 Positions
10 - 10 Positions

Number of Contacts

4 - 4 Contacts
6 - 6 Contacts
8 - 8 Contacts
10 - 10 Contacts

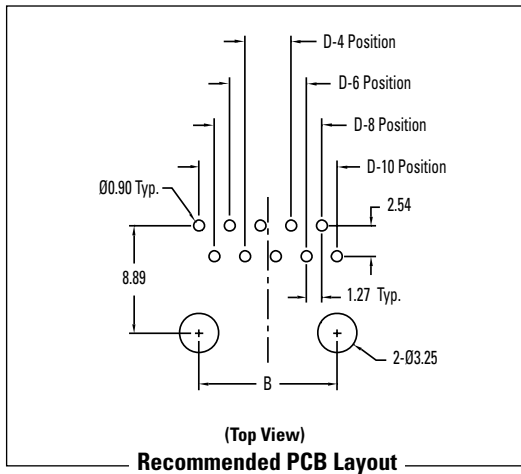
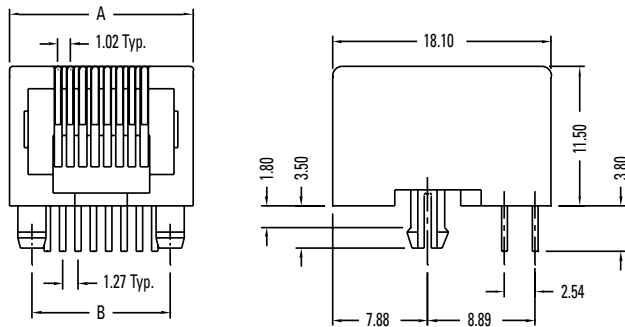
Plating Options

Designator	Plating Description
Standard	Contacts are Plated with 0.0001 Nickel, Selective Plating 0.000015 Gold on Contact area
50	Contacts are Plated with 0.0001 Nickel, Selective Plating 0.000050 Gold on Contact area to Comply with FCC Requirements Under No. 47 C.F.R. Part 68 Subpart F

GM Series Dimensions

Dimensions in mm

GM-N (Non-Shielded)

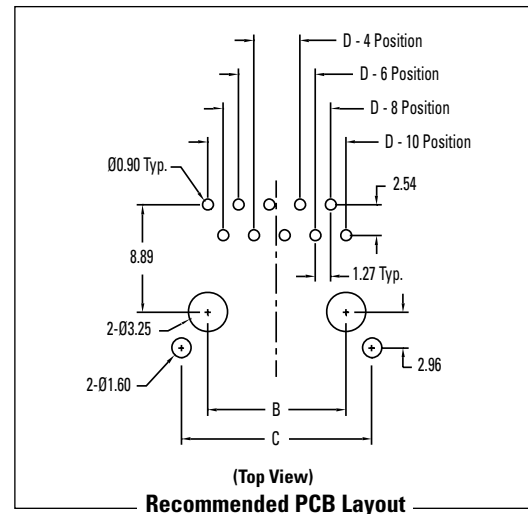
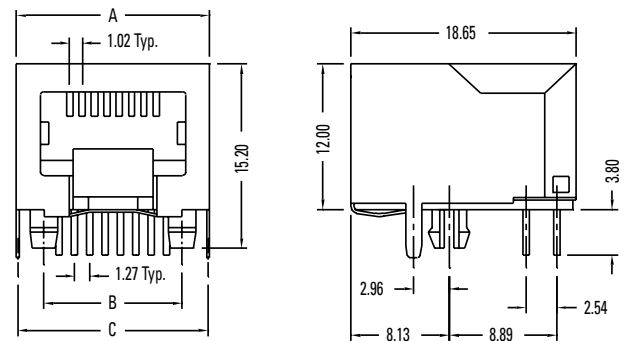


Part Number	Dimensions			
	A	B	C	D
GM-N-44	11.18	7.62	-	3.81
GM-N-64	13.20	10.16	-	3.81
GM-N-66	13.20	10.16	-	6.35
GM-N-88	15.24	11.43	-	8.89
GM-N-1010	15.24	11.43	-	11.43

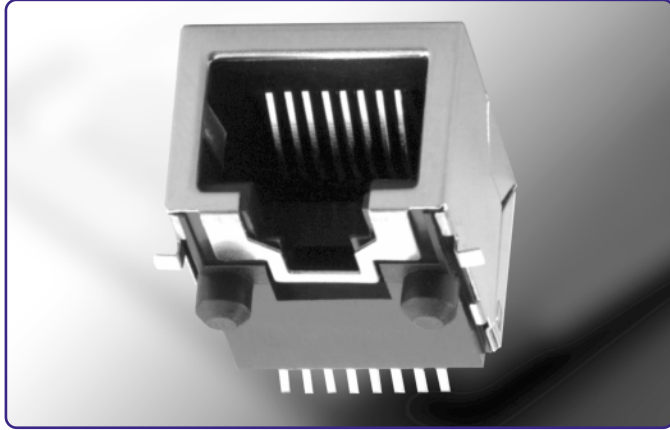
GM Series Dimensions

Dimensions in mm

GM-S (Shielded)



Part Number	Dimensions			
	A	B	C	D
GM-S-64	13.70	10.16	13.50	3.81
GM-S-66	13.70	10.16	13.50	6.35
GM-S-88	16.00	11.43	15.76	8.89
GM-S-1010	16.00	11.43	15.76	11.43



GM-SMT2 Series Surface Mount Modular Jack

Features



- 0.45" Height
- Low Profile Design Suitable for PC Add-On Board Applications
- Available in 4, 6, 8, and 10 Position Housings
- Available Fully Shielded for EMI/RFI Protection
- CSA/NRTL Certified File No. LR78160

Performance Specifications

Materials and Finish

Housing Material

High Temperature Thermoplastic, Reflow Compatible, UL94V-0 Rated, Black Color

Shield Material

Copper Alloy, Nickel Plated

Contact Material

Phosphor Bronze

Electrical Characteristics

Insulation Resistance

500 Megohms Min

Dielectric Withstanding Voltage

1000V AC for 1 Minute

Contact Resistance

20 Milliohms Max

Current Rating

1.5 Amps

MODULAR JACKS AND PLUGS

GM-SMT2 Series

Ordering Information

GM-SMT2	-	N	-	8	-	8	-	-
Series		Type		Size of Ports		Number of Contacts		Plating Options

Series

GM-SMT2 - Surface Mount Right Angle Modular Jack

Type

- N - Non-Shielded with Locking Posts
- S - Fully Shielded with Locking Posts
- S2 - Fully Shielded with Non-Locking Posts
- S6 - Fully Shielded with Top and Side Grounding Tabs, with Non-Locking Posts
- S7 - Fully Shielded with Top and Side Grounding Tabs, with Locking Posts

Size of Ports

- 4 - 4 Positions
- 6 - 6 Positions
- 8 - 8 Positions
- 10 - 10 Positions

Number of Contacts

- 4 - 4 Contacts
- 6 - 6 Contacts
- 8 - 8 Contacts
- 10 - 10 Contacts

Plating Options

Designator	Plating Description
Standard	Contacts are Plated with 0.0001 Nickel, Selective Plating 0.000015 Gold on Contact area
50	Contacts are Plated with 0.0001 Nickel, Selective Plating 0.000050 Gold on Contact area to Comply with FCC Requirements Under No. 47 C.F.R. Part 68 Subpart F

Package Options

- Blank - Bulk
- TR - Tape & Reel

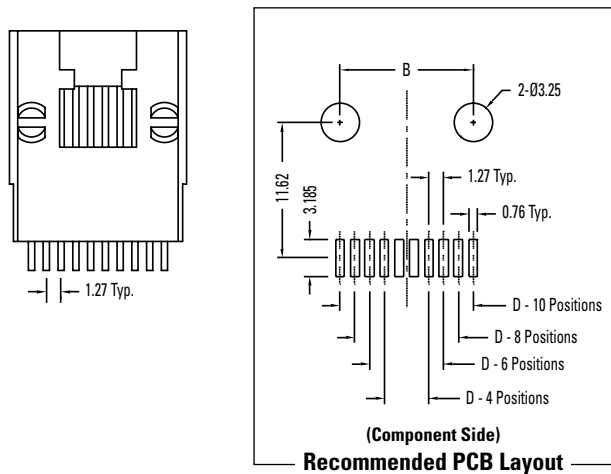
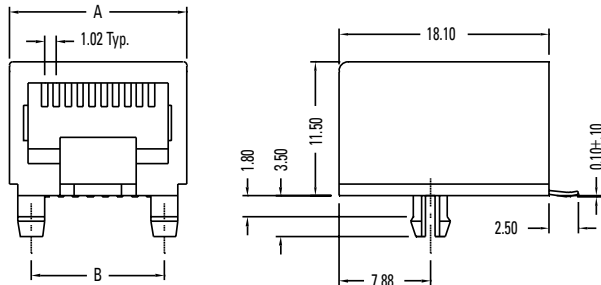
Available Options

Type	Position / Contacts				
	44	64	66	88	1010
N Non-Shield	•	•	•	•	•
S Shield		•	•	•	•
S2 Shield				•	•
S6 Shield				•	
S7 Shield				•	
T&R				•	•

GM-SMT2 Series Dimensions

Dimensions in mm

GM-SMT2-N

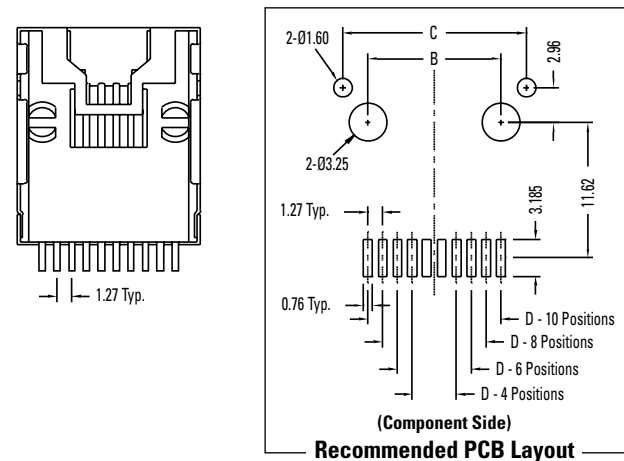
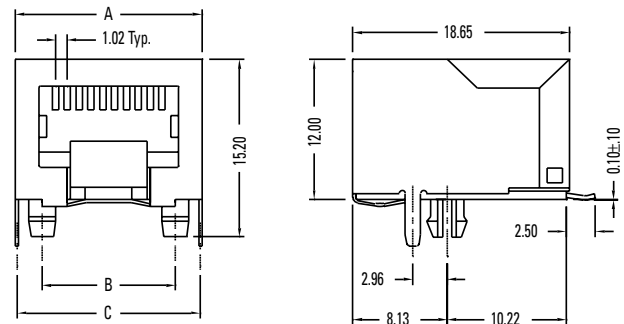


Part Number	Dimensions			
	A	B	C	D
GM-SMT2-N-44	11.21	7.62	-	3.81
GM-SMT2-N-64	12.96	10.16	-	3.81
GM-SMT2-N-66	12.96	10.16	-	6.35
GM-SMT2-N-88	15.03	11.43	-	8.89
GM-SMT2-N-1010	15.03	11.43		11.43

GM-SMT2 Series Dimensions

Dimensions in mm

GM-SMT2-S

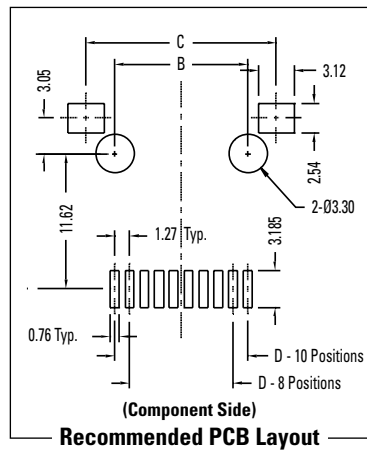
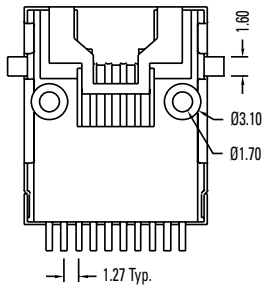
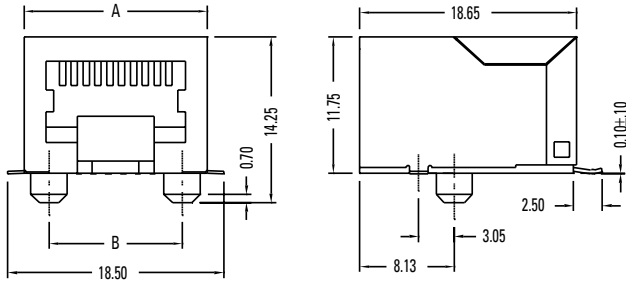


Part Number	Dimensions			
	A	B	C	D
GM-SMT2-S-64	13.70	10.16	13.50	3.81
GM-SMT2-S-66	13.70	10.16	13.50	6.35
GM-SMT2-S-88	15.74	11.43	15.54	8.89
GM-SMT2-S-1010	15.74	11.43	15.54	11.43

GM-SMT2 Series Dimensions

Dimensions in mm

GM-SMT2-S2



Part Number	Dimensions			
	A	B	C	D
GM-SMT2-S2-88	15.74	11.43	16.35	8.89
GM-SMT2-S2-1010	15.74	11.43	16.35	11.43

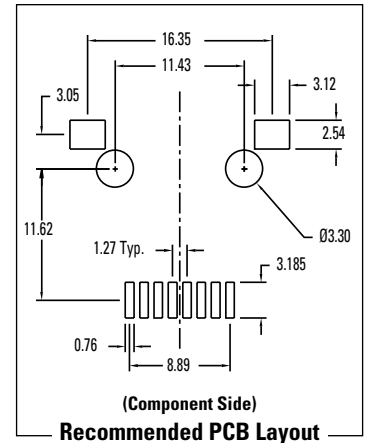
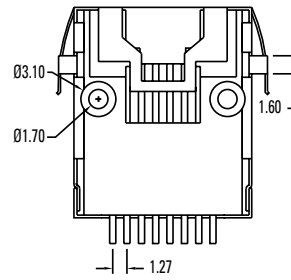
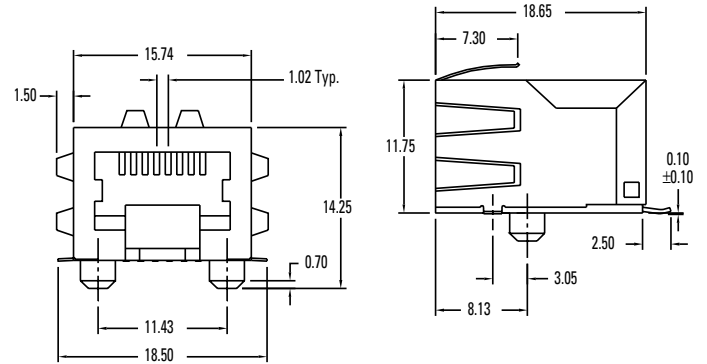
MODULAR JACKS AND PLUGS

GM-SMT2 Series

GM-SMT2 Series Dimensions

Dimensions in mm

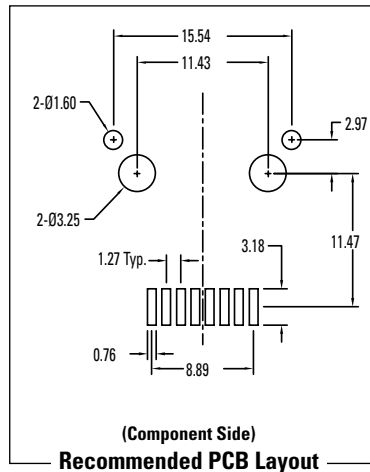
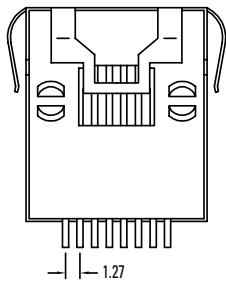
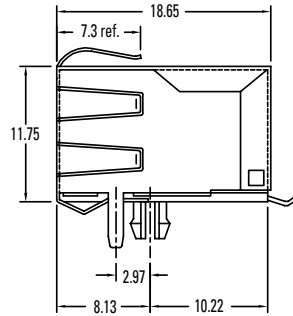
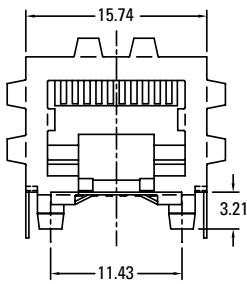
GM-SMT2-S6

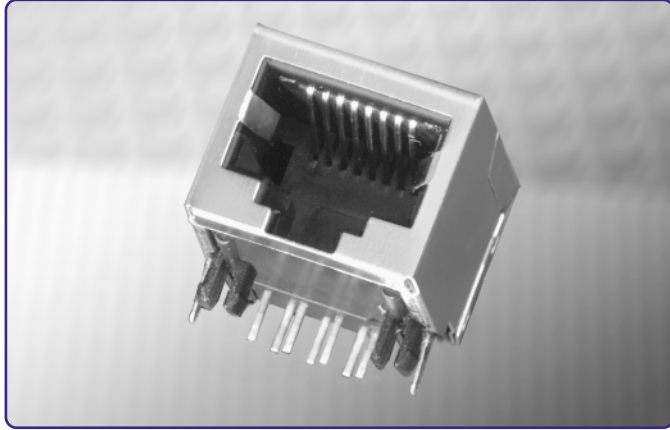


GM-SMT2 Series Dimensions

Dimensions in mm

GM-SMT2-S7





GS Series Right Angle Modular Jack

Features



- 0.515" Height
- Snap in Board Retention Tabs
- Available with Ground Tabs
- Available Fully Shielded for Category 5 Applications
- CSA/NRTL Certified File No. LR78160

Performance Specifications

Materials and Finish

Housing Material

PBT Thermoplastic, Glass Filled, UL94V-0 Rated, Black Color

Shield

Copper Alloy, Nickel Plated

Contact Material

Phosphor Bronze

Electrical Characteristics

Insulation Resistance

500 Megohms Min

Dielectric Withstanding Voltage

1000V AC for 1 Minute

Contact Resistance

20 Milliohms Max

Current Rating

1.5 Amps

MODULAR JACKS AND PLUGS

GS Series

Electrical Performance

Category 5 100MHz bandwidth performance.

Attenuation @ 100MHz less than 0.13dB.

Performance meets Near End Crosstalk (NEXT)

requirements of -40dB @ 100MHz per EIA/TIA 568A in applications where UL approved Category 5 cable (GA27-3773-1) is used.

Shielded types offer 20dB shielding from 30MHz to 300MHz

Ordering Information

GS	-	NS	-	8		8	-	3.05	-
Series		Shield Option		Size of Ports		Number of Contacts		Ground Pin Spacing	Plating Options

Series

GS - Right Angle Modular Jack PCB Mount

Shield Options

N - Non-Shielded

NS - Fully Shielded

NS2 - Fully Shielded with Ground Tabs

Size of Ports

8 - 8 Positions

Number of Contacts

8 - 8 Contacts

Ground Pin Spacing (Shielded Only)

3.05 - 3.05mm

3.68 - 3.68mm

4.57 - 4.57mm

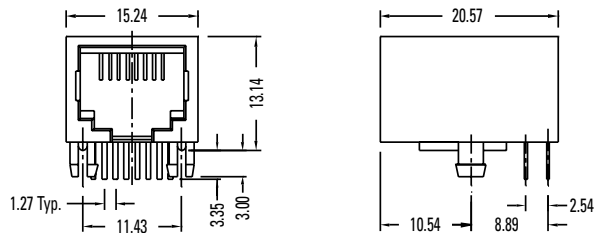
Plating Options

Designator	Plating Description
Standard	Contacts are Plated with 0.0001 Nickel, Selective Plating 0.000015 Gold on Contact area
50	Contacts are Plated with 0.0001 Nickel, Selective Plating 0.000050 Gold on Contact area to Comply with FCC Requirements Under No. 47 C.F.R. Part 68 Subpart F

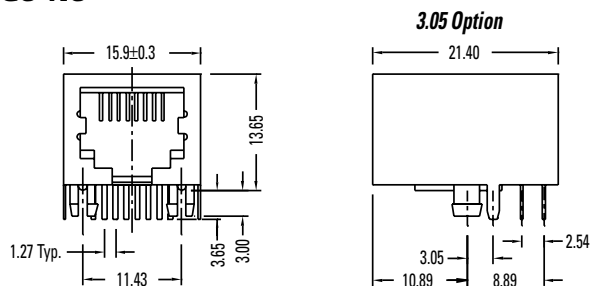
GS Series Dimensions

Dimensions in mm

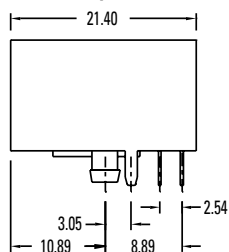
GS-N



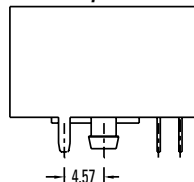
GS-NS



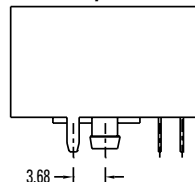
3.05 Option



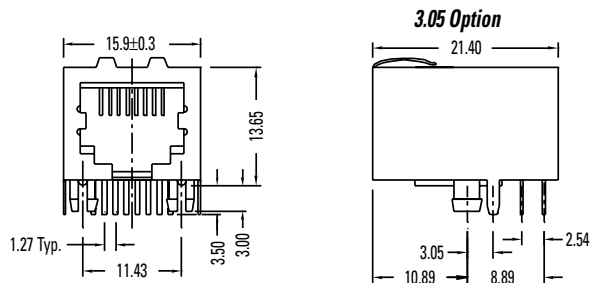
4.57 Option



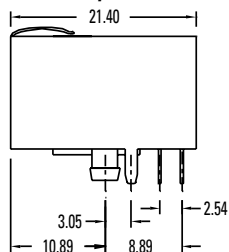
3.68 Option



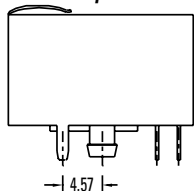
GS-NS2



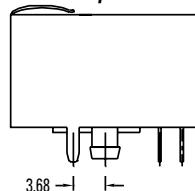
3.05 Option



4.57 Option



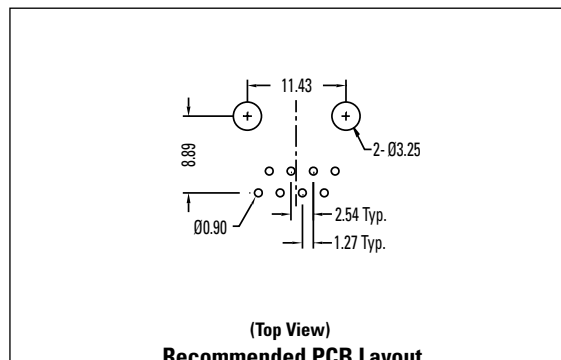
3.68 Option



GS Series Dimensions

Dimensions in mm

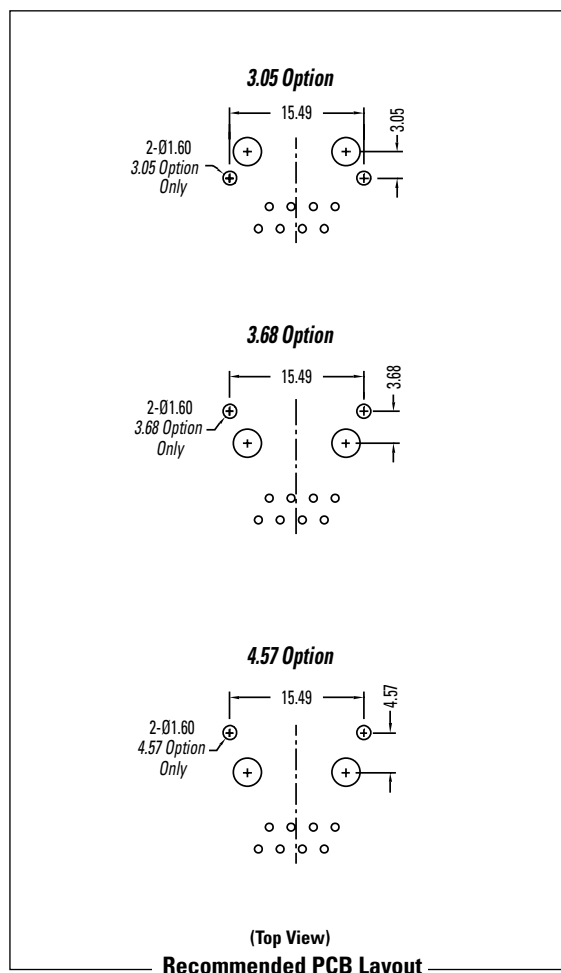
GS-N



(Top View)

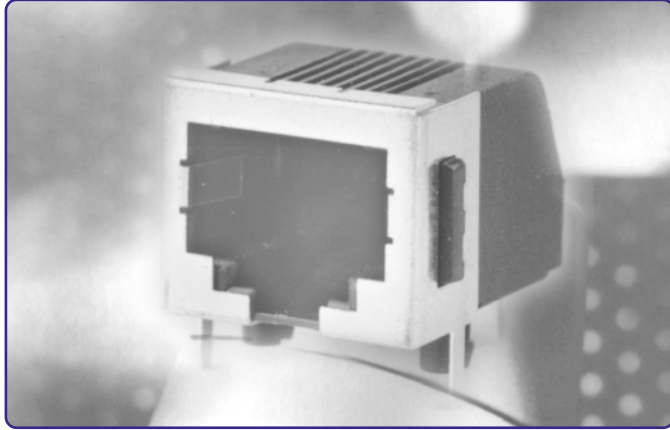
Recommended PCB Layout

GS-NS, GS-NS2



(Top View)

Recommended PCB Layout



GDL Series Right Angle Modular Jack

Features



- 0.492" Height
- Available in SMT and Reflow Compatible Through Hole Designs
- Panel Stops, Shielding and Keying Options Available
- Snap-In Board Retention Tabs
- Available in 6 and 8 Position Housings
- CSA/NRTL Certified File No. LR78160

Performance Specifications

Materials and Finish

Housing Material

GDL - PBT Thermoplastic, Glass Filled, UL94V-0 Rated, Black Color

GDLHT, GDL-SMT - High Temperature Thermoplastic, Reflow Compatible UL94V-0 Rated, Black Color

Shield Material

Copper Alloy, Nickel Plated

Contact Material

Phosphor Bronze

Electrical Characteristics

Insulation Resistance

500 Megohms Min

Dielectric Withstanding Voltage

1000V AC for 1 Minute

Contact Resistance

20 Milliohms Max

Current Rating

1.5 Amps

MODULAR JACKS AND PLUGS

GDL Series

Ordering Information

GDL	-	A	-	6		6		-
Series		Type		Size of Ports		Number of Contacts		Keying Option
								Plating Options

Series

GDL - Right Angle Modular Jack PCB Mount
GDLHT - Reflow Compatible Version
GDL-SMT - Surface Mount Version

Type

A - With Panel Stops, Non-Shielded
N - Without Panel Stops, Non-Shielded
S - With Panel Stops, Shielded

Size of Ports

6 - 6 Positions
8 - 8 Positions

Number of Contacts

4 - 4 Contacts
6 - 6 Contacts
8 - 8 Contacts

Keying Option

Blank - Standard
K - Keyed (8 Positions Only)

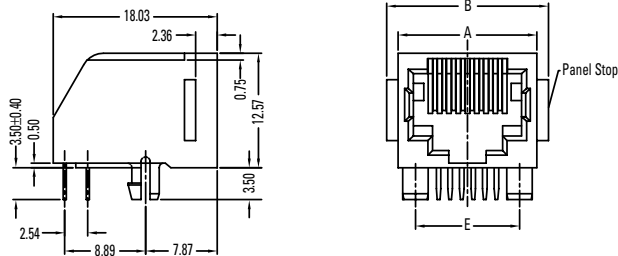
Plating Options

Designator	Plating Description
Standard	Contacts are Plated with 0.0001 Nickel, Selective Plating 0.000015 Gold on Contact area
50	Contacts are Plated with 0.0001 Nickel, Selective Plating 0.000050 Gold on Contact area to Comply with FCC Requirements Under No. 47 C.F.R. Part 68 Subpart F

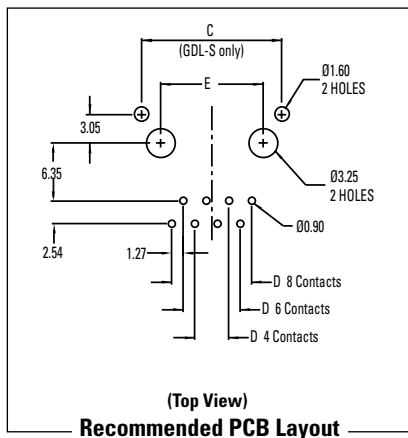
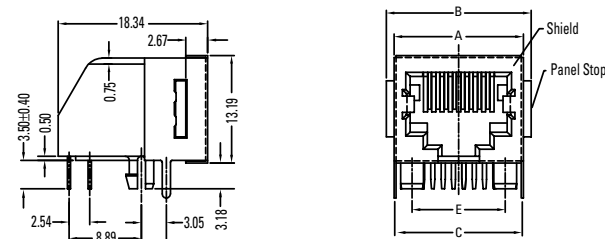
GDL Series Dimensions

Dimensions in mm

GDL, GDLHT Series (Non-Shielded)



GDL, GDLHT Series (Shielded)

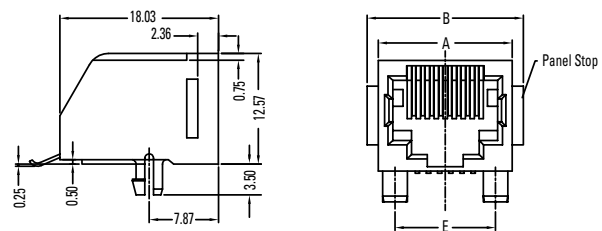


Part Number	A	B	C	D	E
GDL-A-64, GDLHT-A-64	13.21	15.75	—	3.81	10.16
GDL-A-66, GDLHT-A-66	13.21	15.75	—	6.35	10.16
GDL-A-88, GDLHT-A-88	15.24	17.78	—	8.89	11.43
GDL-A-88K	15.24	17.78	—	8.89	11.43
GDL-N-64, GDLHT-N-64	13.21	—	—	3.81	10.16
GDL-N-66, GDLHT-N-66	13.21	—	—	6.35	10.16
GDL-N-88, GDLHT-N-88	15.24	—	—	8.89	11.43
GDL-N-88K	15.24	—	—	8.89	11.43
GDL-S-64, GDLHT-S-64	13.84	15.75	13.72	3.81	10.16
GDL-S-66, GDLHT-S-66	13.84	15.75	13.72	6.35	10.16
GDL-S-88, GDLHT-S-88	15.88	17.78	15.75	8.89	11.43
GDL-S-88K	15.88	17.78	15.75	8.89	11.43

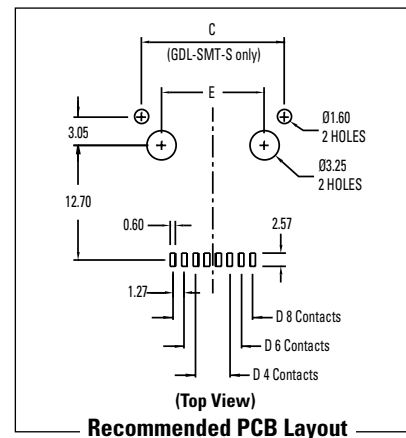
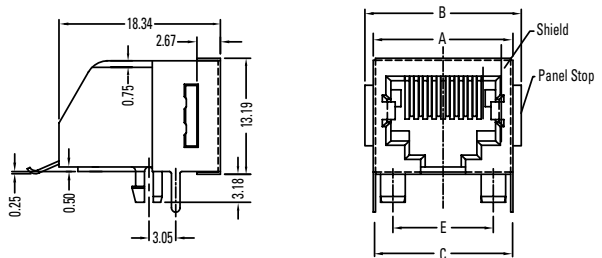
GDL Series Dimensions

Dimensions in mm

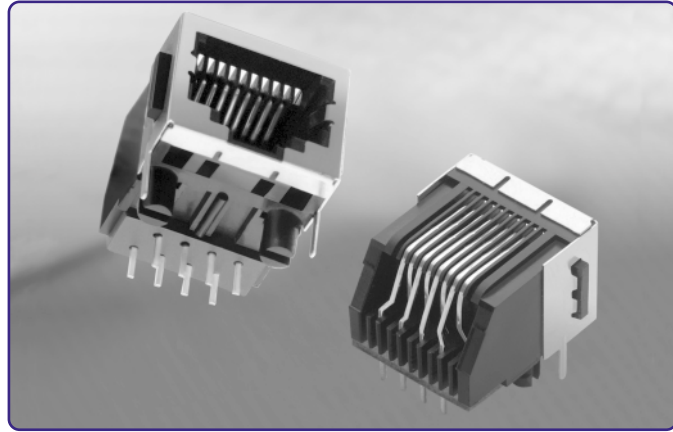
GDL-SMT Series (Non-Shielded)



GDL-SMT Series (Shielded)



Part Number	A	B	C	D	E
GDL-SMT-A-64	13.21	15.75	—	3.81	10.16
GDL-SMT-A-66	13.21	15.75	—	6.35	10.16
GDL-SMT-A-88	15.24	17.78	—	8.89	11.43
GDL-SMT-N-64	13.21	—	—	3.81	10.16
GDL-SMT-N-66	13.21	—	—	6.35	10.16
GDL-SMT-N-88	15.24	—	—	8.89	11.43
GDL-SMT-S-88	15.88	17.78	15.75	8.89	11.43



GDLF Series Right Angle Modular Jack with Ferrite

Features

- 0.520" Height
- Shielding Options Available
- Ferrite Block for High Frequency Noise Filtering
- Grounding Flaps Available
- Snap-In Retention Tabs
- Gold Plated Contacts
- CSA/NRTL Certified File No. LR78160



Performance Specifications

Materials and Finish



Housing Material

PBT Thermoplastic, UL94V-0, Black Color

Shield Material

Copper Alloy, Nickel Plated

Contact Material

Phosphor Bronze

Contact Plating

Standard - 50µ" Gold over Nickel on Contacts
Selective Gold Plating on Contact Area.

Electrical Characteristics

Insulation Resistance

500 Megohms Min

Dielectric Withstanding Voltage

1000V AC for 1 Minute

Contact Resistance

20 Milliohms Max

Current Rating

1.5 Amps

MODULAR JACKS AND PLUGS

GDLF Series

Ordering Information

GDLF	-	S	-	8	-	8	-	50
Series		Shield Options		Number of Positions		Number of Contacts		Plating Options
Series								
GDLF - Right Angle Modular Jack with Ferrite								
Shield Options								
S - Short Shield with Flat Grounding Flaps								
S3 - Extended Shield with Flat Grounding Flaps								
SA - Short Shield with 20° Angled Grounding Flaps								
S3A - Extended Shield with 20° Angled Grounding Flaps								
Number of Positions								
6 - 6 Opening (Only Available with Shield Option "S")								
8 - 8 Opening								
Number of Contacts								
4 - 4 Contacts								
6 - 6 Contacts								
8 - 8 Contacts								
Plating								
50 - 50µ" Gold Plating								

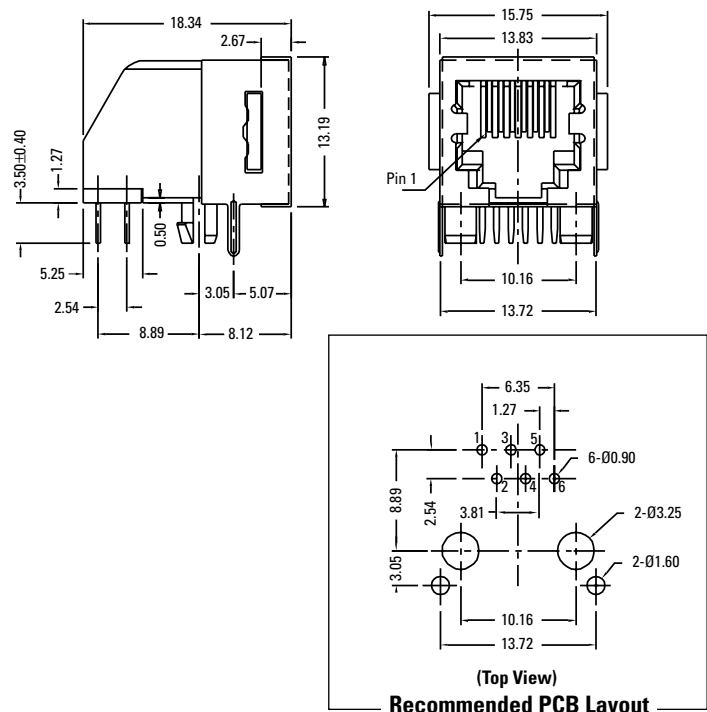
Ferrite Specifications

Test Freq.	Impedance	Test Freq.	Impedance
1 Mhz	1 ohm	50 Mhz	16 ohms
10 Mhz	7 ohms	100Mhz	21 ohms
30 Mhz	13 ohms		

GDLF Series Dimensions

Dimensions in mm

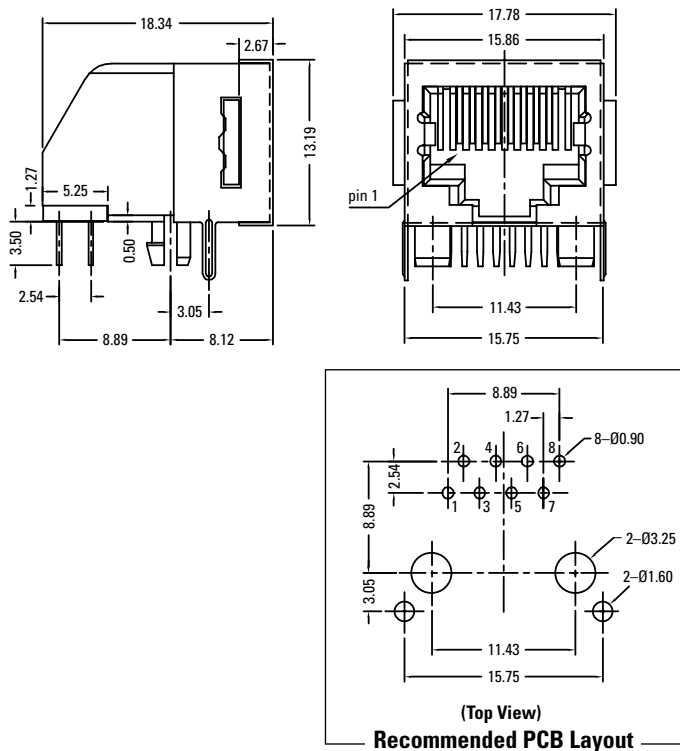
GDLF-S-66-50, GDLF-S-64-50



GDLF Series Dimensions

Dimensions in mm

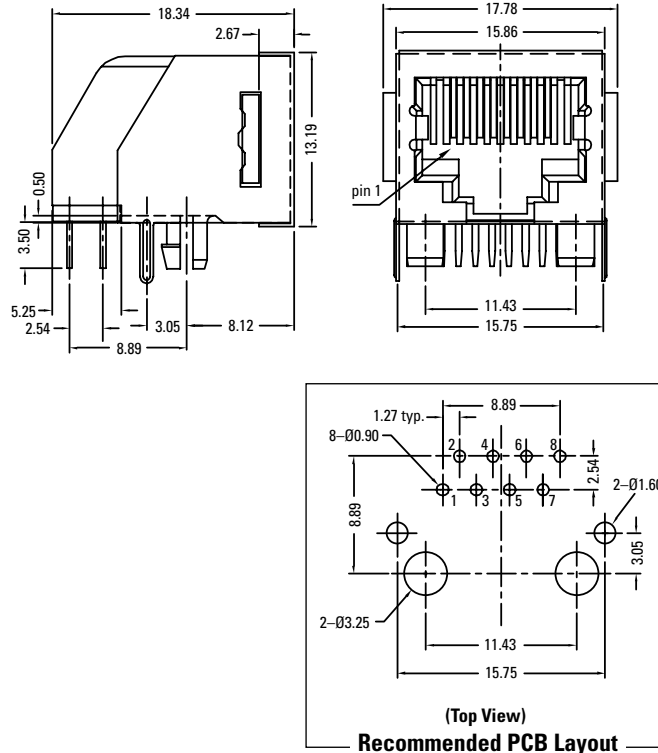
GDLF-S-88-50



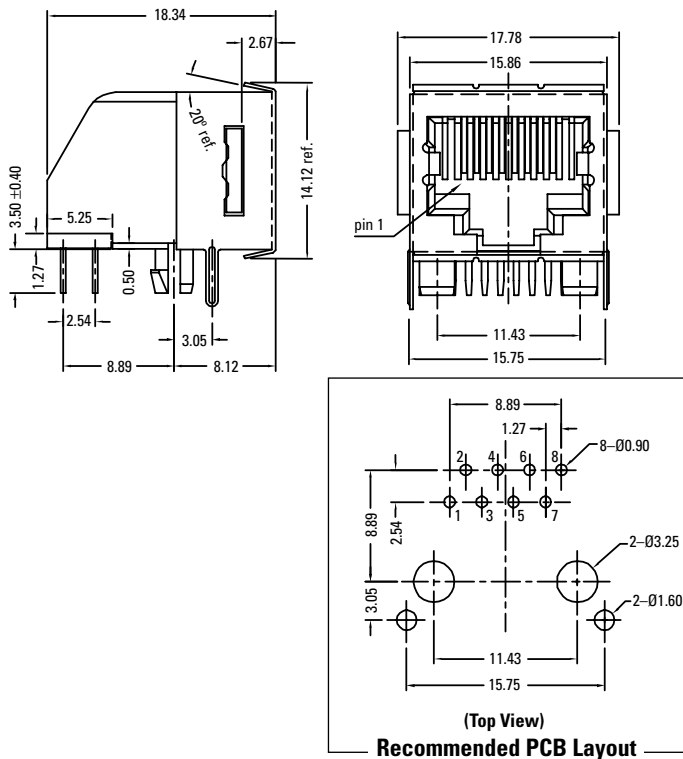
GDLF Series Dimensions

Dimensions in mm

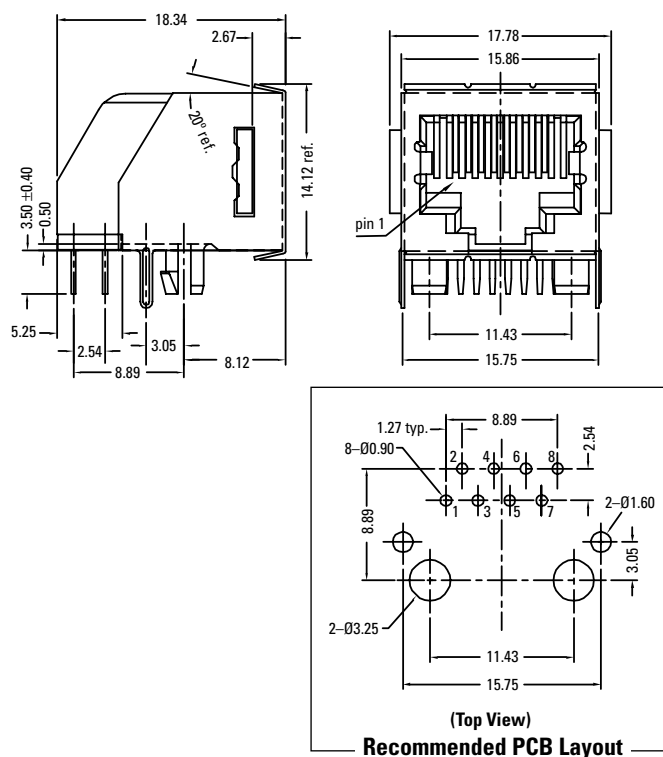
GDLF-S3-88-50

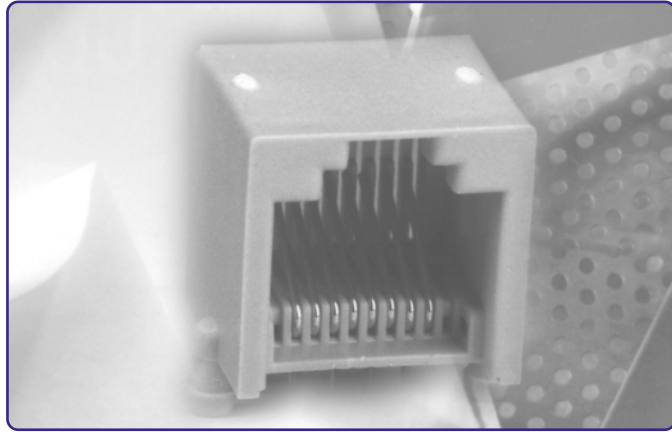


GDLF-SA-88-50



GDLF-S3A-88-50





GL Series Right Angle Modular Jack

Features



- 0.570" Height
- Snap-In Board Retention Tabs
- Available in 4, 6, 8 and 10 Position Housings
- UL Recognized File No. E134345
- CSA/NRTL Certified File No. LR78160

Performance Specifications

Materials and Finish

Housing Material

PBT Thermoplastic, UL 94V-0 Rated, Gray Color

Contact Material

Phosphor Bronze

Plating Options

Designator	Plating Description
Standard	Contacts are Plated with 0.0001 Nickel, Selective Plating 0.000015 Gold on Contact area
50	Contacts are Plated with 0.0001 Nickel, Selective Plating 0.000050 Gold on Contact area to Comply with FCC Requirements Under No. 47 C.F.R. Part 68 Subpart F

Electrical Characteristics

Insulation Resistance

500 Megohms Min

Dielectric Withstanding Voltage

1000V AC for 1 Minute

Contact Resistance

20 Milliohms Max

Current Rating

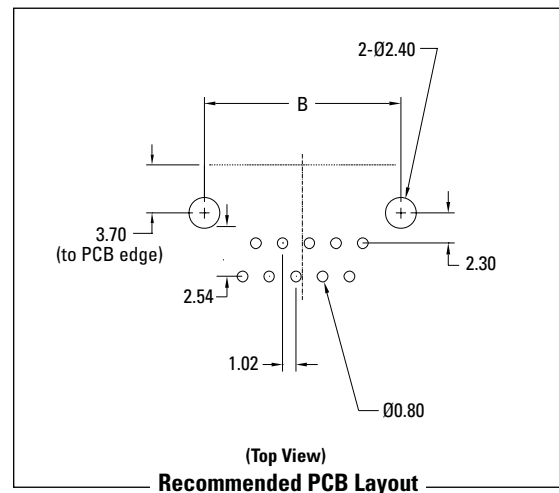
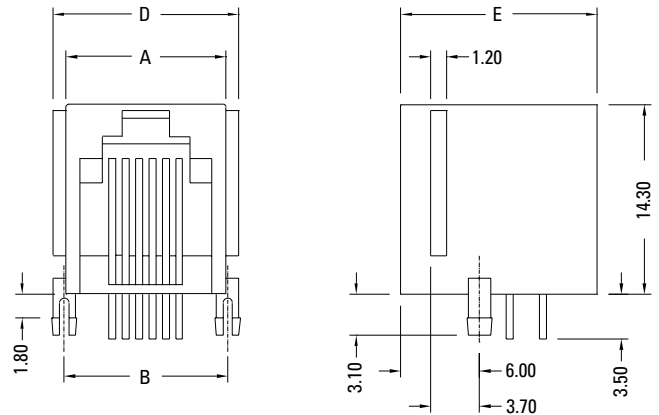
1.5 Amps

MODULAR JACKS AND PLUGS

GL Series

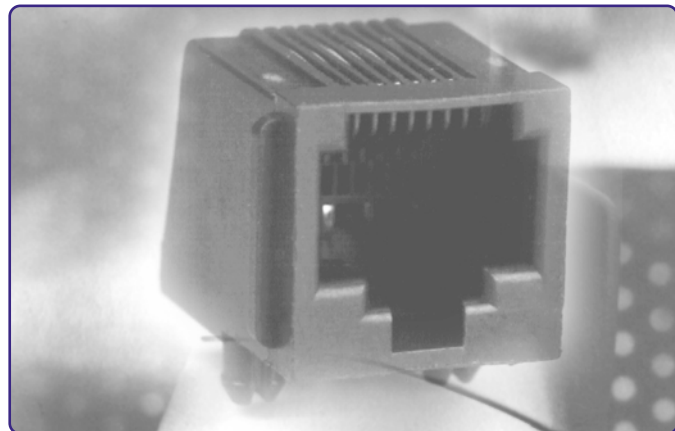
GL Series Dimensions

Dimensions in mm



Ordering Information

Part Number	No. of Positions	No. of Contacts	Panel Stops	A	B	D	E
GL-A-44	4	4	Yes	12.2	12.0	14.2	15.0
GL-N-44	4	4	No	12.2	12.0	—	15.0
GL-N-44M	4	4	No	10.0	10.0	—	13.0
GL-A-64	6	4	Yes	12.2	12.0	14.2	15.0
GL-N-64	6	4	No	12.2	12.0	—	15.0
GL-N-64M	6	4	No	12.2	12.0	—	13.0
GL-A-66	6	6	Yes	12.2	12.0	14.2	15.0
GL-N-66	6	6	No	12.2	12.0	—	15.0
GL-N-66M	6	6	No	12.2	12.0	—	13.0
GL-N-88M	8	8	No	15.1	15.1	—	13.0
GL-N-1010M	10	10	No	15.0	15.0	—	13.0



GDA Series Right Angle Modular Jack

Features

- 0.595" Height
- Snap-In Board Retention Tabs
- Panel Stops
- Available in 4, 6 and 8 Position Housings
- UL Recognized File No. E134345
- CSA/NRTL Certified File No. LR78160



Performance Specifications

Materials and Finish

Housing Material

PBT Thermoplastic, UL 94V-0 Rated, Black Color

Contact Material

Phosphor Bronze

Plating Options

Designator	Plating Description
Standard	Contacts are Plated with 0.0001 Nickel, Selective Plating 0.000015 Gold on Contact area
50	Contacts are Plated with 0.0001 Nickel, Selective Plating 0.000050 Gold on Contact area to Comply with FCC Requirements Under No. 47 C.F.R. Part 68 Subpart F

Electrical Characteristics

Insulation Resistance

500 Megohms Min

Dielectric Withstanding Voltage

1000V AC for 1 Minute

Contact Resistance

20 Milliohms Max

Current Rating

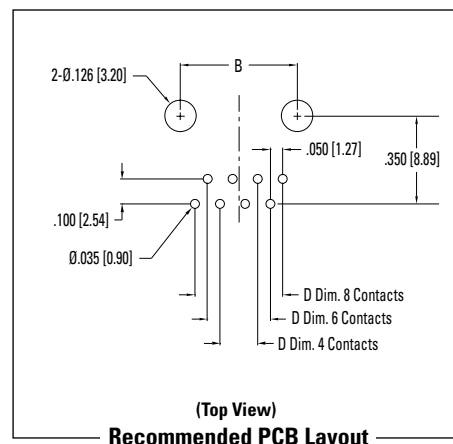
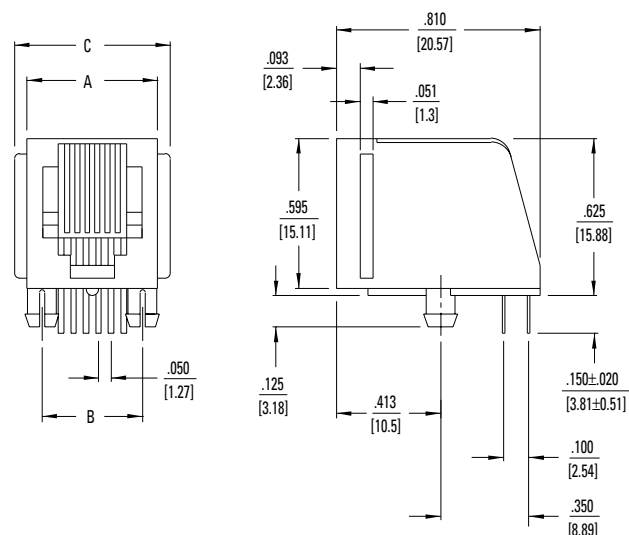
1.5 Amps

MODULAR JACKS AND PLUGS

GDA Series

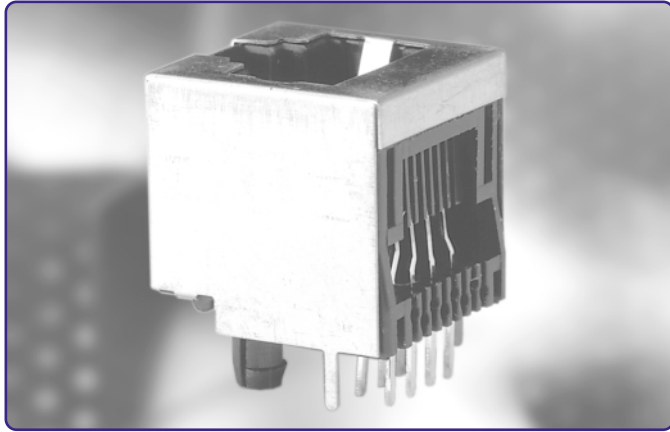
GDA Series Dimensions

Dimensions in In [mm]



Ordering Information

Part Number	No. of Positions	No. of Contacts	A	B	C	D
GD-A-44	4	4	.445 11.30	.300 7.62	.540 13.72	.150 3.81
GD-A-64	6	4	.520 13.20	.400 10.16	.614 15.60	.150 3.81
GD-A-66	6	6	.520 13.20	.400 10.16	.614 15.60	.250 6.35
GD-A-88	8	8	.600 15.24	.450 11.43	.693 17.60	.350 8.89
GD-A-88K	8 Keyed	8	.600 15.24	.450 11.43	.693 17.60	.350 8.89



GDP Series Perpendicular Modular Jack

Features



- For Top Entry
- Panel Stops, Shielding and Keying Options Available
- Available in 4, 6, and 8 Position Housings
- UL Recognized File No. E134345
- CSA/NRTL Certified File No. LR78160

Performance Specifications

Materials and Finish

Housing Material

Polyester, UL 94V-0 Rated, Black Color

Contact Material

Phosphor Bronze

Shield Material

Copper Alloy, Tin Plated

Electrical Characteristics

Insulation Resistance

500 Megohms Min

Dielectric Withstanding Voltage

1000V AC for 1 Minute

Contact Resistance

20 Milliohms Max

Current Rating

1.5 Amps

MODULAR JACKS AND PLUGS

GDP Series

Ordering Information

GD-P	N	-	6	6	
Series	Shield Options		Size of Ports	Number of Contacts	Keying Options

Series

GD-P - Perpendicular Modular Jack

Shield Options

A - Non-Shielded with Panel Stops

N - Non-Shielded without Panel Stops

AS - Shielded with Panel Stops (8 Positions Only)

NS - Shielded without Panel Stops (8 Positions Only)

Size of Ports

4 - 4 Positions

6 - 6 Positions

8 - 8 Positions

Number of Contacts

4 - 4 Contacts

6 - 6 Contacts

8 - 8 Contacts

Keying Options

Blank - Standard

K - Keyed (8 Positions Only)

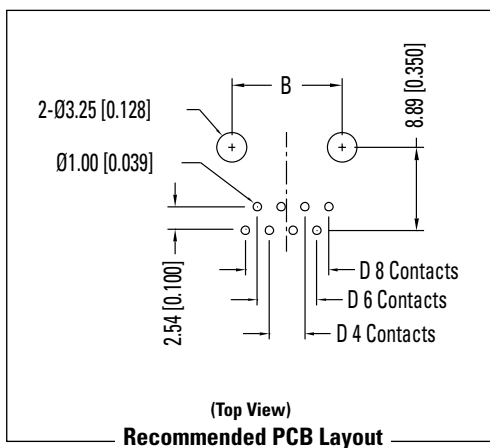
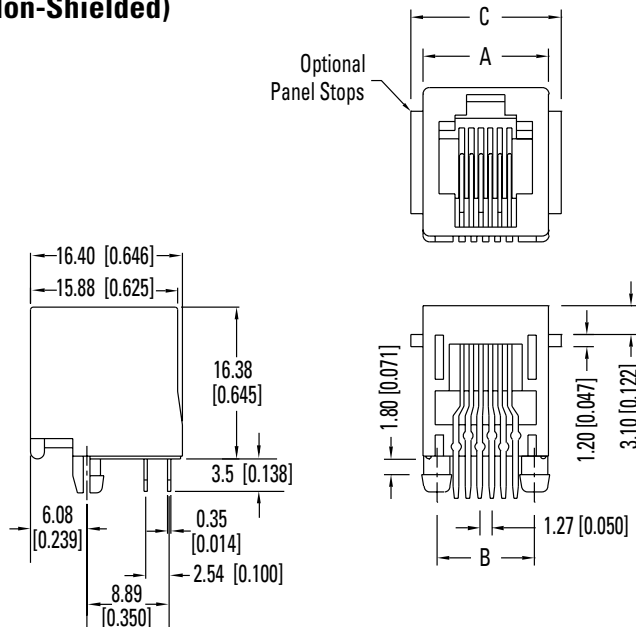
Plating Options

Designator	Plating Description
Standard	Contacts are Plated with 0.0001 Nickel, Selective Plating 0.000015 Gold on Contact area
50	Contacts are Plated with 0.0001 Nickel, Selective Plating 0.000050 Gold on Contact area to Comply with FCC Requirements Under No. 47 C.F.R. Part 68 Subpart F

GDP Series Shielded Dimensions

Dimensions in mm [In]

**GD-PA
(Non-Shielded)**

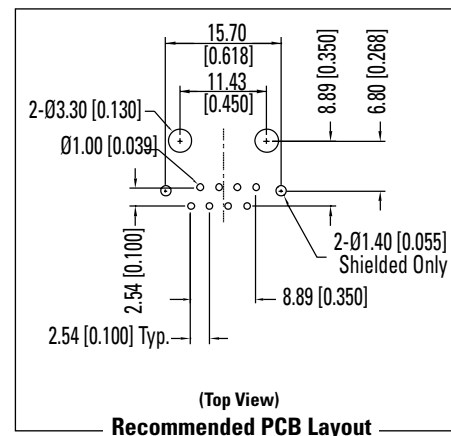
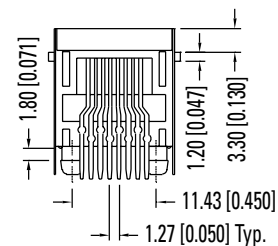
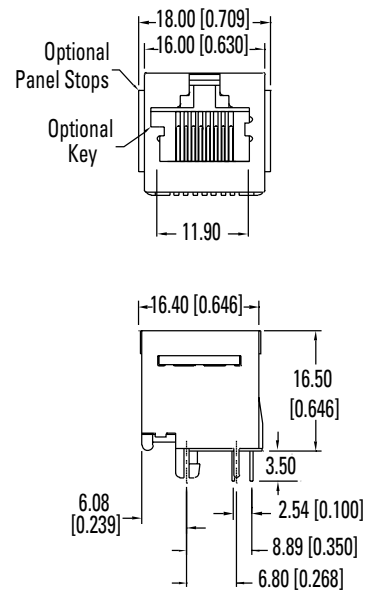


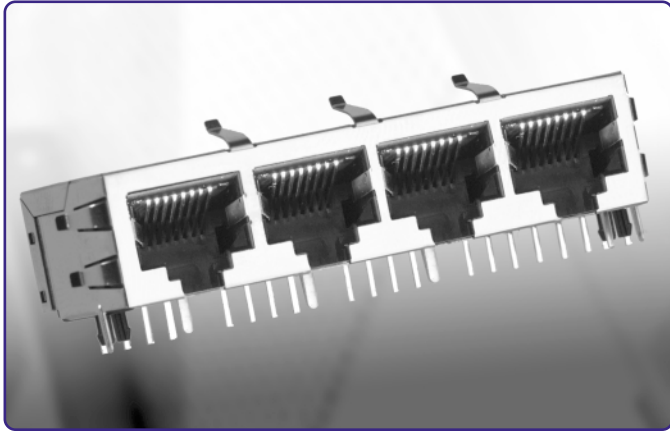
Part Number	Dimensions			
	A	B	C	D
GD-PA-44	11.40	7.62	13.80	3.81
GD-PA-64	13.40	10.16	15.80	3.81
GD-PA-66	13.40	10.16	15.80	6.35
GD-PA-88	15.45	11.43	18.00	8.89
GD-PA-88K	15.45	11.43	18.00	8.89

GDP Series Non Shielded Dimensions

Dimensions in mm [In]

**GD-PAS, GD-PNS (Shielded)
8 Positions Only**





GSG Series Right Angle Gang Jack

Features



- Available in up to 8 Ports
- Available Fully Shielded for Category 5 Applications
- Standard and Reflow Compatible Through Hole Designs Available
- CSA/NRTL Certified File No. LR78160

Performance Specifications

Materials and Finish

Housing Material

PBT Thermoplastic, Glass Filled, UL94V-0 Rated, Black Color

Shield

Copper Alloy, Nickel Plated

Contact Material

Phosphor Bronze

Electrical Characteristics

Insulation Resistance

500 Megohms Min

Dielectric Withstanding Voltage

1000V AC for 1 Minute

Contact Resistance

20 Milliohms Max

Current Rating

1.5 Amps

MODULAR JACKS AND PLUGS

GSG Series

Electrical Performance

Category 5 100MHz bandwidth performance.

Attenuation @ 100MHz less than 0.13dB.

Performance meets Near End Crosstalk (NEXT)

requirements of -40dB @ 100MHz per EIA/TIA 568A

in applications where UL approved Category 5 cable

(GA27-3773-1) is used.

Shielded types offer 20dB shielding from 30MHz to 300MHz

Ordering Information

GSG	-	NS	-	4	-	8	-	8	-	-
Series		Shield Option		No. of Ports		Size of Ports		No. of Contacts		Ground Pin Spacing

Series

GSG - Right Angle Gang Jack P.C.B. Mount

Shield Options - Consult Specifications for Details

N - Non-Shielded

NS - Shielded

NS2 - Shielded with Top Only Ground Tabs

NS7 - Shielded with Top and Side Ground Tabs

Number of Ports

2, 4, 5, 6, 8

Size of Ports

8 - 8 Positions

Number of Contacts

8 - 8 Contacts

Ground Pin Spacing for NS shield

Blank - 3.68

4.57 - 4.57mm

Ground Pin Spacing for NS2 shield

3.68 - 3.68mm

4.57 - 4.57mm

Ground Pin Spacing for NS7 shield

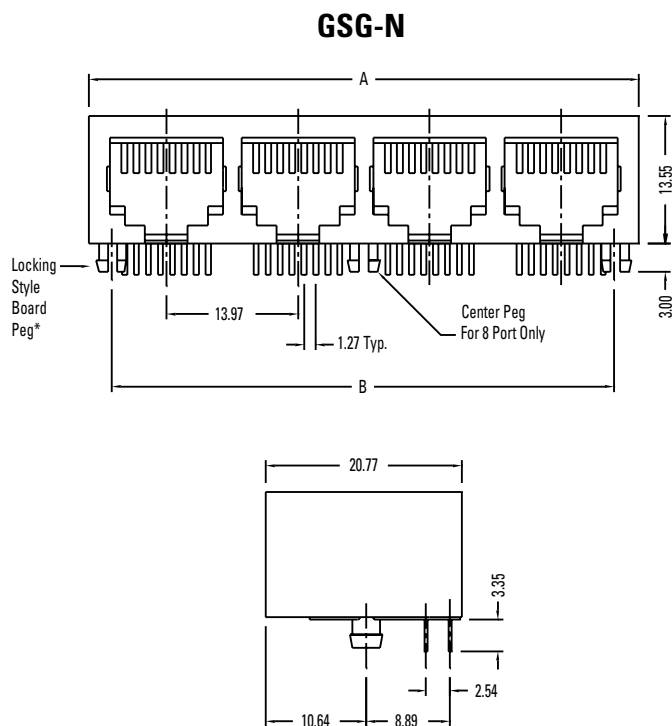
4.57 - 4.57mm

Plating Options

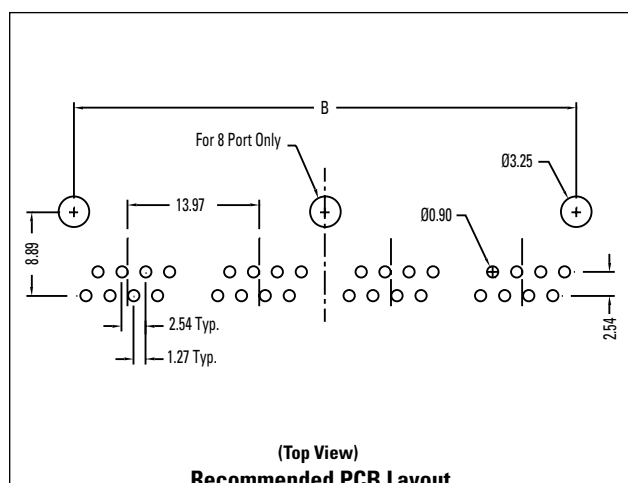
Designator	Plating Description
Standard	Contacts are Plated with 0.0001 Nickel, Selective Plating 0.000015 Gold on Contact area
50	Contacts are Plated with 0.0001 Nickel, Selective Plating 0.000050 Gold on Contact area to Comply with FCC Requirements Under No. 47 C.F.R. Part 68 Subpart F

GSG Series Dimensions

Dimensions in mm



GSG-N



Please Consult Factory for PCB Layout for 5 Port

GSG-N	Number of Ports				
	2	4	5	6	8
A	30.48	58.42	72.39	86.36	114.30
B	25.40	53.34	67.31	81.28	109.22

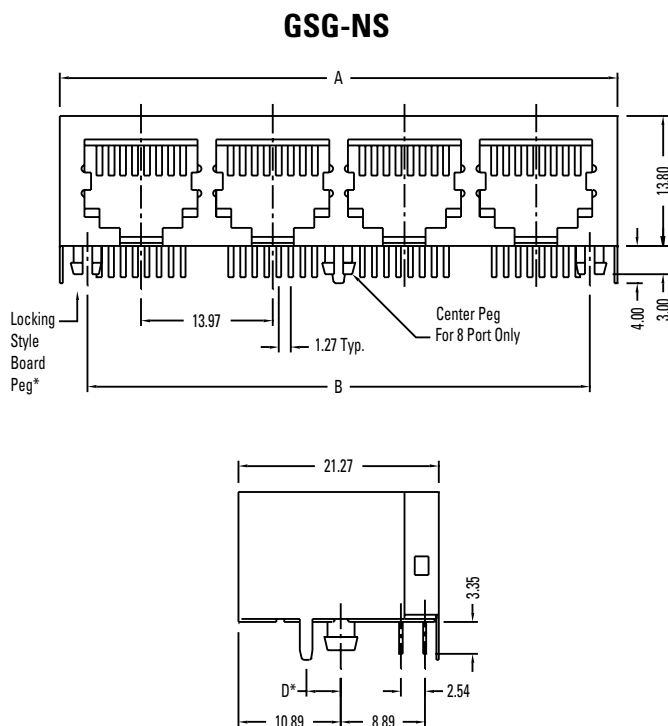
*Some options only available in Diamond Style Board Peg.

MODULAR JACKS AND PLUGS

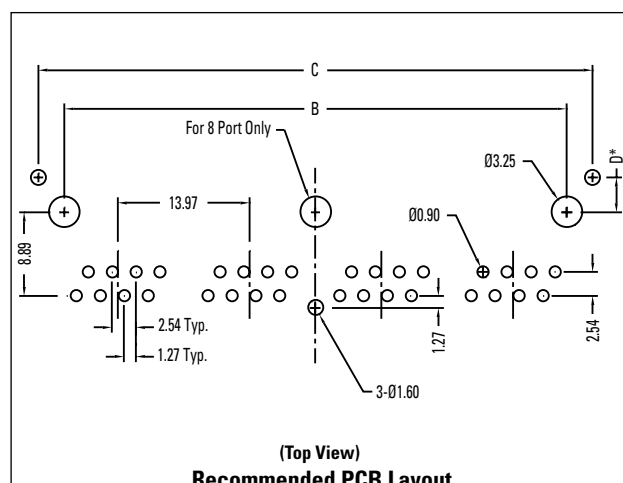
GSG Series

GSG Series Dimensions

Dimensions in mm



GSG-NS



Please Consult Factory for PCB Layout for 5 Port

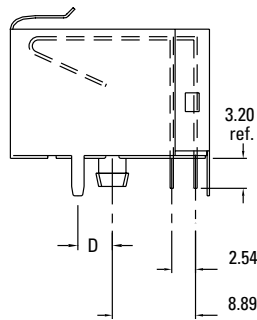
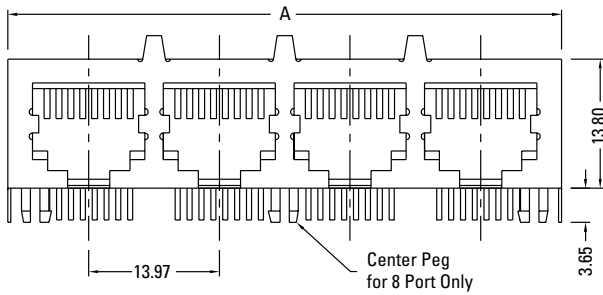
GSG-NS	Number of Ports				
	2	4	5	6	8
A	31.12	59.03	73.03	87.00	114.94
B	25.40	53.34	67.31	81.28	109.22
C	30.87	58.81	72.78	86.75	114.69

D* Ground Pin Spacing, see Page 76 for available options.

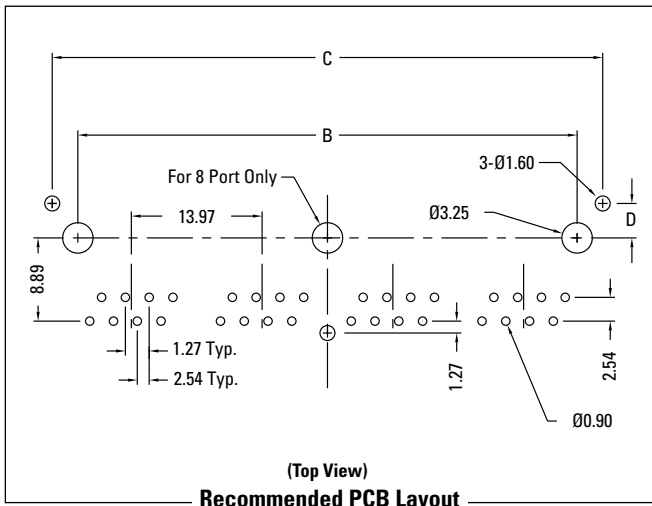
GSG Series Dimensions

Dimensions in mm

GSG-NS2



GSG-NS2



GSG-NS2	Number of Ports			
	2	4	6	8
A	31.12	59.03	87.00	114.94
B	25.40	53.34	81.28	109.22
C	30.87	58.81	86.75	114.69

D* Ground Pin Spacing, see Page 76 for available options.

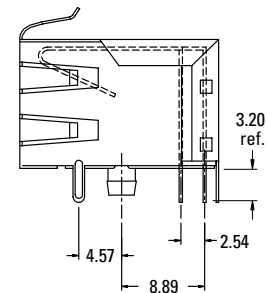
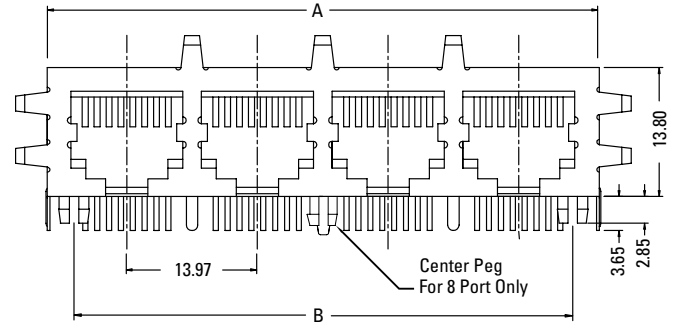
MODULAR JACKS AND PLUGS

GSG Series

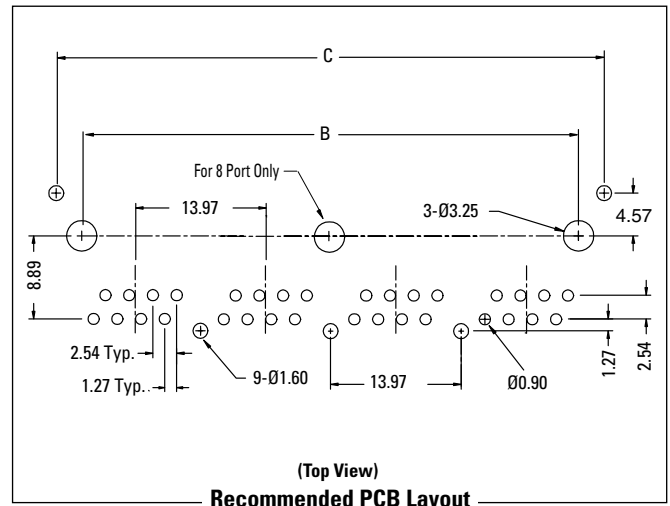
GSG Series Dimensions

Dimensions in mm

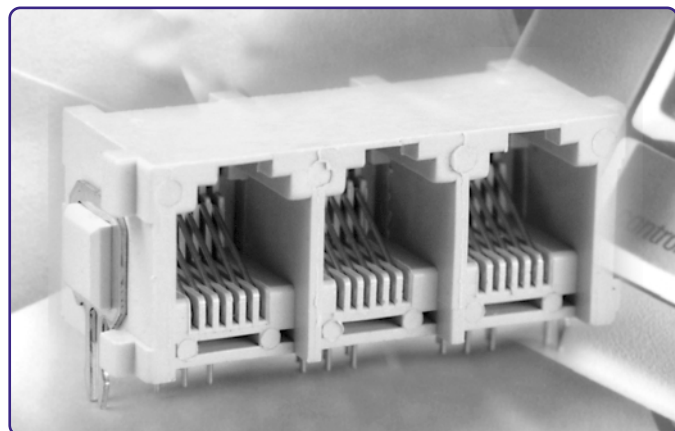
GSG-NS7



GSG-NS7



GSG-NS7	Number of Ports	
	4	8
A	59.03	114.94
B	53.34	109.22
C	58.81	114.69



GA/GP Series Gang Jacks Right Angle and Perpendicular PCB Mount

Features



- Available in 6 and 8 Position Housings
- Available in Both Right Angle and Top Entry Versions
- Ribbed Pin Guides
- Metal Locking Brackets
- UL Recognized File No. E134345
- CSA/NRTL Certified File No. LR78160

Performance Specifications

Materials and Finish

Housing Material

PBT Thermoplastic, UL 94V-0 Rated, Gray Color

Contact Material

Phosphor Bronze

Electrical Characteristics

Insulation Resistance

500 Megohms Min

Dielectric Withstanding Voltage

1000V AC for 1 Minute

Contact Resistance

20 Milliohms Max

Current Rating

1.5 Amps

MODULAR JACKS AND PLUGS

GA / GP Series

Ordering Information

GA	-	4	-	6	-	4	-	
Series		Number of Ports		Size of Ports		Number of Contacts		Plating Options

Series

GA-Right Angle P.C.B. Mount

GP-Perpendicular P.C.B. Mount

Number of Ports

2, 3, 4, 5, 6, 7, 8

Size of Ports

6-6 Positions (Up to 8 Ports Maximum)

8-8 Positions (Up to 4 Ports Maximum)

Number of Contacts

2-2 Contacts

4-4 Contacts

6-6 Contacts

8-8 Contacts

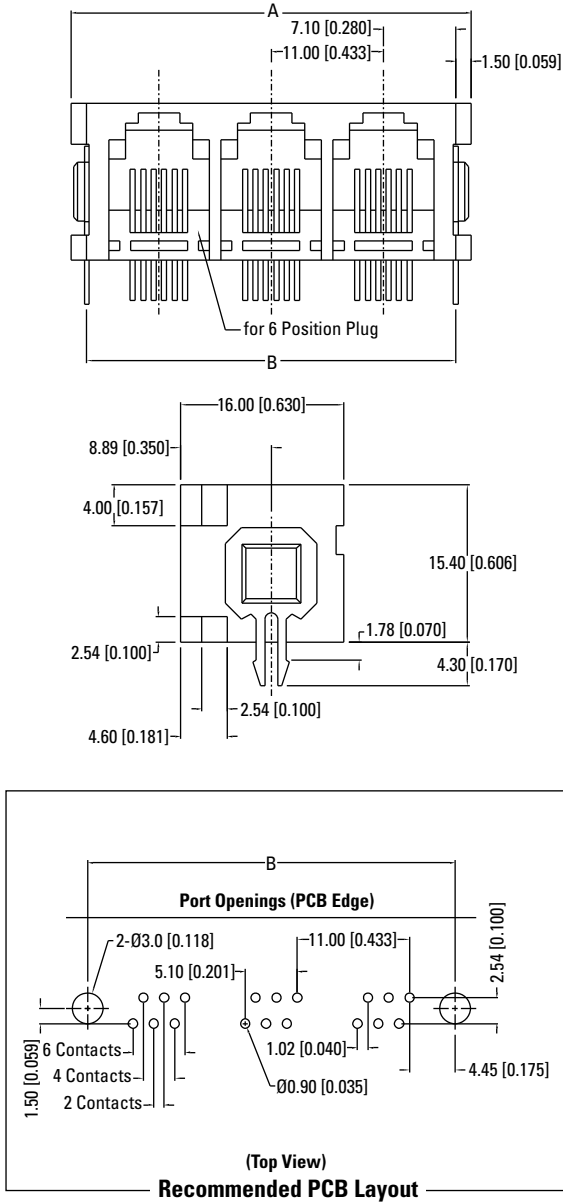
Plating Options

Designator	Plating Description
Standard	Contacts are Plated with 0.0001 Nickel, Selective Plating 0.000015 Gold on Contact Area
50	Contacts are Plated with 0.0001 Nickel, Selective Plating 0.000050 Gold on Contact Area to Comply with FCC Requirements Under #47 C.F.R. Part 68 Subpart F

GA Series Dimensions

(6 Position)

Dimensions in mm [In]



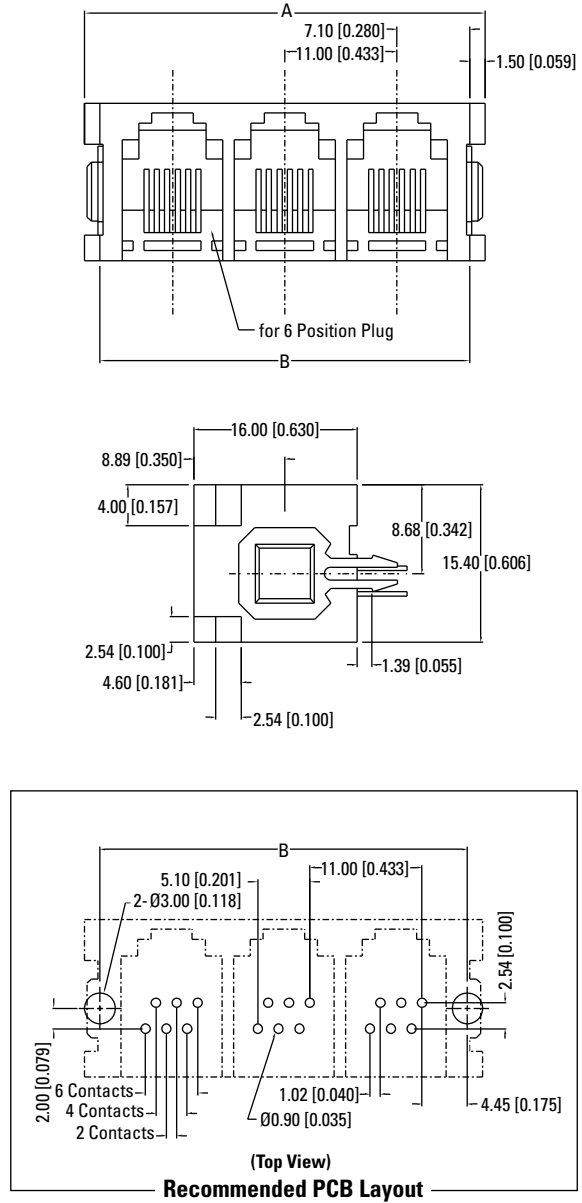
In
mm

Dimensions	Number of Ports						
	2	3	4	5	6	7	8
A	1.110 28.20	1.543 39.20	1.976 50.20	2.410 61.20	2.843 72.20	3.275 83.20	3.710 94.20
B	0.984 25.00	1.417 36.00	1.850 47.00	2.283 58.00	2.717 69.00	3.150 80.00	3.583 91.00

GP Series Dimensions

(6 Position)

Dimensions in mm [In]



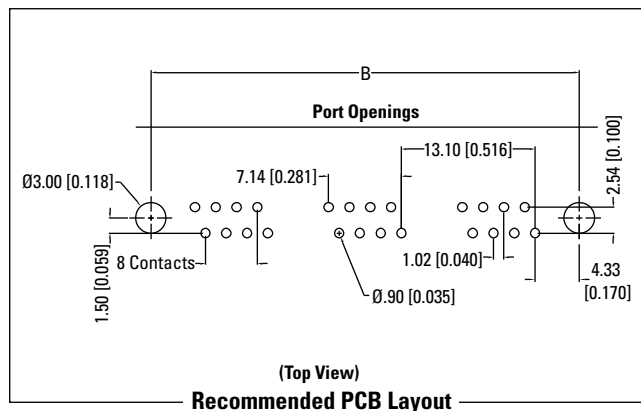
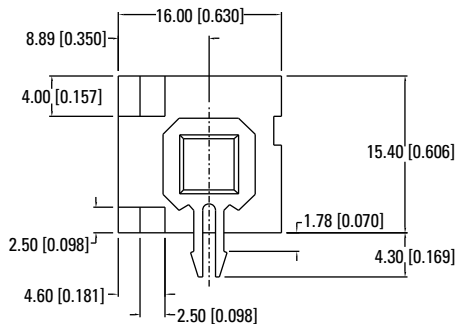
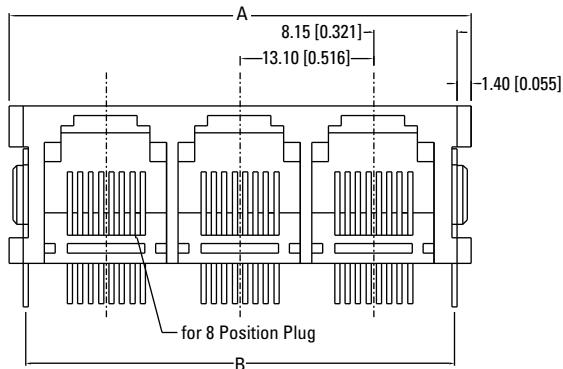
In
mm

Dimensions	Number of Ports						
	2	3	4	5	6	7	8
A	1.110 28.20	1.543 39.20	1.976 50.20	2.410 61.20	2.843 72.20	3.275 83.20	3.710 94.20
B	0.984 25.00	1.417 36.00	1.850 47.00	2.283 58.00	2.717 69.00	3.150 80.00	3.583 91.00

GA Series Dimensions

(8 Position)

Dimensions in mm [In]



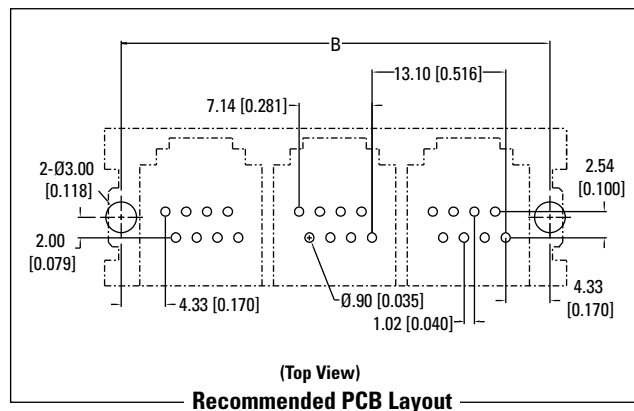
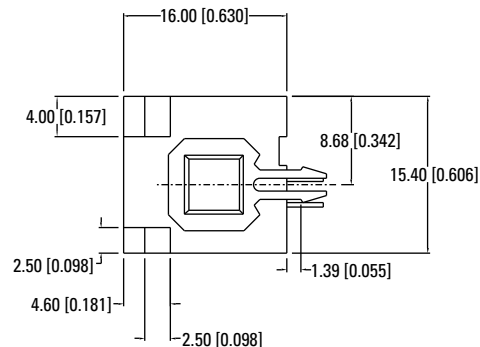
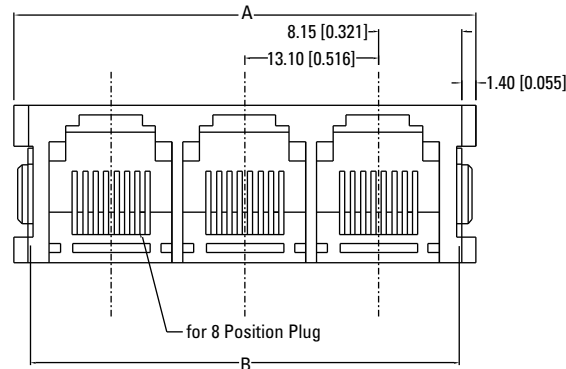
In
mm

Dimensions	Number of Ports		
	2	3	4
A	1.272 32.30	1.783 45.30	2.303 58.50
B	1.138 28.90	1.654 42.00	2.169 55.10

GP Series Dimensions

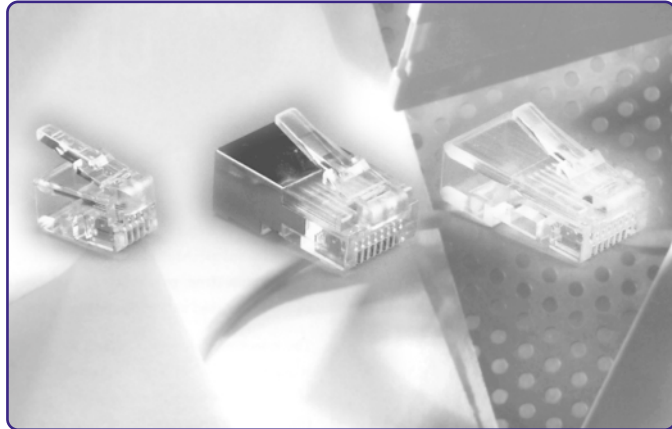
(8 Position)

Dimensions in mm [In]



In
mm

Dimensions	Number of Ports		
	2	3	4
A	1.272 32.30	1.783 45.30	2.303 58.50
B	1.138 28.90	1.654 42.00	2.169 55.10



MP/MPS Series Modular Plugs

Features

- Licensed From AT&T
- To Mate with W.E. Co. and FCC 68 Jacks
- All Pins From High Strength Copper Alloy JIS C5191R-H
- Available For Flat or Round Cable with Stranded or Solid Wires
- Shielded Version Available
- UL Recognized File No. E134345
- CSA/NRTL Certified File No. LR78160



Performance Specifications

Materials and Finish

Housing Material

Polycarbonate, UL 94V-2 Rated

Contact Material

High Strength Copper Alloy JIS C5191R-H

Electrical Characteristics

Insulation Resistance

500 Megohms Min

Dielectric Withstanding Voltage

1000V AC for 1 Minute

Contact Resistance

20 Milliohms Max

Current Rating

1.5 Amps

Recommended Wire Gauge

26-28 Awg.

Contact Plating Options

Designator	Plating Description
1000	Gold Flash Over 0.0001 Nickel
5000	Contacts are Plated with 0.0001 Nickel, Selective Plating 0.000050 Gold on Contact area to Comply with FCC Requirements Under No. 47 C.F.R. Part 68 Subpart F

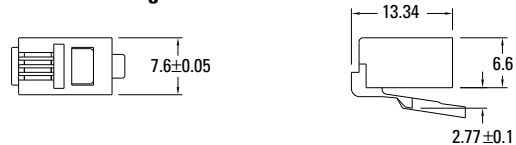
MODULAR JACKS AND PLUGS

MP / MPS Series

Ordering Information

MP	6	4	-	1000	
Series	Number of Positions	Number of Contacts	Cable Jacket	Plating Options	Wire Type
Series					
MP - Kycon Modular Telephone Plug					
MPS - Kycon Shielded Modular Telephone Plug*					
Number of Positions					
4, 6, 8, 10					
Number of Contacts					
2 - 2 Contacts					
4 - 4 Contacts					
6 - 6 Contacts					
8 - 8 Contacts					
10 - 10 Contacts (Round Cable Only)					
Cable Jacket					
Blank - Flat Cable					
R - Round Cable					
Wire Type					
Blank - Stranded Wire					
S - Solid Wire					
Crimp Machine Compatibility					
Blank - Standard					
A - Shifted Crimp Location*					
Other Options					
K - Keyed*					

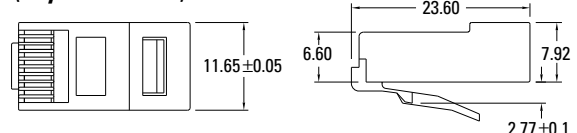
4 Position Plug



6 Position Plug



8-10 Position Plug (Keyed Available)



Dimensions in mm

*Contact factory for specifications. 888-KYCON-22

KYCON continues its leadership in Mini-DIN and Circular DIN connectors by offering a complete line of styles and options.

Features:

- Audio, Video, Computer and Digital Equipment Applications
- Snap and Lock Options Available
- PCB and Panel Mount Options
- Variety of Shielding Options for Better Conductivity, Grounding and EMI/RFI Protection
- Visual and Mechanical Polarization for Plug Inspection
- CSA/NRTL Certified File No. LR78160



MINI-DINs / CIRCULAR DINs

Directory

Right Angle Mini-DINs

- KMDG - Gold Plated** 84
- KFMDG - Ferrite** 85
- KMDG - Stacked** 88
- KMDT - Slim Design** 90



Vertical Mini-DINs

- KMDVL -** 92



Panel Mount Mini-DINs

- KMDPL -** 94



Cable Mount Mini-DINs

- KMDLA -** 95



Right Angle Circular DINs

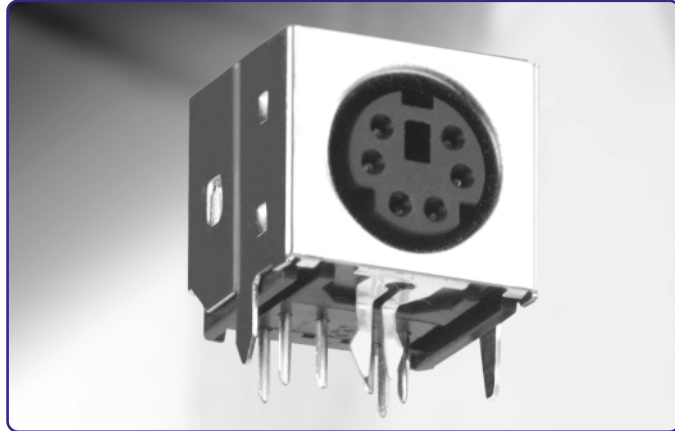
- KCD -** 96



Options:

Series	KMDG	KFMDG	KMDG Stacked	KMDT	KMDVL	KMDPL	KMDLA	KCD
Right Angle	•	•	•	•				•
Vertical					•			
Panel Mount						•		
Cable Mount							•	
Socket	•	•	•	•	•	•		•
Plug							•	
Non-Shielded	•				•	•	•	•
Shielded	•	•	•	•				•
Reflow Compatible	•		•	•				•
Surface Mount				•				
Stacked			•					
Ferrite		•						
3 Contacts	•	•			•	•	•	•
4 Contacts	•	•	•	•	•	•	•	
5 Contacts	•	•			•	•	•	•
6 Contacts	•	•	•	•	•	•	•	•
7 Contacts	•	•					•	•
8 Contacts	•	•	•		•	•	•	•
9 Contacts	•							

KYCON Tech Support: **1-888-KYCON-22**
or E-mail: sales@kycon.com



KMDG Series Right Angle Mini-DIN Gold Plated

Features



- Audio, Video, Computer, and Digital Equipment Applications
- PC99 Colors Available
- Shielded Options Available for Good Conductivity, Grounding and EMI/RFI Protection
- Mates with Standard and Snap and Lock Plugs
- Visual and Mechanical Polarization for Plug Insertion
- Gold Plated Contacts
- Reflow Compatible Design Available
- CSA/NRTL Certified File No. LR78160

Performance Specifications

Body

KMDG - PBT Thermoplastic, Black, Purple, Green or Yellow Color, UL94V-0 Rated

KMDGHT - High Temperature Thermoplastic, Black Color, UL94V-0 Rated

Contacts

Phosphor Bronze, Gold Plated

Shield

Standard: Brass, Tin/Lead Plated

HT: Brass, Tin Plated

Mechanical Characteristics

Insertion Force

0.5 kg - 4.5 kg

Extraction Force

0.4 kg - 3.5 kg

Durability

500 Cycles Minimum with Test Plug

MINI-DINs / CIRCULAR DINs

KMDG Series

Electrical Characteristics

Contact Current Rating

2 Amp at 12V DC

Insulation Resistance

500 Megohms Min at 500V DC

Contact Resistance

Before Durability Test

Plug to Shield: 50 Milliohms Max.

Plug to Terminals: 30 Milliohms Max

After Durability Test

Plug to Shield: 100 Milliohms Max

Plug to Terminals: 60 Milliohms Max.

Dielectric Withstanding Voltage

500V AC for 1 Minute

Operating Temperature

-25°C to +85°C

Ordering Information

KMDG	-	6	S	-	BS	
Series		Number of Contacts	Contact Type		Shielding Options	Plating Options
<p>Series* KMDG - Kycon Right Angle PCB Mount Mini-DIN KMDGHT - Reflow Compatible Version**</p>						
<p>Number of Contacts 3, 4, 5, 6, 7, 8, 9</p>						
<p>Contact Type S - Receptacle</p>						
<p>Shielding Options N - Non-Shielded AS - Sides and Back Shielded BS - Fully Shielded BSC - Fully Shielded with Crimped Side Tabs</p>						

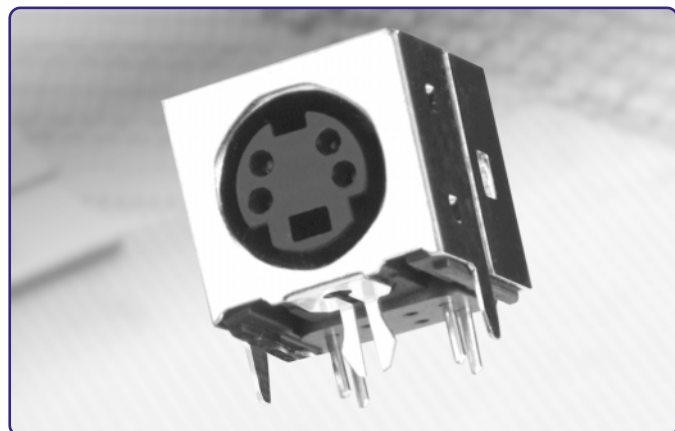
Plating Option

Standard	Gold flash over nickel on contacts. Tin/lead over nickel on soldertails
30	30µ" gold over nickel on mating end of contacts. Tin/lead over nickel on soldertails.**

For Dimensions and PCB Layout Please See Page 86 and 87

*KMDG-GEO-7S-BS also available (see page 86)

** Minimum Quantities May Apply



KFMDG Series Right Angle Mini-DIN with Ferrite

Features



- Audio, Video, Computer and Digital Equipment Applications
- Shielded Options Available for Good Conductivity, Grounding and EMI/RFI Protection
- Mates with Standard and Snap and Lock Plugs
- Visual and Mechanical Polarization for Plug Insertion
- Gold Plated Contacts
- CSA/NRTL Certified File No. LR78160
- Ferrite Block for High Frequency Noise Filtering

Performance Specifications

Body

KFMDG - PBT Thermoplastic, Black Color, UL94V-0 Rated

Contacts

Phosphor Bronze, Gold Plated

Shield

Brass, Tin/Lead Plated

Mechanical Characteristics

Insertion Force

0.5 kg - 4.5 kg

Extraction Force

0.4 kg - 3.5 kg

Durability

500 Cycles Minimum with Test Plug

MINI-DINs / CIRCULAR DINs

KFMDG Series

Electrical Characteristics

Contact Current Rating

2 Amp at 12V DC

Insulation Resistance

500 Megohms Min

Contact Resistance

Before Durability Test

Plug to Shield: 50 Milliohms Max.

Plug to Terminals: 30 Milliohms Max

After Durability Test

Plug to Shield: 100 Milliohms Max

Plug to Terminals: 60 Milliohms Max.

Dielectric Withstanding Voltage

500V AC for 1 Minute

Operating Temperature

-25°C to +85°C

Ferrite Specifications

Impedance	Value	Test Frequency
Z (Ohm)	13-15 Min	30 MHz
Z (Ohm)	15-18 Min	50 MHz
Z (Ohm)	20-22 Min	100 MHz

Ordering Information

KFMDG	-	6	S	-	BS	
Series		Number of Contacts	Contact Type		Shielding Options	Plating Options

Series

KFMDG - Right Angle PCB Mount Mini-DIN with Ferrite

Number of Contacts

3, 4, 5, 6, 7, 8

Contact Type

S - Receptacle

Shielding Options

BS - Fully Shielded

BSC- Fully Shielded with Crimped Side Tabs

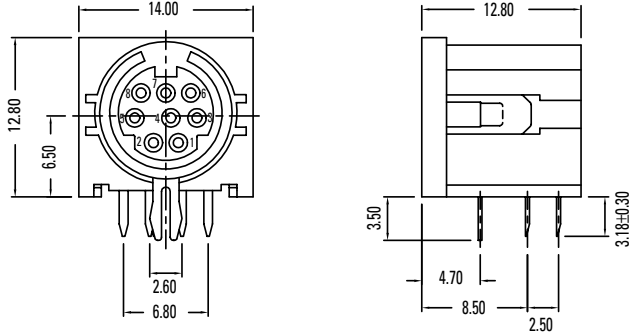
Plating Option

Standard	Gold flash over nickel on contacts. Tin/lead over nickel on soldertails
30	30µ" gold over nickel on mating end of contacts. Tin/lead over nickel on soldertails.

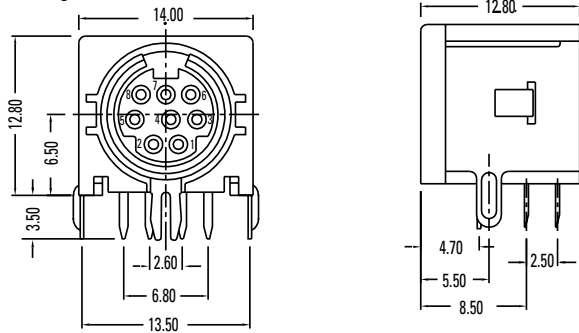
KMDG & KFMDG Series Dimensions

Dimensions in mm

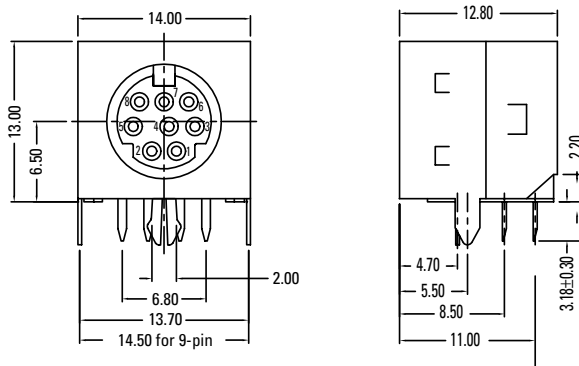
-N Option (Non-Shielded)



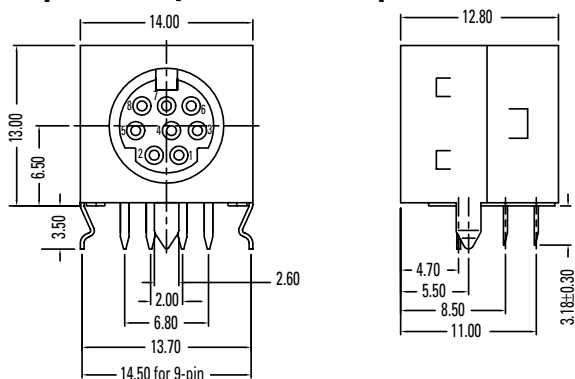
-AS Option (4 Side Shielded)



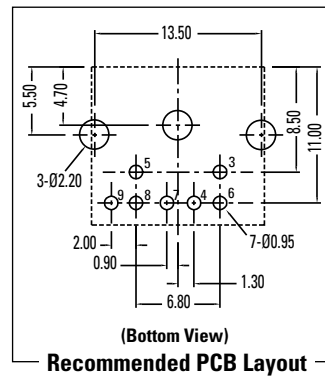
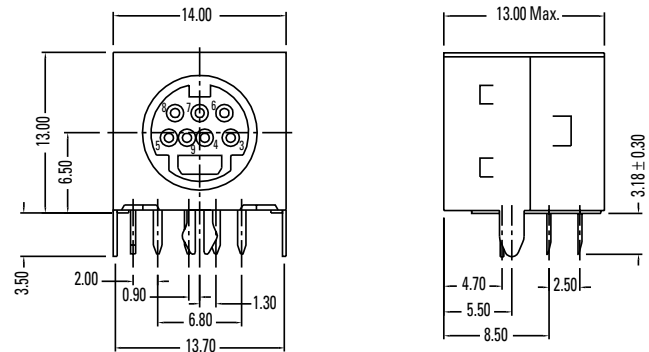
-BS Option (Fully Shielded)



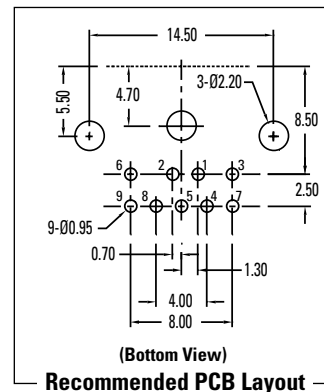
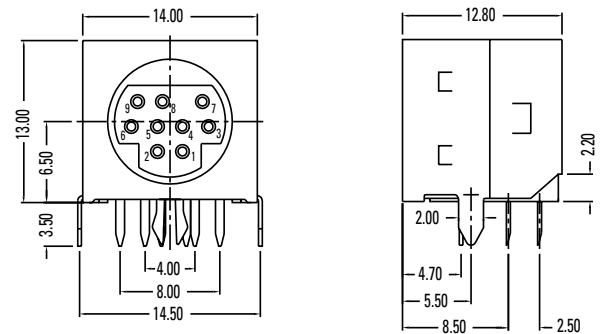
-BSC Option (Fully Shielded Crimped Side Tabs)



KMDG-GEO-7S-BS (7 Position, GEO Port)



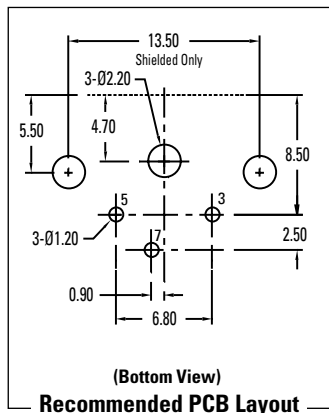
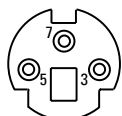
KMDG-9S-BS (9 Position, Fully Shielded)



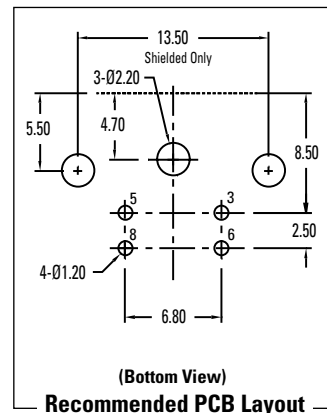
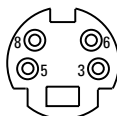
**KMDG & KFMDG Series
Socket Configurations and
Recommended PCB Layout**

Dimensions in mm

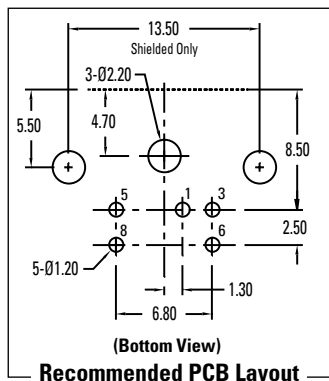
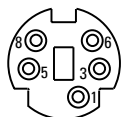
3 Position



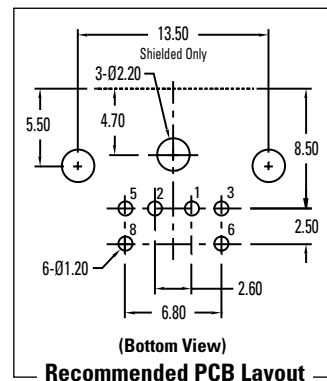
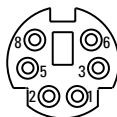
4 Position



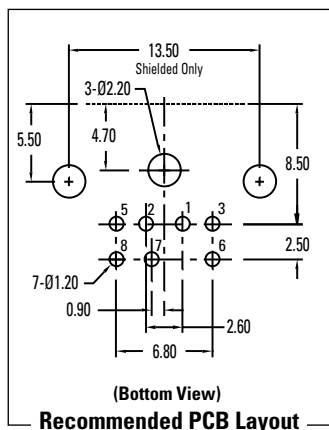
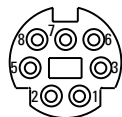
5 Position



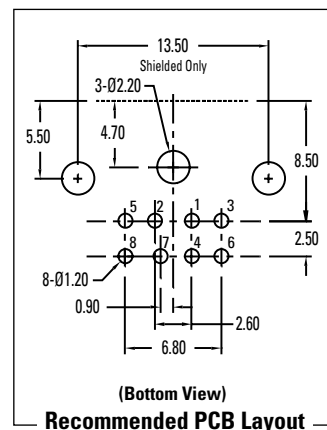
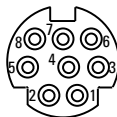
6 Position

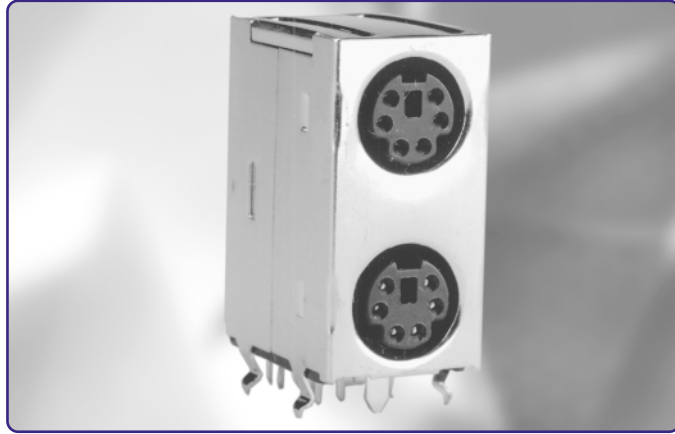


7 Position



8 Position





KMDG Series Stacked Mini-DIN Gold Plated

Features



- Audio, Video, Computer and Digital Equipment Applications
- Mates with Standard and Snap and Lock Plugs
- Space Saving Stacked Design
- Shielded Options Available for Good Conductivity, Grounding and EMI/RFI Protection
- Visual and Mechanical Polarization for Plug Insertion
- Gold Plated Contacts
- Reflow Compatible Design Available
- CSA/NRTL Certified File No. LR78160

Performance Specifications

Body and Base

KMDG - PBT Thermoplastic, Black Color, UL94V-0 Rated
KMDGHT - High Temperature Thermoplastic, Black Color, UL94V-0 Rated

Contacts

Phosphor Bronze, Gold Plated

Shield

Standard: Brass, Tin/Lead Plated
HT: Brass, Tin Plated

Mechanical Characteristics

Insertion Force

0.5 kg - 4.5 kg

Extraction Force

0.4 kg - 3.5 kg

Durability

500 Cycles Minimum with Test Plug

MINI-DINs / CIRCULAR DINs

KMDG-*S / *S Series

Electrical Characteristics

Contact Current Rating

1 Amp at 12V DC

Insulation Resistance

500 Megohms Min

Contact Resistance

Before Durability Test

Plug to Shield: 50 Milliohms Max.

Plug to Terminals: 30 Milliohms Max

After Durability Test

Plug to Shield: 100 Milliohms Max

Plug to Terminals: 60 Milliohms Max.

Dielectric Withstanding Voltage

500V AC for 1 Minute

Operating Temperature

-25°C to +85°C

Ordering Information

KMDG	-	6S/6S	-	S4N	
Series		Configuration		Shield Options	Plating Options
Series					
KMDG - Kycon Right Angle PCB Mount Mini-DIN					
KMDGHT - Reflow Compatible Version*					
Configuration					
4S/4S - 4 Contacts over 4 Contacts					
6S/6S - 6 Contacts over 6 Contacts					
4S/6S - 4 Contacts over 6 Contacts					
4S/8S - 4 Contacts over 8 Contacts**					
6S/8S - 6 Contacts over 8 Contacts**					
8S/8S - 8 Contacts over 8 Contacts**					
Shield Options					
S4N - Fully Shielded					
S4N1 - Fully Shielded with Mounting Hole					
S4N2 - Fully Shielded with Shifted Ground Pin and Mounting Hole					

Plating Option

Standard	Gold flash over nickel on contacts. Tin/lead over nickel on soldertails.
30	30µ" gold over nickel on mating end of contacts. Tin/lead over nickel on soldertails.*

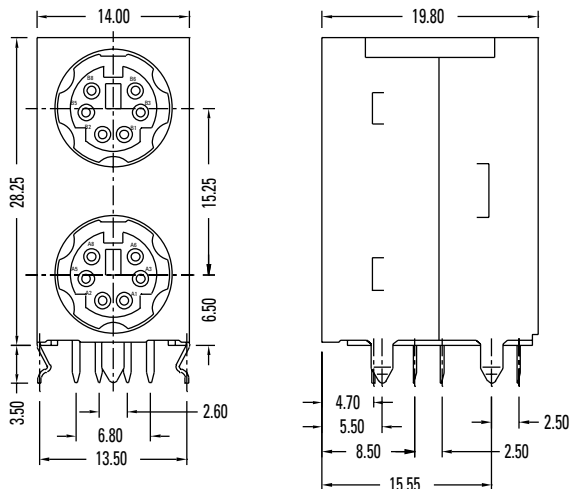
* Minimum Quantities May Apply

** Contact Factory for Specifications

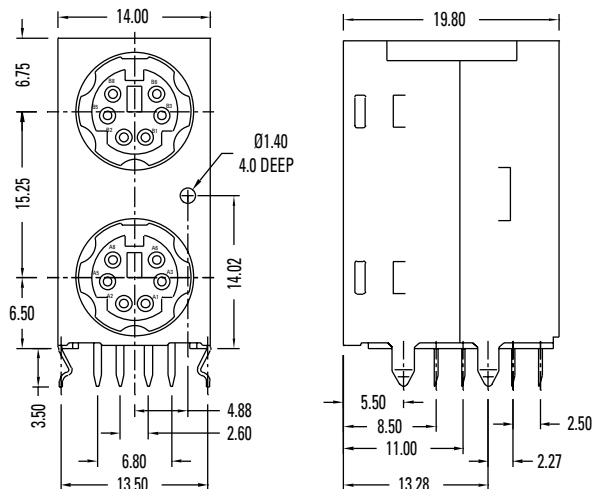
KMDG-*S/*S Series Dimensions

Dimensions in mm

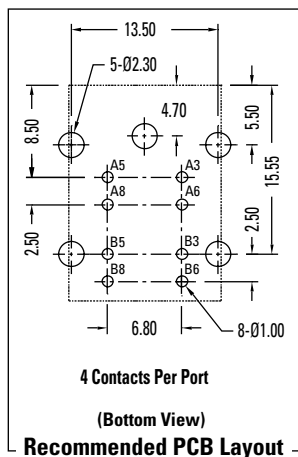
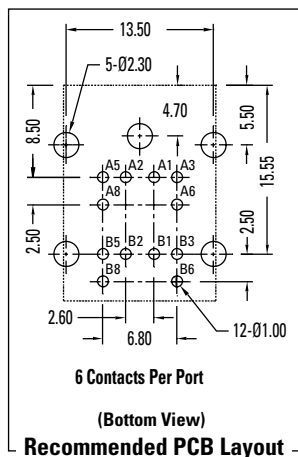
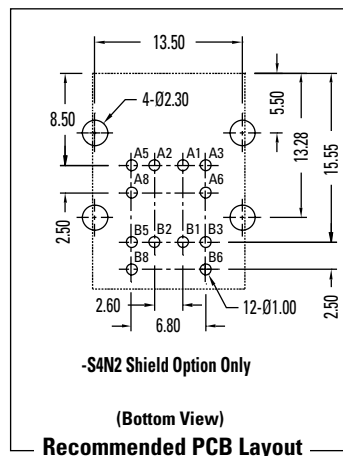
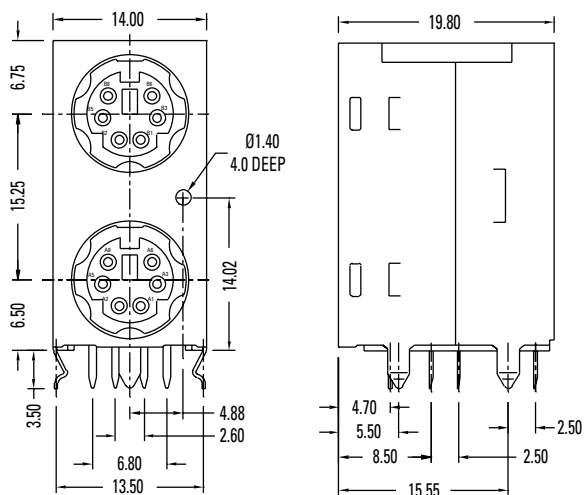
-S4N Shield Option (standard)

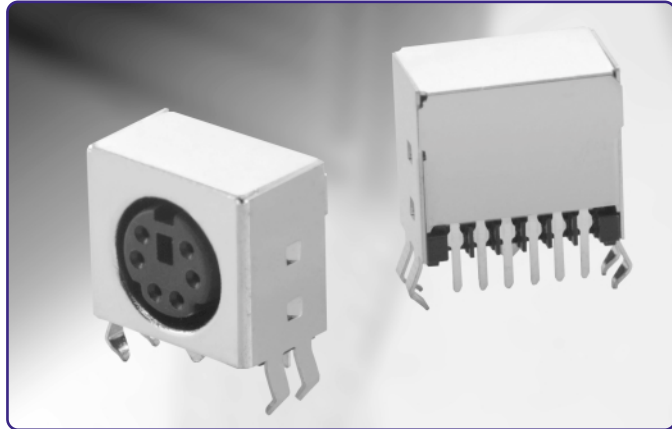


**-S4N2 Shield Option
(with shifted tabs and mounting hole)**



-S4N1 Shield Option (with mounting hole)





KMDT Series Slim Design Right Angle Mini-DIN

Features



- Audio, Video, Computer and Digital Equipment Applications
- Slim Design Saves On Board Space
- Mates with Standard and Snap and Lock Plugs
- Available in SMT and Reflow Compatible Through Hole Designs
- Full Shield for EMI/RFI Protection
- Contact Area with Gold Plating
- CSA/NRTL Certified File No. LR78160

Performance Specifications

Materials and Finish

Body

SMT, HT: High Temperature Thermoplastic, Black Color, UL94V-0 Rated

Standard: PBT Thermoplastic, Black Color, UL94V-0 Rated

Contacts

SMT, HT: Phosphor Bronze, Gold Plated

Standard: Phosphor Bronze, Tin/Lead Plated

Shield

Phosphor Bronze, Tin Plated

Mechanical Characteristics

Durability: 500 Cycles Min.

Insertion Force: 0.5kg - 4.5kg

Extraction Force: 0.4kg - 3.5kg

Operating Temperature: -25°C to +85°C

MINI-DINs/ CIRCULAR DINs

KMDT Series

Electrical Characteristics

Contact Current Rating

Before Durability Test

Plug to Shield - 50 Milliohms Max.

Plug to Terminals - 30 Milliohms Max.

After Durability Test

Plug to Shield - 100 Milliohms Max.

Plug to Terminals - 60 Milliohms Max.

Insulation Resistance

500 Megohms Min.

Dielectric Withstanding Voltage

500V AC for 1 Minute

Current Rating

1 Amp at 12V DC

Ordering Information

KMDT	-	SMT	-	6	-	S	-	BSC	
Series		Style		Number of Contacts		Contact Type		Plating Options	
Series KMDT - Right Angle PCB Mount Mini-DIN									
Style SMT - Surface Mount HT - Reflow Compatible Through Hole Blank - Standard Through Hole									
Number of Contacts 4 - 4 Contacts 6 - 6 Contacts									
Contact Type S - Receptacle									

Plating Option

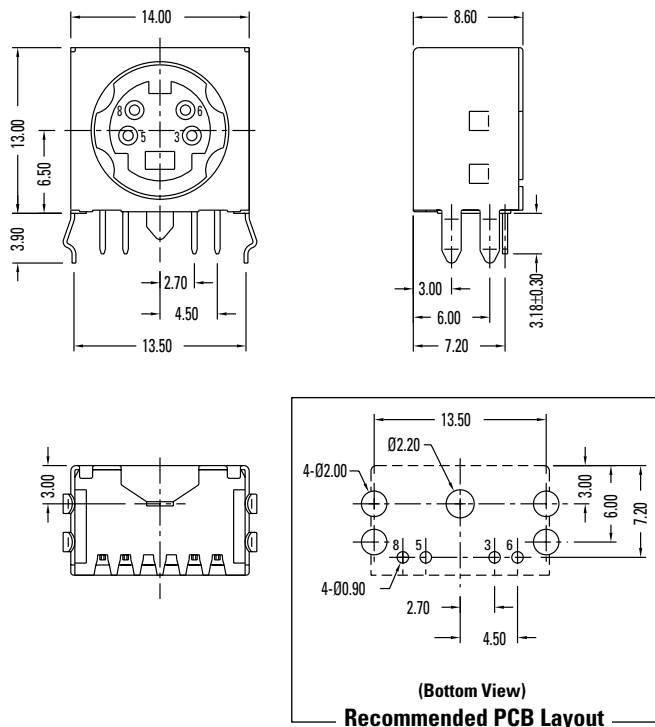
Standard	Gold flash over nickel on contacts. Tin/lead over nickel on soldertails.
30	30µ" gold over nickel on mating end of contacts. Tin/lead over nickel on soldertails.*

*Minimum Quantities May Apply

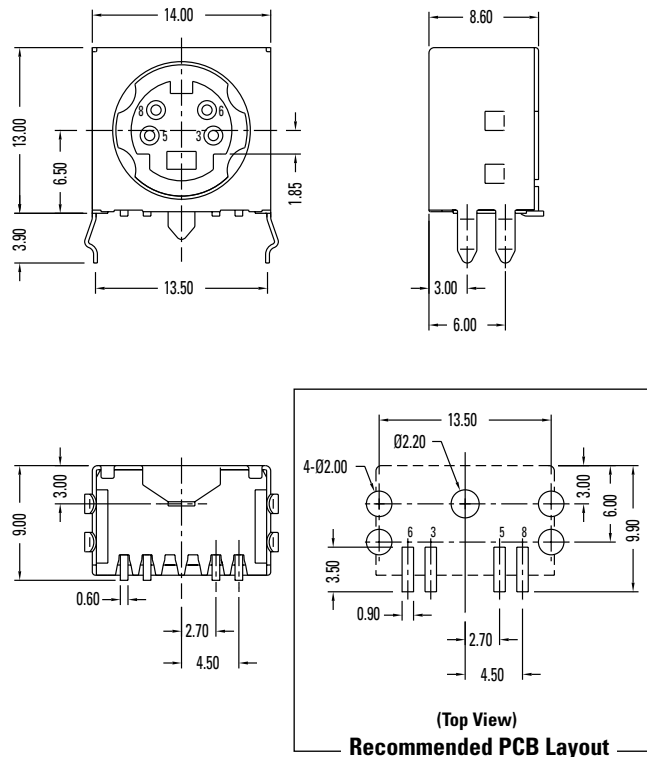
KMDT Series Dimensions

Dimensions in mm

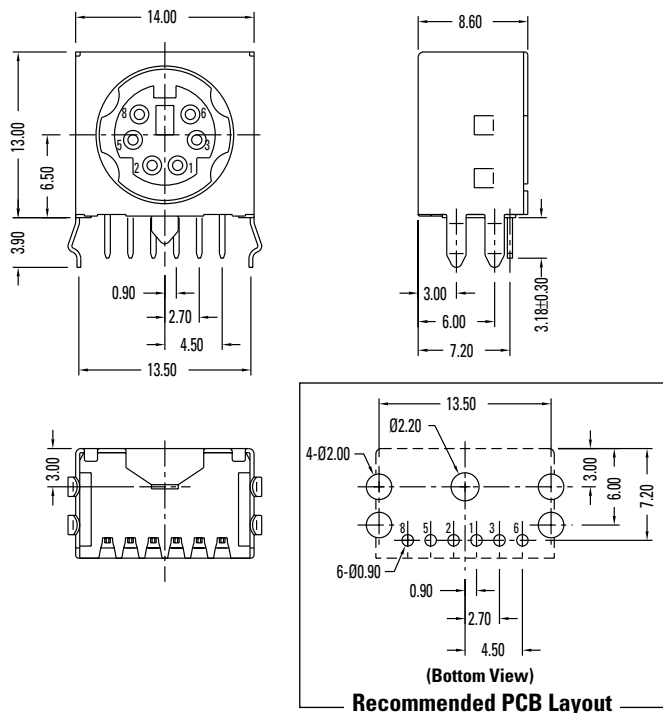
KMDT-HT-4S-BSC



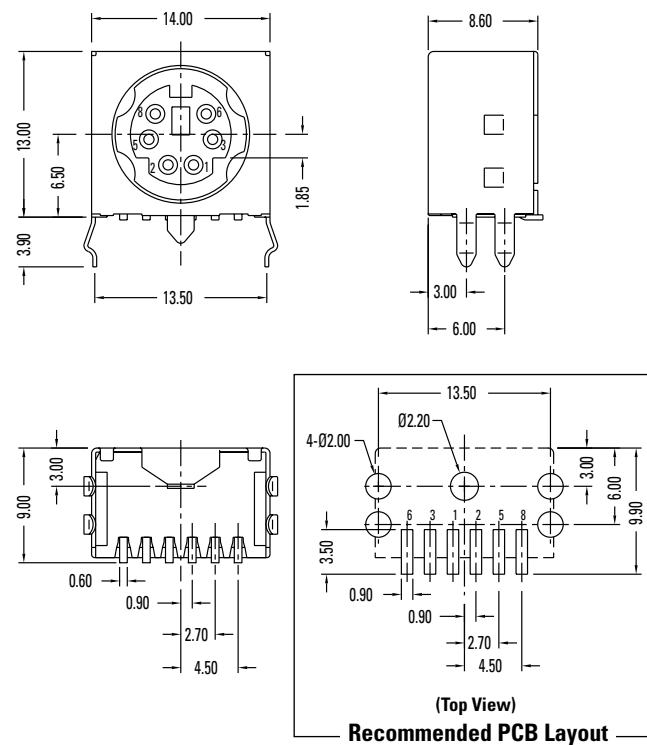
KMDT-SMT-4S-BSC

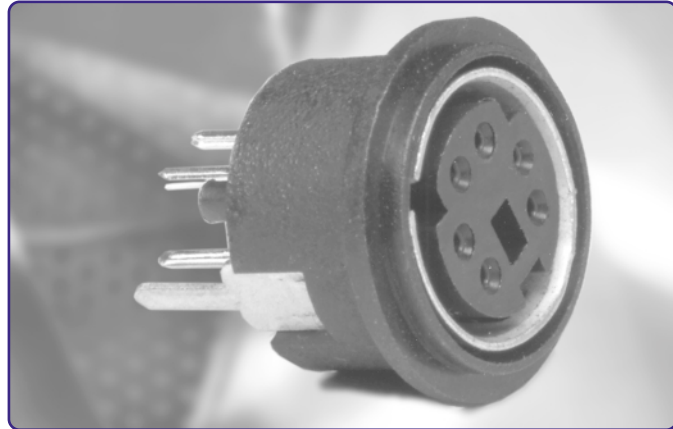


KMDT-HT-6S-BSC



KMDT-SMT-6S-BSC





KMDVL Series Snap and Lock Vertical Mini-DIN

Features



- Audio, Video, Computer and Digital Equipment Applications
- Backward Compatible
- Mates With Standard and Snap and Lock Plugs
- Inner Shield for Good Conductivity, Grounding and EMI/RFI Protection
- Visual and Mechanical Polarization for Plug Insertion
- Closed Bottom for Better Solderability
- Various Circuit Sizes
- CSA/NRTL Certified File No. LR78160

Performance Specifications

Body

PBT Thermoplastic, Black Color, UL94V-0 Rated

Contacts

Phosphor Bronze, Silver Plated

Mechanical Characteristics

Insertion Force

0.5 kg - 4.5 kg

Extraction Force

0.4 kg - 3.5 kg

Durability

500 Cycles Minimum with Test Plug

MINI-DINs / CIRCULAR DINs

KMDVL Series

Electrical Characteristics

Contact Current Rating

2 Amp Max. at 12V DC

Insulation Resistance

100 Megohms Min. at 250V

Contact Resistance

Before Durability Test

Plug to Shield: 50 Milliohms Max.

Plug to Terminals: 30 Milliohms Max

After Durability Test

Plug to Shield: 100 Milliohms Max

Plug to Terminals: 60 Milliohms Max.

Dielectric Withstanding Voltage

250V AC for 1 Minute

Operating Temperature

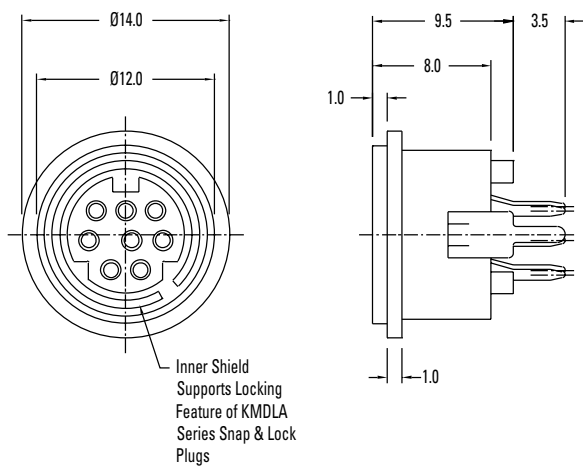
-25°C to +85°C

Ordering Information

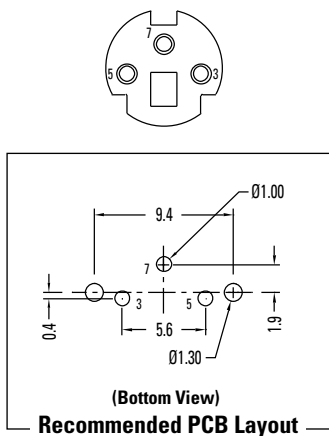
KMDVL	-	6	S	-	N
Series		Number of Contacts	Contact Type		
<p>Series KMDVL - Kycon Vertical PCB Mount Mini-DIN Connector</p> <p>Number of Contacts 3, 4, 5, 6, 8</p> <p>Contact Type S - Receptacle</p>					

KMDVL Series Dimensions

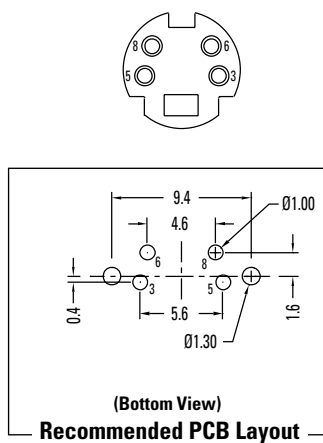
Dimensions in mm



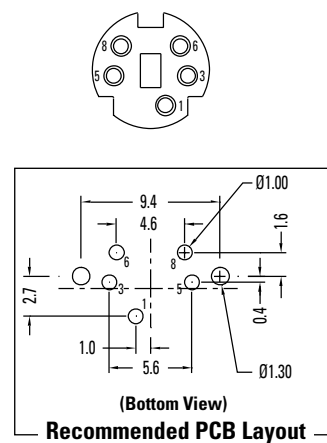
KMDVL-3S-N



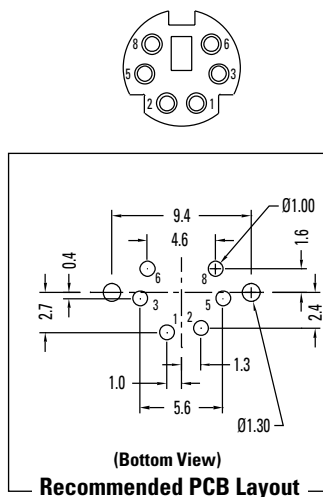
KMDVL-4S-N



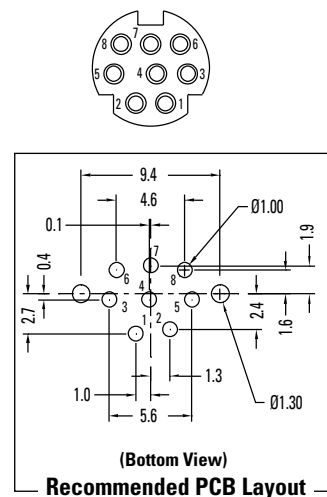
KMDVL-5S-N



KMDVL-6S-N



KMDVL-8S-N





KMDPL Series Panel Mount Mini-DIN

Features



- Panel Mount
- Backward Compatible
- Mates with Standard and Snap and Lock Plugs
- CSA/NRTL Certified File No. LR78160

Performance Specifications

Materials and Finish

Shell: Steel, Tin Plated

Contacts: Phosphor Bronze, Tin Plated

Insulation: PBT Thermoplastic, Black Color, UL94V-0 Rated

Wire: 100mm, Stripped and Tinned, 26 AWG

Electrical Characteristics

Current Rating: 12V DC 1 Amp Max.

Insulation Resistance: 50 Megohm Min. at 250V DC

Dielectric Strength: 250V AC for 1 Minute

Contact Resistance: 30 Milliohm Max.

Operating Temperature: -25°C to +85°C

Ordering Information

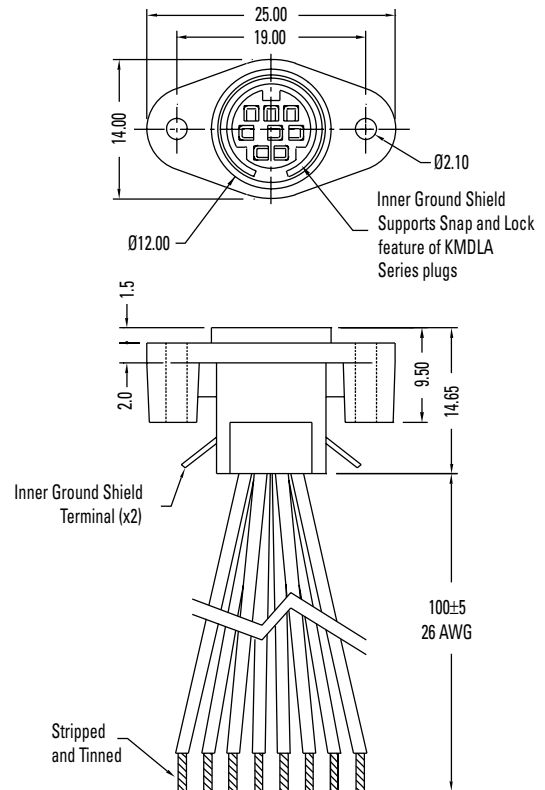
KMDPL	-	4	S	-	100
Series		Number of Contacts	Contact Type		Wire Length
Series		KMDPL - Kycon Panel Mount Mini DIN			
Number of Contacts		3, 4, 5, 6, 8			
Gender		S - Receptacle			
Wire Length		100 - Standard Length 100mm Other Lengths Available (500pc min)			

MINI-DINs / CIRCULAR DINs

KMDPL Series

KMDPL Series Dimensions

Dimensions in mm



Contact Configuration					
# of Contacts	3	4	5	6	8
Wire Color	1 Black 2 Green 3 Orange	1 Black 2 Green 3 Yellow 4 Red	1 Brown 2 Black 3 Green 4 Yellow 5 Red	1 Brown 2 White 3 Black 4 Green 5 Yellow 6 Red	1 Brown 2 White 3 Black 4 Blue 5 Green 6 Yellow 7 Orange 8 Red



KMDLA Series Snap and Lock Cable Mount Plug



Features

- Audio, Video, Lap Top Computer and Other Portable Digital Equipment Applications
- Snap and Lock Feature Helps Prevent Accidental Disconnects
- Supplied in Kits Ready for Assembly
- CSA/NRTL Certified File No. LR78160
- Gold Plating Available Upon Request

Performance Specifications

Materials and Finish

Insert: PBT Thermoplastic, Black Color, UL94V-0 Rated

Plastic Shell: PVC, UL94V-0 Rated

Contact: Brass, Silver Plated

Metal Shield: Nickel Plated Steel

Mechanical Characteristics

Suggested Wire Gauge: 26 - 30 Awg.

Insertion Force: 0.5kg Max.

Extraction Force: 1.0kg - 5.0kg

Durability: 1500 Cycles Minimum with Test Plug

Electrical Characteristics

Contact Current Rating: 12V DC 2 Amp Max.

Insulation Resistance: 50 Megohms Min. at 250V DC

Dielectric Withstanding Voltage: 500V AC for 1 Minute

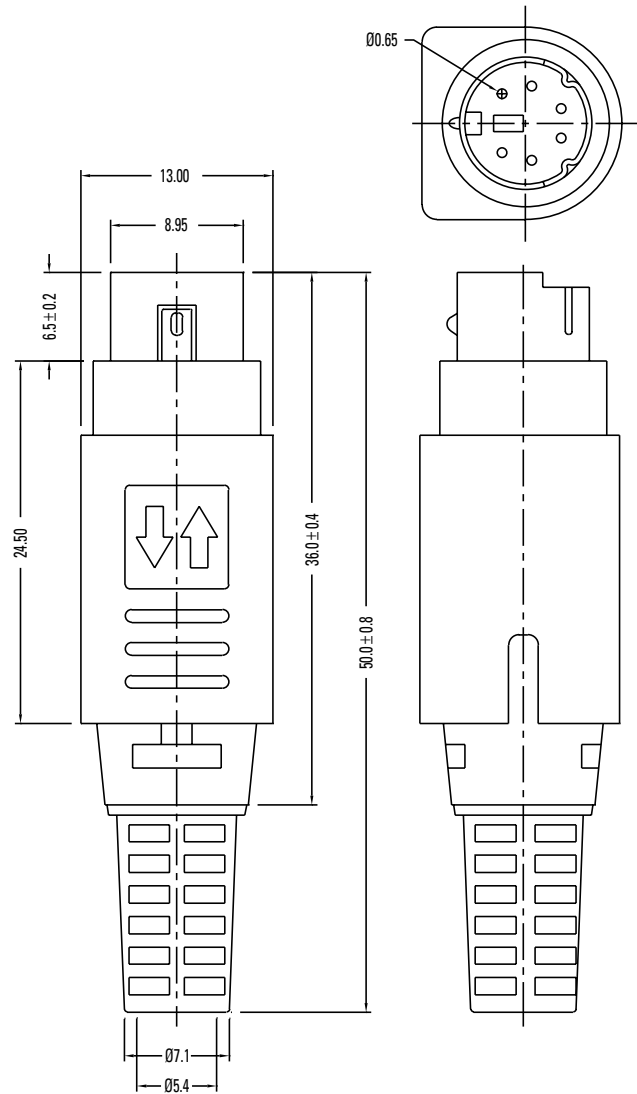
Operating Temperature: -25°C to +85°C

Ordering Information

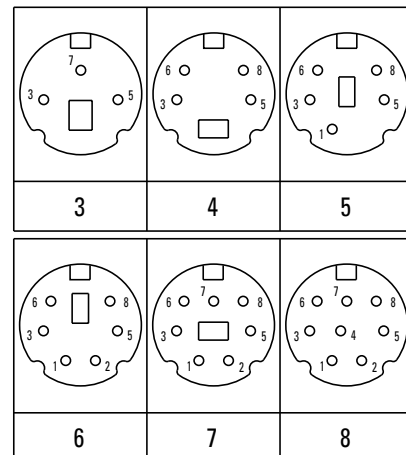
KMDLA	-	4	P
Series		Number of Contacts	Plug
Series			
KMDLA - Kycon Snap and Lock Plug			
Number of Contacts			
3, 4, 5, 6, 7, 8			

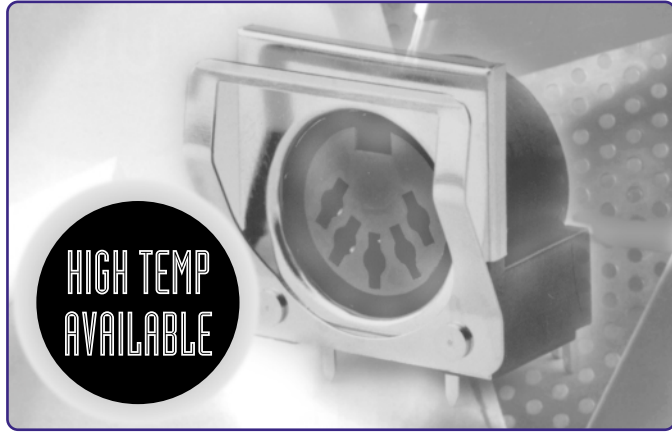
KMDLA Series Dimensions

Dimensions in mm



Plug Configuration (KMDLA Series)





KCD Series Right Angle PCB Mount

Features



- Audio, Video, Computer and Digital Equipment Applications
- Designed to Meet European DIN Standards
- Nickel Shells for Good Conductivity, Grounding and EMI/RFI Shielding
- Available in Reflow Compatible Design
- Visual and Mechanical Polarization for Plug Insertion
- Various Circuit Sizes
- CSA/NRTL Certified File No. LR78160

Performance Specifications

Material Finish



Body

KCD - PBT Thermoplastic, Black Color, UL94V-0 Rated
KCDHT - High Temperature Thermoplastic, Black Color, UL94V-0 Rated

Contact

KCD - Brass, Tin Plated
KCDHT - Brass, Silver Plated

Shield

Copper Alloy, Nickel Plated

Mechanical Characteristics

Insertion Force

0.5kg - 7.0kg

Extraction Force

0.4kg - 7.0kg

Durability

500 Cycles Minimum With Test Plug

MINI-DINs / CIRCULAR DINs

KCD Series

Electrical Characteristics

Contact Current Rating

Rated Voltage and Current: 20V DC, 2.0 A

Insulation Resistance

100 Megohms Min. at 250V DC Before and After Test

Contact Resistance

Pin to Contact Resistance: 60 Milliohms Max.
Plug Shield to Socket Resistance: 100 Milliohms Max.

Dielectric Withstanding Voltage

500V AC for 1 Minute

Operating Temperature

-25°C to +85°C

Ordering Information

KCD	-	5		S	-	S
Series		Number of Contacts		Contact Type		Options

Series

KCD - Kycon Circular DIN Connectors,
Right Angle PCB Mount, Receptacle
KCDHT - Reflow Compatible Version

Number of Contacts

3, 5, 6, 7, 8

Contact Type

S - Receptacle

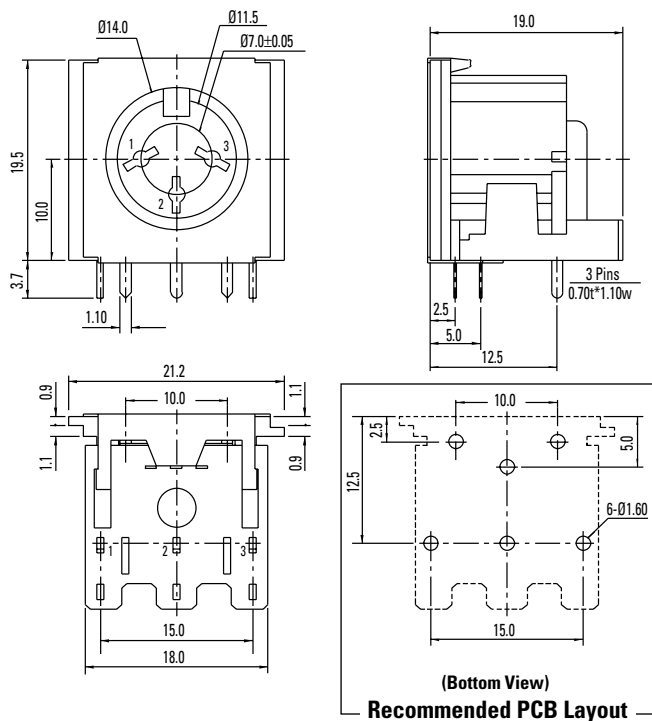
Options

N - Non-Shielded, 10mm Pitch
N2 - Non-Shielded, 5mm Pitch
S - Shielded, 10mm Pitch
S2 - Shielded, 5mm Pitch
S-PS - Shielded, 10mm Pitch, with Grounding Spring Shield
S2-PS - Shielded, 5mm Pitch, with Grounding Spring Shield

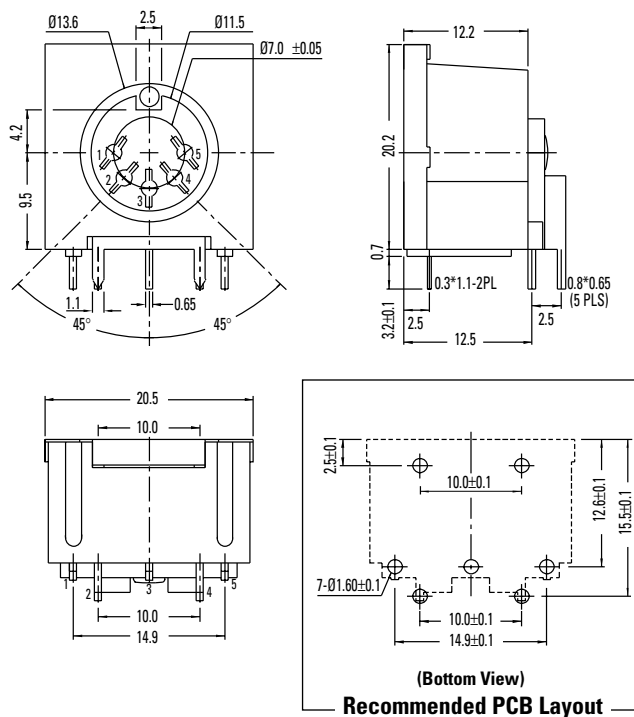
KCD Series Dimensions*

Dimensions in mm

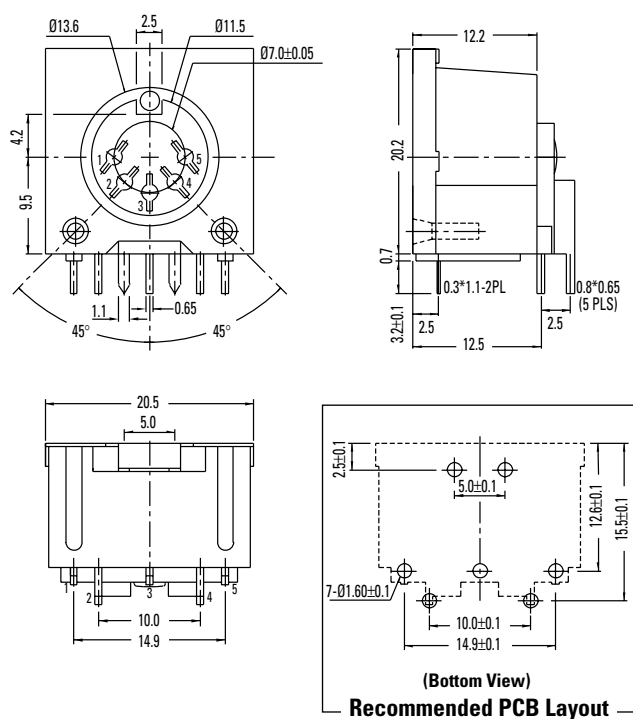
KCD-3S-S



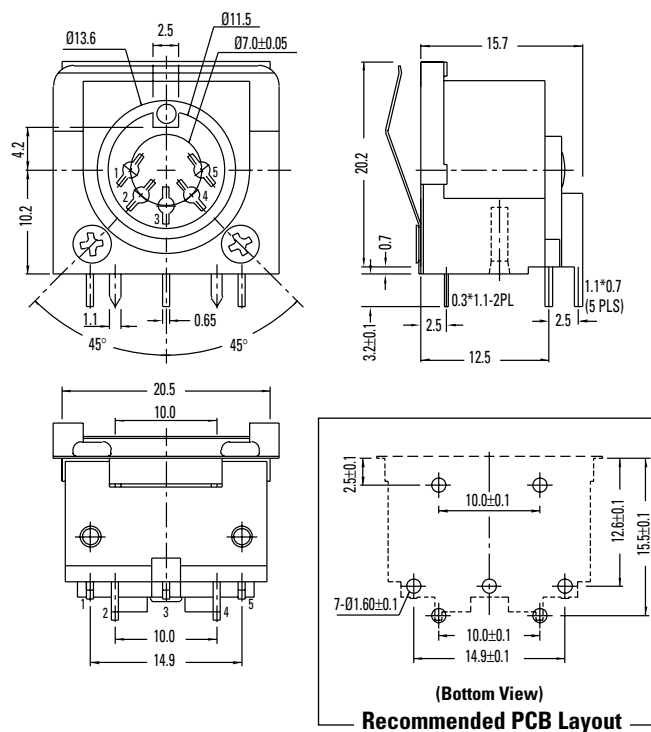
KCD-5S-S



KCD-5S-S2



KCD-5S-S-PS

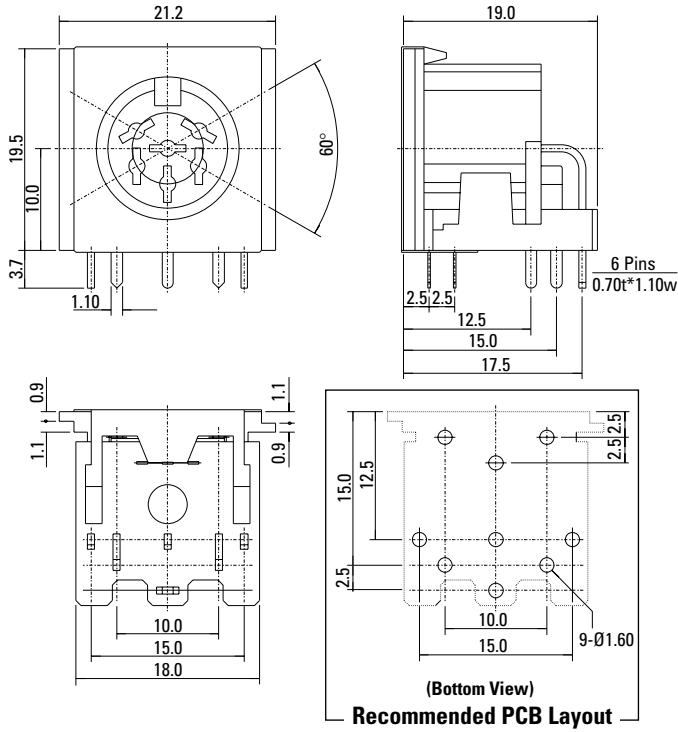


* Contact factory for non-shielded specifications. 888-KYCON-22

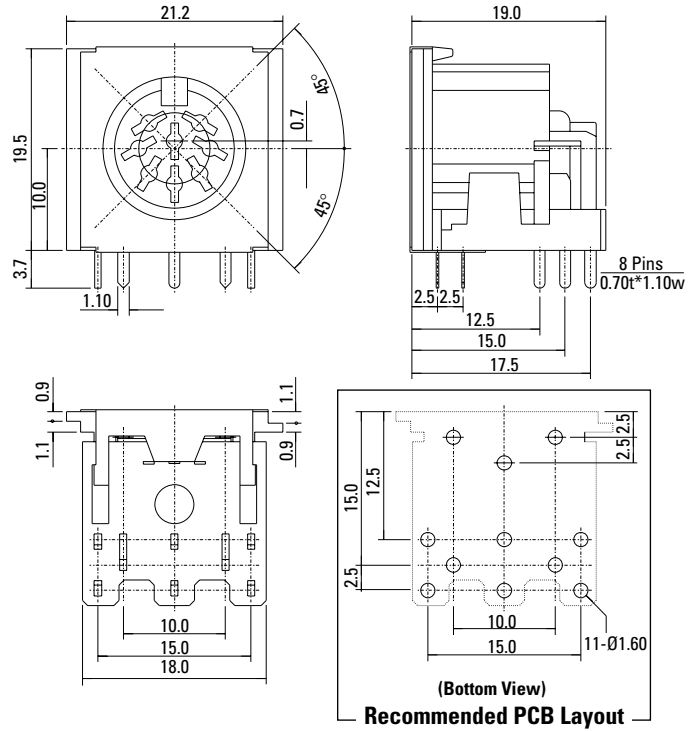
KCD Series Dimensions*

Dimensions in mm

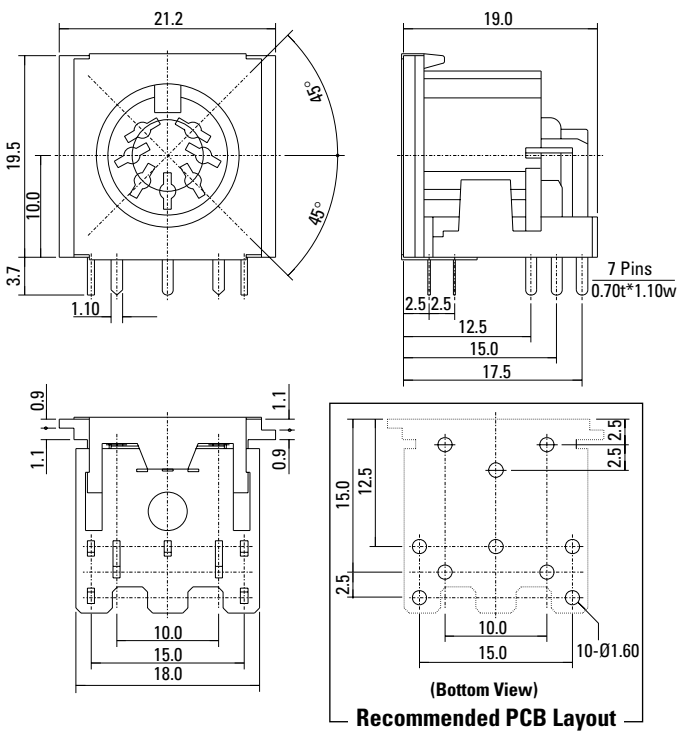
KCD-6S-S



KCD-8S-S



KCD-7S-S



* Contact factory for non-shielded specifications. 888-KYCON-22

KYCON continues its leadership in Audio Jacks by offering a complete line of designs and options.

Features:

- Audio Applications for Computers and Multimedia
- Available in Through Hole, Surface Mount, and Reflow Compatible
- Available Stacked
- Tape & Reel Packaging Available for Automated Assembly
- Stereo & Mono Available
- Various Switching Options Available
- Threaded Barrels Available for Panel Mounting
- PC99 Colors Available:
Light Blue
Lime
Pink
Orange



AUDIO JACKS

Directory

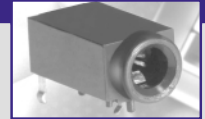
2.5mm Audio Jacks

ST-2000 - Through Hole	100
ST-2500 - SMT	100
ST-2550 - SMT	101



3.5mm Audio Jacks

ST-3000 - All Plastic	102
ST-3500 - SMT	103
ST-3081 - Low Profile	104
ST-3100 - Metal Barrel	105
ST-3120 - All Plastic	107
ST-3200 - Metal Barrel	108
ST-314/ST-315 - Slim	110
ST-3900 - Metal Barrel	112
ST-4235 - Stacked	113
STP-3501 - Panel Mount	115



RCA Phono Jacks

KLP - Single	116
KLP42 - Stacked	117



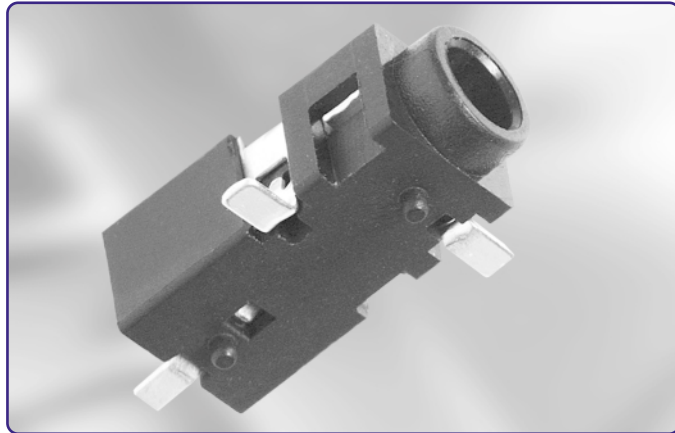
Audio Jack Options:

Series	ST - 2000	ST - 2500	ST - 2550	ST - 3500	ST - 3000	ST - 3081	ST - 3100	ST - 3120	ST - 3200	ST - 314	ST - 315	ST - 3900	ST - 4235	STP - 3501
2.5mm	•	•	•											
3.5mm				•	•	•	•	•	•	•	•	•	•	•
Through Hole	•				•	•	•	•	•	•	•	•	•	
SMT		•	•	•										
Stacked													•	
Panel Mount						•				•	•	•		•
All Plastic	•	•	•	•	•			•					•	
Threaded Option						•	•		•	•	•	•		•
Mono			•					•		•	•			
3 Position	•	•	•	•	•	•	•	•	•	•	•	•	•	•
4 position (with switches)		•	•	•										
5 Position (with switches)			•	•		•	•	•	•	•	•		•	
9 Position (with switches)							•						•	
11 Position (with switches)							•						•	

Audio Plug Options:

Kycon offers standard 2.5mm and 3.5mm molded cables in 8 foot lengths. Contact factory for details.

KYCON Tech Support: **1-888-KYCON-22**
or E-mail: sales@kycon.com



ST-2000/ST-2500 Series 2.5mm Audio Jack

Features



- Audio Applications for Computers and Multimedia
- Through Hole and Surface Mount Designs
- CSA/NRTL Certified File No. LR78160

Performance Specifications

Materials and Finish

Housing

ST-2000: PBT Thermoplastic, Black Color UL94V-0 Rated
ST-2500: High Temperature Thermoplastic, Black Color
UL94V-0 Rated



Terminals

Copper Alloy, Silver over Nickel Plating

Mechanical Characteristics

Insertion Force: 0.4kg - 3.0kg

Extraction Force: 0.3kg - 3.0kg

Durability: 5000 Mating Cycles

Electrical Characteristics

Contact Resistance

Before Durability Test

50 Milliohms Max.

After Durability Test

100 Milliohms Max.

Insulation Resistance: 100 Megohms Min. at 250V DC

Dielectric Strength: 250V AC for 1 Minute

Operating Temperature: -25°C to +80°C

AUDIO JACKS

ST-2000 / ST-2500 Series

Ordering Information

ST-2500	-	3	-	N	-	
Series		Number of Pins		Packaging		

Series

ST-2000 - 2.5mm Through Hole Audio Jack

ST-2500 - 2.5mm Surface Mount Audio Jack

Number of Pins

3 - 3 Pins

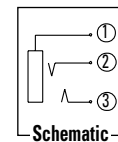
Packaging

Blank - Bulk

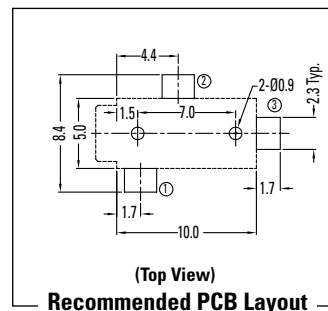
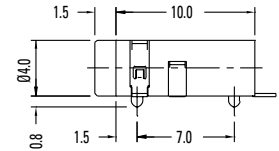
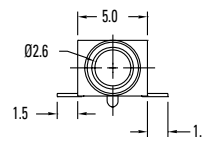
TR - Tape and Reel (ST-2500 only)

Dimensions

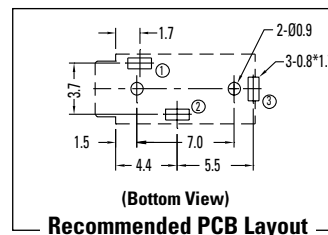
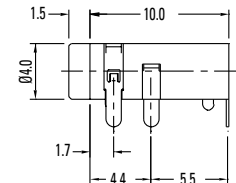
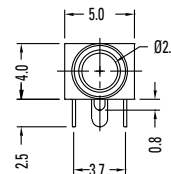
Dimensions in mm

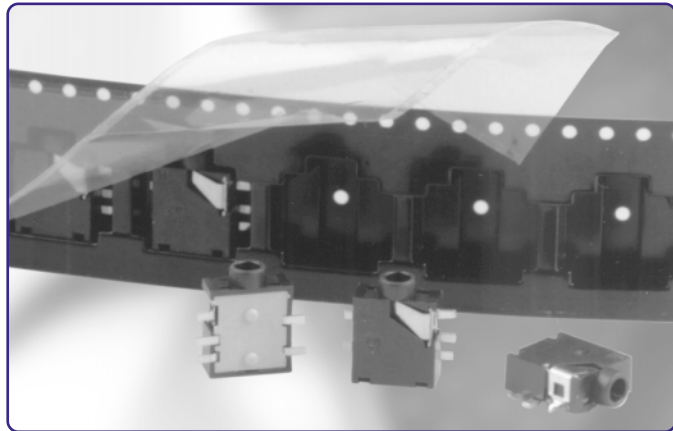


ST-2500-3N



ST-2000-3N





ST-2550 Series Surface Mount 2.5mm Audio Jack

Features



- Audio Applications for Computers and Multimedia
- Surface Mount Design
- CSA/NRTL Certified File No. LR78160

Performance Specifications

Materials and Finish

Housing

High Temperature Thermoplastic, Black Color UL94V-0 Rated



Terminals

Copper Alloy, Gold Flash over Nickel Plating

Mechanical Characteristics

Insertion Force: 0.4kg - 2.0kg

Extraction Force: 0.3kg - 2.0kg

Durability: 5000 Mating Cycles

Electrical Characteristics

Contact Resistance

Before Durability Test

30 Milliohms Max.

After Durability Test

60 Milliohms Max.

Insulation Resistance: 100 Megohms Min. at 250V DC

Dielectric Strength: 500V AC for 1 Minute

Operating Temperature: -25°C to +80°C

AUDIO JACKS

ST-2550 Series

Ordering Information

ST-2550	-	3	N	-	TR
Series		Number of Pins		Mono/Stereo	Packaging

Series

ST-2550 - 2.5mm Surface Mount Audio Jack

Number of Pins

3 - 3 Pins

4 - 4 Pins

5 - 5 Pins

Mono/Stereo (3 Pin Only)

Blank - Stereo

M - Mono

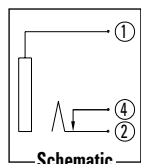
Packaging

TR - Tape and Reel

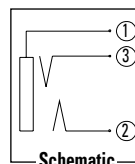
Dimensions

Dimensions in mm

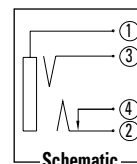
ST-2550-3NM



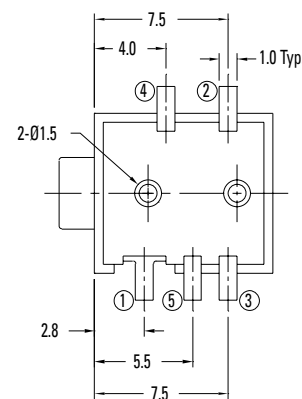
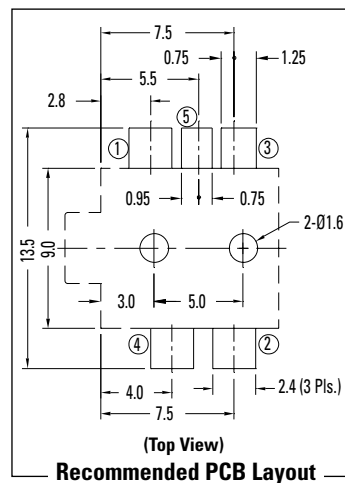
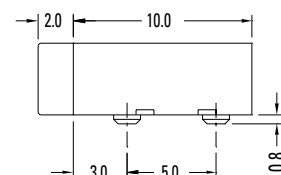
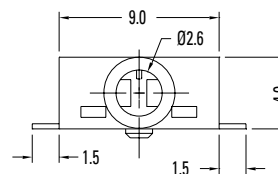
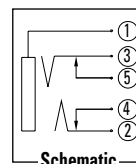
ST-2550-3N

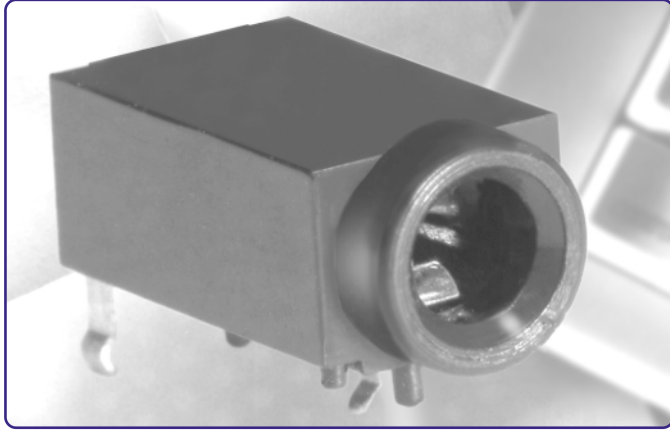


ST-2550-4N



ST-2550-5N





*ST-3000 Series
3.5mm Audio Jack
All Plastic PCB Mount*

Features



- Audio Applications for Computers and Multimedia
- All Plastic
- CSA/NRTL Certified File No. LR78160

Performance Specifications

Materials and Finish

Plastic Housing

Black Thermoplastic, UL94V-0 Rated



Terminals

Copper Alloy, Tin over Nickel Plating

Mechanical Characteristics

Insertion Force

0.4kg - 3.0kg

Extraction Force

0.3kg - 3.0kg

Durability

5000 Mating Cycles

Electrical Characteristics

Contact Resistance

Before Durability Test

30 Milliohms Max.

After Durability Test

60 Milliohms Max.

Insulation Resistance

100 Megohms Min. at 500V DC

Dielectric Strength

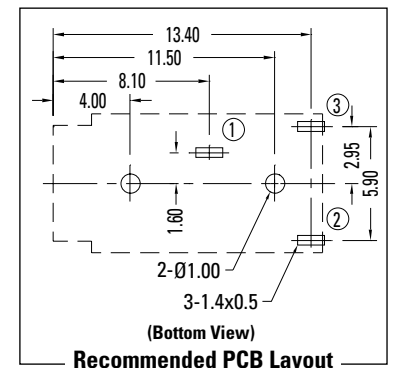
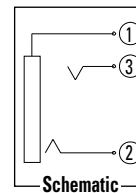
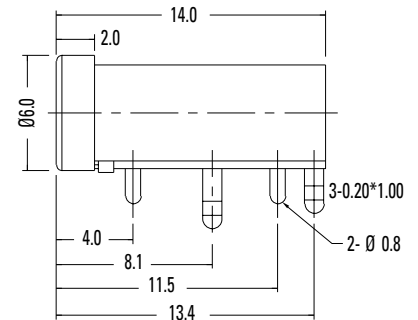
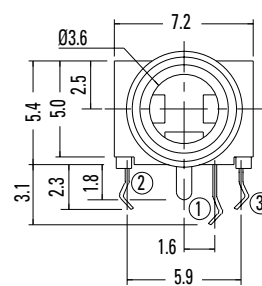
500V AC for 1 Minute

Operating Temperature

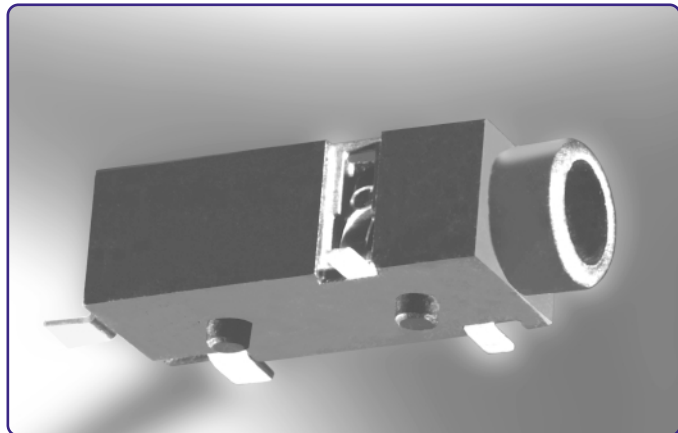
-25°C to +80°C

ST-3000 Dimensions

Dimensions in mm



Recommended PCB Layout



ST-3500 Series Surface Mount 3.5mm Audio Jack

Features



- Audio Applications for Computers and Multimedia
- Surface Mount Design
- All Plastic
- CSA/NRTL Certified File No. LR78160

Performance Specifications

Materials and Finish

Housing: High Temperature Thermoplastic, Black Color
UL94V-0 Rated

Terminals: Copper Alloy, Silver over Nickel Plating

Mechanical Characteristics

Insertion Force: 3.0kg Max.

Extraction Force: 0.2kg Min.

Durability: 5000 Mating Cycles

Electrical Characteristics

Contact Resistance

Before Durability Test

50 Milliohms Max.

After Durability Test

100 Milliohms Max.

Rated Voltage: 16 V DC

Rated Current: 0.3 A

Insulation Resistance: 100 Megohms Min. at 500V DC

Dielectric Strength: 500V AC for 1 Minute

Operating Temperature: -25°C to +80°C

AUDIO JACKS

ST-3500 Series

Ordering Information

ST-3500	-	3	N	-	TR
Series		Number of Pins			Packaging

Series

ST-3500 - 3.5mm Surface Mount Audio Jack

Number of Pins

3 - 3 Pins

4 - 4 Pins

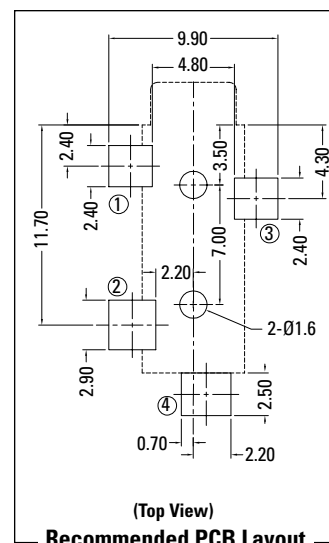
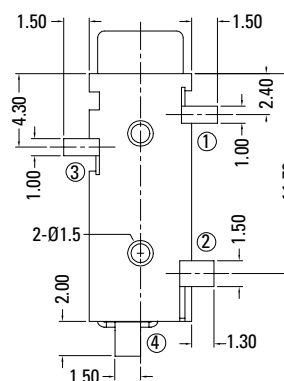
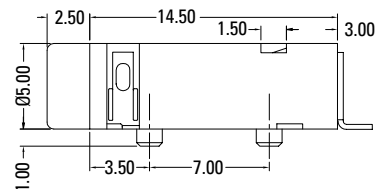
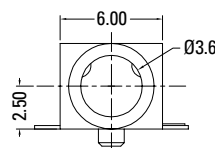
Packaging

Blank - Bulk

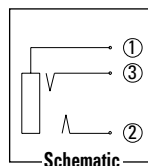
TR - Tape and Reel

Dimensions

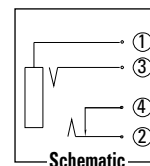
Dimensions in mm

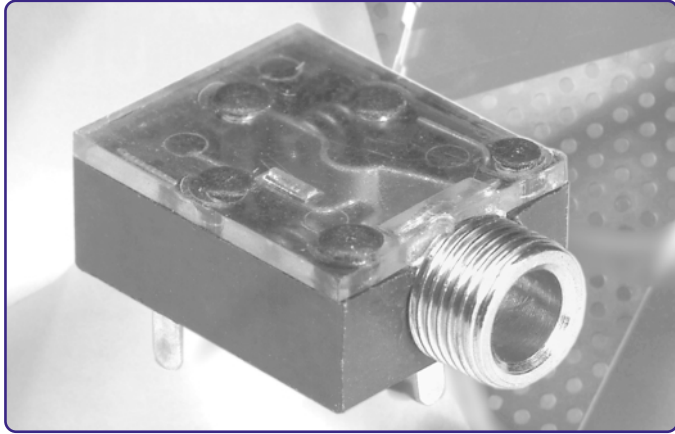


ST-3500-3N



ST-3500-4N





ST-3081 Series PCB Mount 3.5mm Low Profile Audio Jack

Features



- Audio Applications for Computers and Multimedia
- Low Profile
- CSA/NRTL Certified File No. LR78160

Performance Specifications

Materials and Finish

Plastic Housing: PBT Thermoplastic 15% Glass Filled, Black, UL94V-0 Rated

Terminals: Copper Alloy, Tin over Nickel Plating

Mechanical Characteristics

Insertion Force: 0.4kg - 3.0kg

Extraction Force: 0.3kg - 3.0kg

Durability: 5000 Mating Cycles

Electrical Characteristics

Contact Resistance

Before Durability Test: 30 Milliohms Max.

After Durability Test: 60 Milliohms Max.

Insulation Resistance: 100 Megohms Min. at 500V DC

Dielectric Strength: 500V AC for 1 Minute

Operating Temperature: -25°C to +80°C

Ordering Information

ST-3081	-	5	N
Series		Number of Pins	Threading Options
Series			
ST-3081 - Low Profile Audio Jack			
Number of Pins			
3, 5			
Threading Options			
N - Non Threaded C - Threaded			

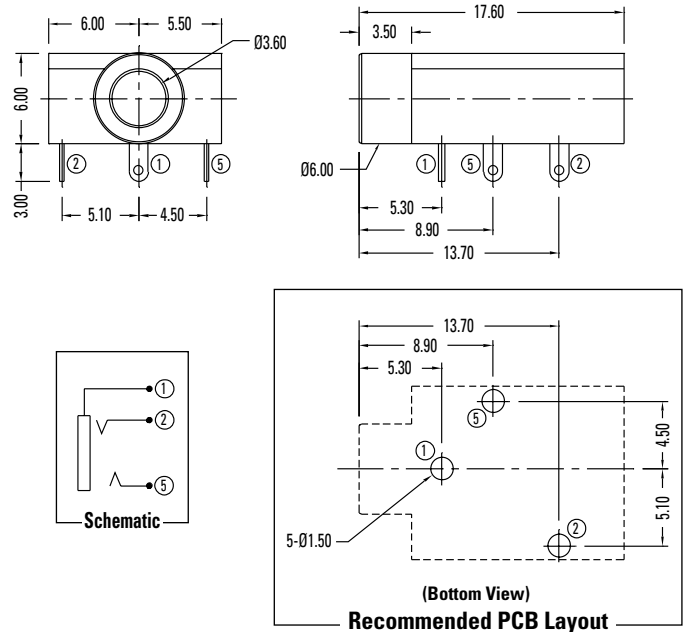
AUDIO JACKS

ST-3081 Series

ST-3081 Series Dimensions

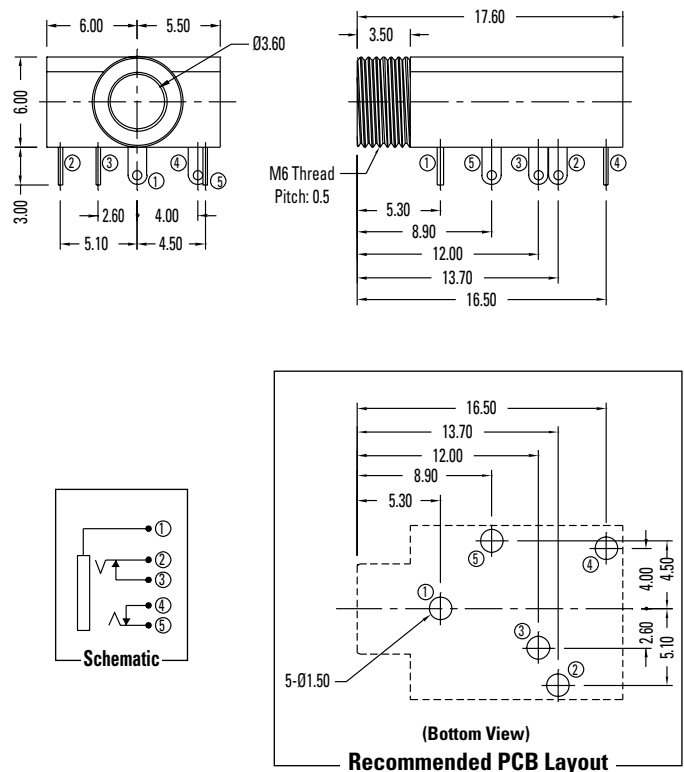
Dimensions in mm

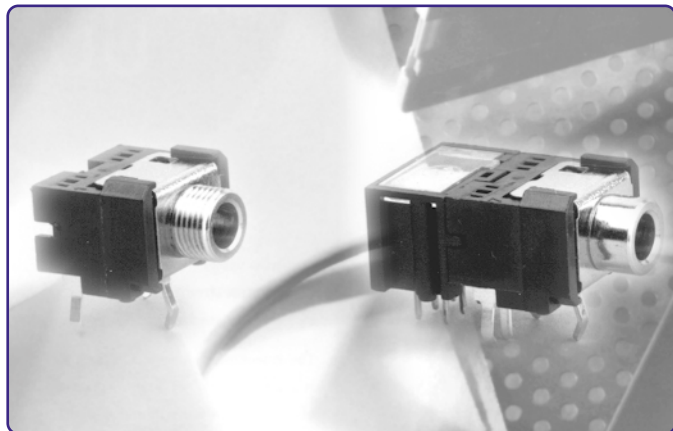
ST-3081-3N



ST-3081-5C

One Single Throw, Double Pole Switch





ST-3100 Series PCB Mount 3.5mm Audio Jack

Features



- Audio Applications for Computers and Multimedia
- Can Be Used To Activate Speakers, an Equalizer or to Configure the Audio Signal
- Available with Up to One Double-Pole Single-Throw Switch and One Double-Pole Double-Throw Switch in One Audio Jack
- CSA/NRTL Certified File No. LR78160

Performance Specifications

Materials and Finish

Audio Jack

Plastic Housing: PBT Thermoplastic, Black Color UL94V-0 Rated
Bushing: Copper Alloy, Nickel Plated
Sleeve: SPCC, Nickel Plated
Sleeve Spring: Phosphor Bronze
TIP and Ring: P.B.S., Tin Plated
N.C. Terminals: Copper Alloy, Tin Plated



Switch

Housing: PBT Thermoplastic, Black Color, UL94V-0 Rated
Clip Housing: Polyacetal
Cover: PC/PBT
Terminals: Brass Silver Plated
Clip: P.B.S.
Switch Spring: SWP Steel

Mechanical Characteristics

Insertion Force

0.4kg - 3.0 kg

Extraction Force

0.3kg - 3.0kg

Durability

5000 Mating Cycles

AUDIO JACKS

ST-3100 Series

Electrical Characteristics

Contact Rating

DC 16V at 0.3 Amps

Contact Resistance

Before Durability Test

To Terminals: 30 Milliohms Max.

To Sleeve: 50 Milliohms Max.

After Durability Test

To Terminals: 60 Milliohms Max.

To Sleeve: 100 Milliohms Max.

Insulation Resistance

100 Megohms Min. at 500V DC

Dielectric Strength

500V AC for 1 Minute

Operating Temperature

-25°C to +80°C

Ordering Information

ST-3100	-	3	N	B
Series		Number of Pins	Threading Option	Back Plate Options

Series

ST-3100 - 3.5mm Audio Jacks

Number of Pins

3 - 3 Pins - Audio Jack, No Switch

5 - 5 Pins - One Double-Pole Single-Throw Switch

9 - 9 Pins - One Double-Pole Double-Throw Switch

11 - 11 Pins - One Double-Pole Single-Throw Switch/One Double-Pole Double-Throw Switch

Threading Option

C - Threaded

N - Non Threaded

Back Plate Option (3 & 5 pin only)

Blank - No Back Plate

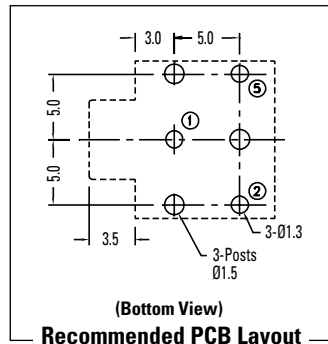
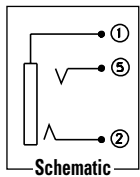
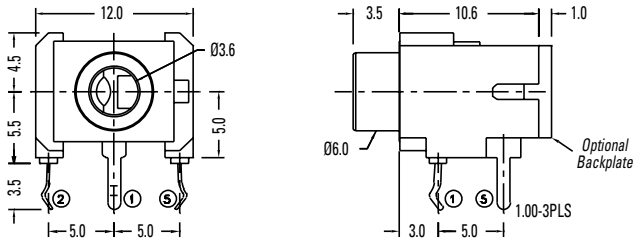
B - With Back Plate

ST-3100 Series Dimensions

Dimensions in mm

ST-3100-3N

(3 Pins, Non-Threaded)

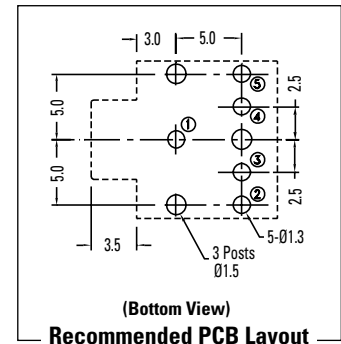
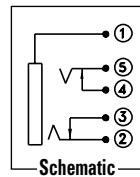
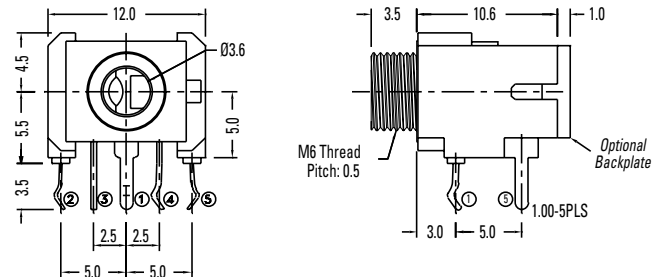


ST-3100 Series Dimensions

Dimensions in mm

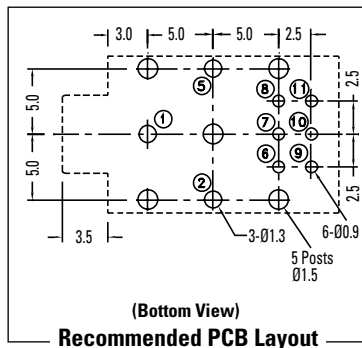
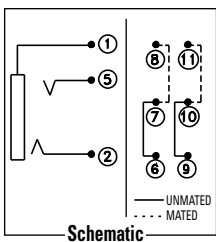
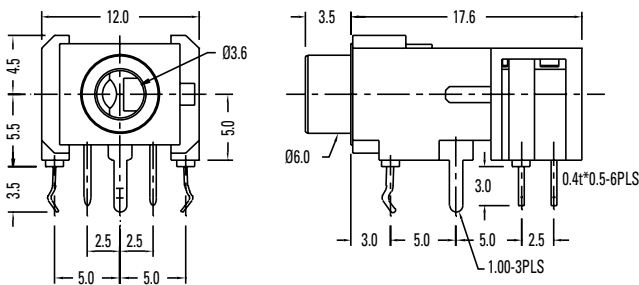
ST-3100-5C

(5 Pins, Threaded)



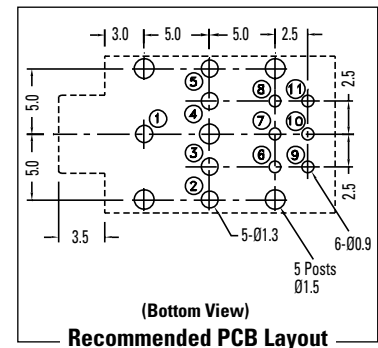
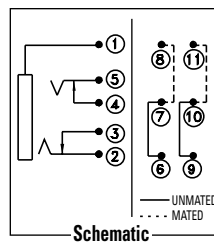
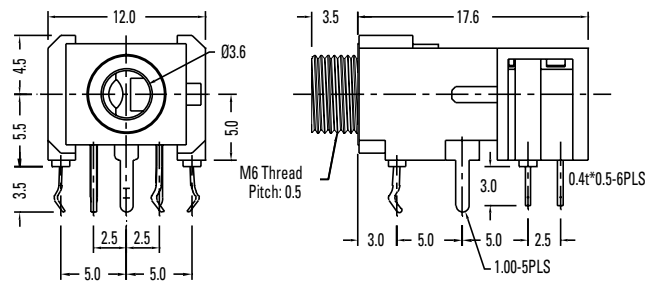
ST-3100-9N

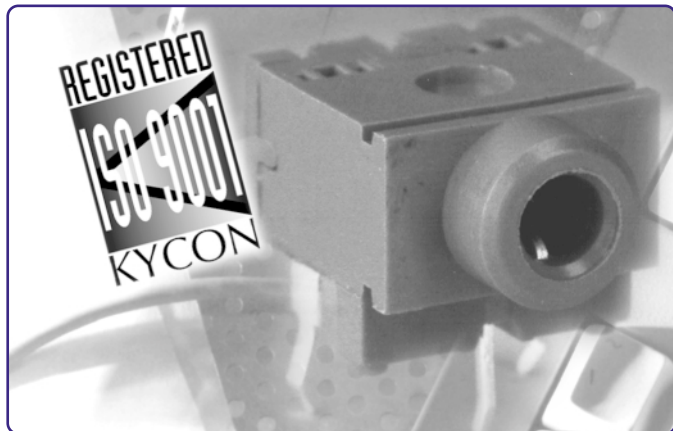
(9 Pins, Non-Threaded)



ST-3100-11C

(11 Pins, Threaded)





ST-3120 Series 3.5mm Audio Jack All Plastic PCB Mount

Features



- Audio Applications for Computers and Multimedia
- Can Be Used To Activate Speakers, an Equalizer or to Configure the Audio Signal
- Available with One Double-Pole Single-Throw Switch
- CSA/NRTL Certified File No. LR78160

Performance Specifications

Materials and Finish

Plastic Housing

PBT Thermoplastic, UL94V-0 Rated, Black Color
(Other Colors Available)



Terminals

Copper Alloy, Tin over Nickel Plating

Mechanical Characteristics

Insertion Force

0.4kg - 3.0kg

Extraction Force

0.3kg - 3.0kg

Durability

5000 Mating Cycles

AUDIO JACKS

ST-3120 Series

Electrical Characteristics

Contact Resistance

Before Durability Test

50 Milliohms Max.

After Durability Test

100 Milliohms Max.

Insulation Resistance

100 Megohms Min. at 500V DC

Dielectric Strength

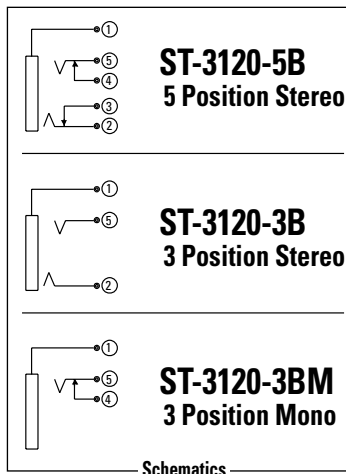
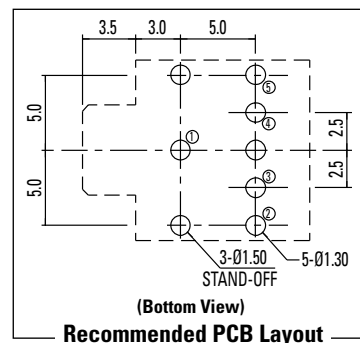
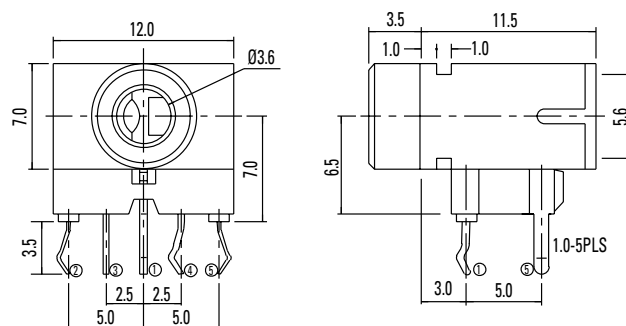
500V AC for 1 Minute

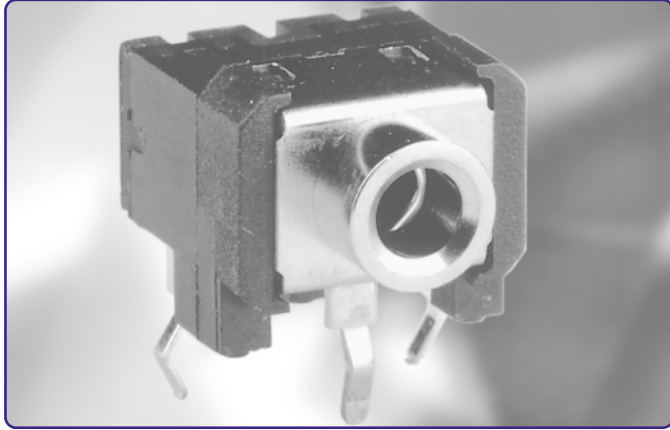
Operating Temperature

-25°C to +80°C

ST-3120 Series Dimensions

Dimensions in mm





ST-3200 Series PCB Mount 3.5mm Audio Jack

Features



- Audio Applications for Computers and Multimedia
- Available with Threaded or Non-Threaded Metal Bushing
- CSA/NRTL Certified File No. LR78160

Performance Specifications

Materials and Finish

Plastic Housing

PBT Thermoplastic, Black Color, UL94V-0 Rated



Terminals

Copper Alloy, Tin over Copper Plating

Mechanical Characteristics

Insertion Force

0.4kg - 3.0kg

Extraction Force

0.3kg - 3.0kg

Durability

5000 Mating Cycles

AUDIO JACKS

ST-3200 Series

Electrical Characteristics

Contact Resistance

Before Durability Test

30 Milliohms Max.

After Durability Test

60 Milliohms Max.

Insulation Resistance

100 Megohms Min. at 500V DC

Dielectric Strength

500V AC for 1 Minute

Operating Temperature

-25°C to +80°C

Ordering Information

ST-3200	-	5	N	B
Series		Number of Pins	Threading Option	Back Plate Options

Series

ST-3200 - Kycon 3.5mm Audio Jack

Number of Pins

3 - 3 Pins

5 - 5 Pins

Threading Option

N - Non-Threaded

C - Threaded

Back Plate Option

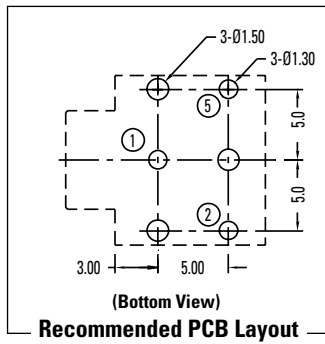
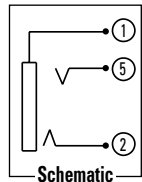
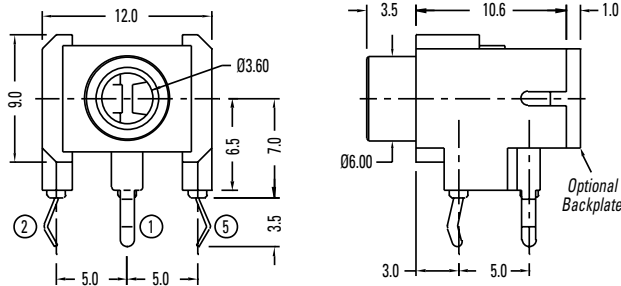
Blank - No Back Plate

B - With Back Plate

ST-3200 Series Dimensions

Dimensions in mm

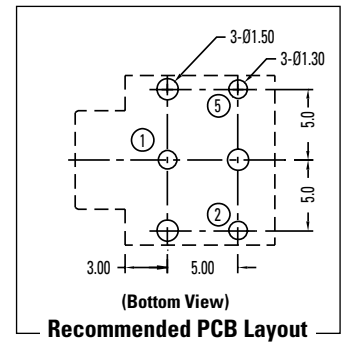
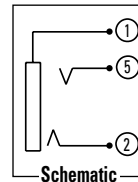
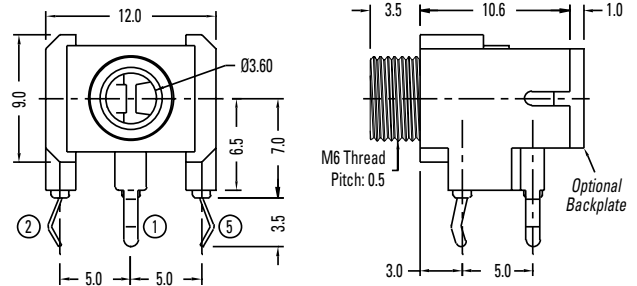
ST-3200-3NB



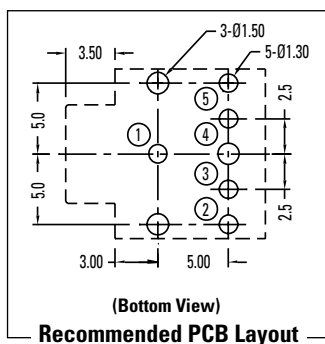
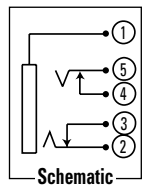
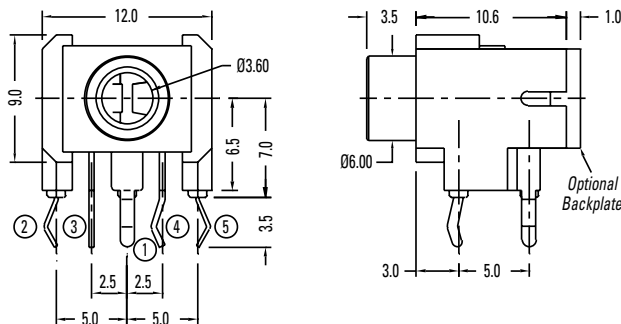
ST-3200 Series Dimensions

Dimensions in mm

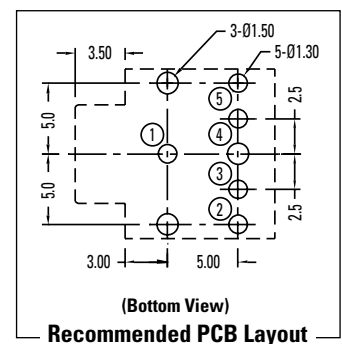
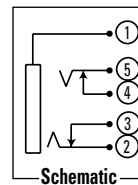
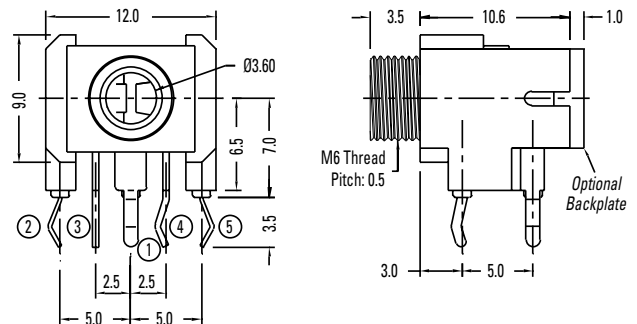
ST-3200-3CB

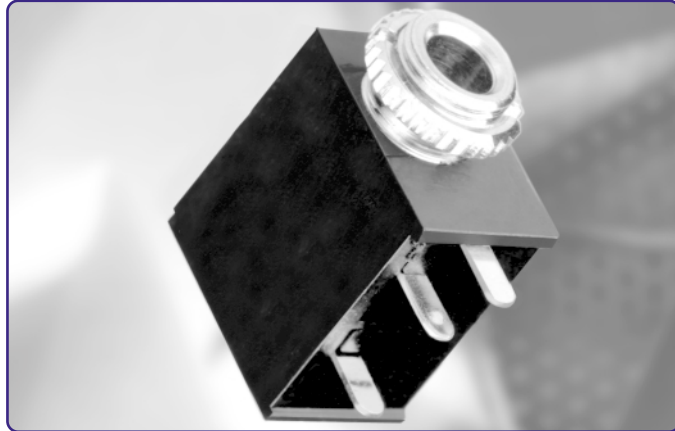


ST-3200-5NB



ST-3200-5CB





ST-314/ST-315 Series PCB Mount 3.5mm Jack Slim Design with Switch

Features



- Audio Applications for Computers and Multimedia
- Can be Used to Activate Speakers, an Equalizer or to Configure the Audio Signal
- Up to One Double-Pole Single-Throw Switch
- Spring Loaded Contacts for High Contact Reliability
- Narrow Body Uses Minimal Board Space
- CSA/NRTL Certified File No. LR78160

Performance Specifications

Materials and Finish

Audio Jack



Housing: PBT Thermoplastic, Black Color, UL94V-0 Rated

Cover: PBT Thermoplastic, UL94V-0 Rated

Bushing: Brass, Nickel Plated

Terminals and Contacts: Phosphor Bronze, Tin Plated

Coil Springs: Spring Steel

Mechanical Characteristics

Insertion Force

0.4kg - 3.0kg

Extraction Force

0.3kg - 3.0kg

Durability

5000 Mating Cycles

AUDIO JACKS

ST-314 / ST-315 Series

Electrical Characteristics

Contact Rating

DC 16V at 0.3 Amps

Contact Resistance

Before Durability Test

To Terminals: 30 Milliohms Max.

To Sleeve: 50 Milliohms Max.

After Durability Test with Mating Plug

To Terminals: 60 Milliohms Max.

To Sleeve: 100 Milliohms Max.

Insulation Resistance

100 Megohms Min. at 500V DC

Dielectric Strength

500V AC for 1 Minute

Temperature Rating

Operating Temperature: -25°C to +80°C

Ordering Information

ST-3140	-	3	N
Series		Number of Pins	Options

Series

ST-3140 - Crimped Leads, Black Cover

ST-3141 - Crimped Leads, Clear Cover

ST-3150 - Straight Leads, Black Cover

ST-3151 - Straight Leads, Clear Cover

Number of Pins

3 - 3 Pins

5 - 5 Pins

Options

C - Threaded Barrel

N - Non-Threaded Barrel

CM - Threaded Barrel, Mono

NM - Non-Threaded Barrel, Mono

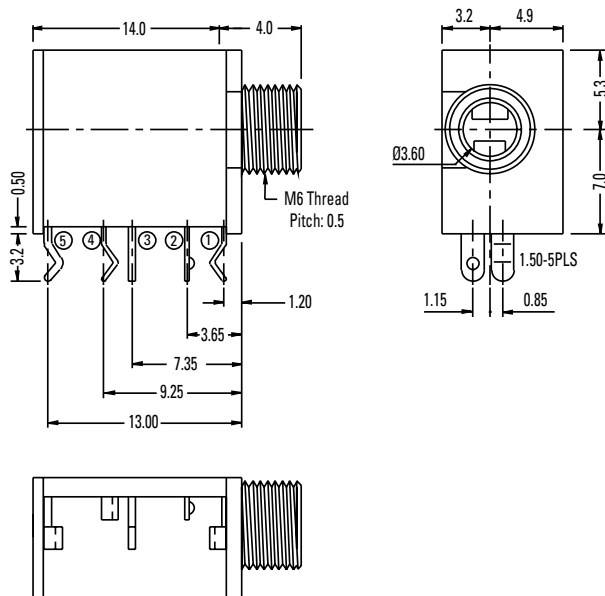
ST-314 and ST-315 Series Dimensions

Dimensions in mm

ST-3140 (Black Side Cover)

ST-3141 (Clear Side Cover)

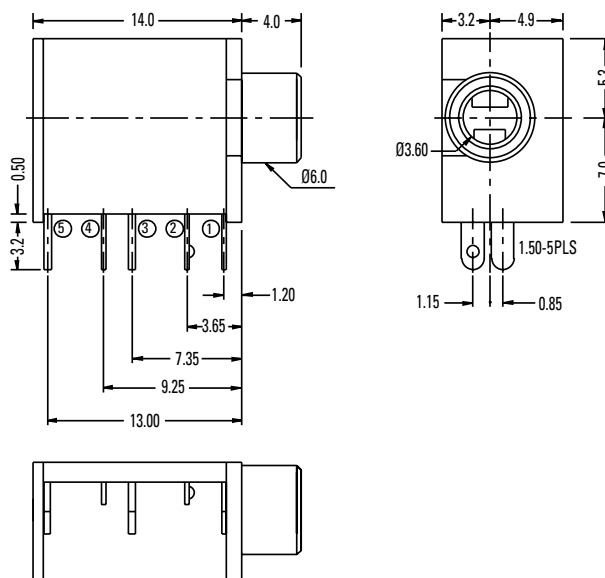
Crimped Leads (shown with Threaded Bushing)



ST-3150 (Black Side Cover)

ST-3151 (Clear Side Cover)

Straight Leads (shown with Non-Threaded Bushing)



AUDIO JACKS

ST-314 / ST-315 Series

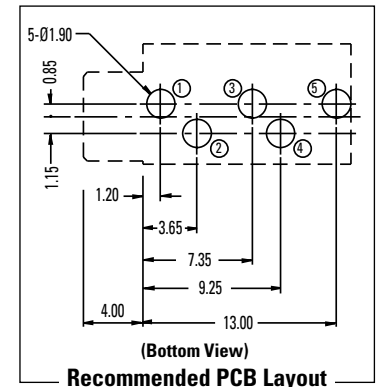
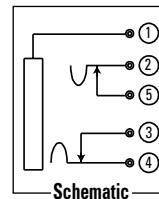
ST-314 and ST-315 Series Dimensions

Dimensions in mm

-5C and -5N Options

5 Pins

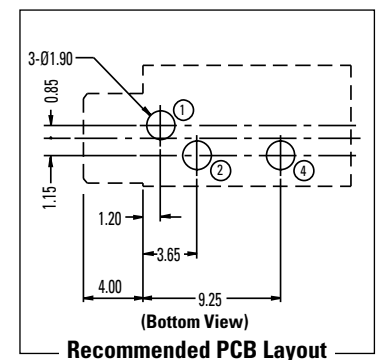
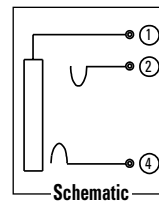
One Double-Pole, Single-Throw Switch



-3C and -3N Options

3 Pins

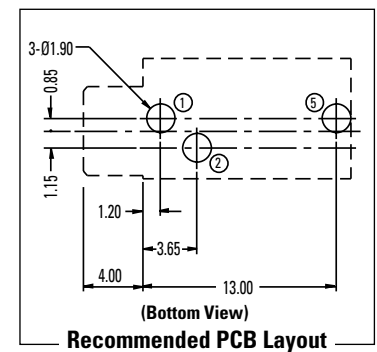
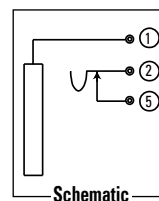
Audio Jack

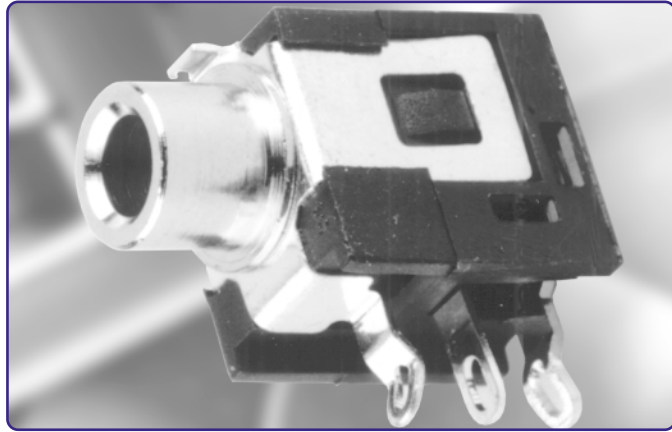


-3CM and -3NM Options

3 Pins, Mono

One Single-Pole, Single-Throw Switch





ST-3900 Series PCB Mount 3.5mm Audio Jack

Features



- Audio Applications for Computers and Multimedia
- Available with Threaded or Non-Threaded Metal Bushing
- CSA/NRTL Certified File No. LR78160

Performance Specifications

Materials and Finish

Housing

PBT Thermoplastic, Black Color UL94V-0 Rated 

Terminals

Copper Alloy, Tin over Nickel Plating

Mechanical Characteristics

Insertion Force: 0.4kg - 3.0kg

Extraction Force: 0.3kg - 3.0kg

Durability: 5000 Mating Cycles

Electrical Characteristics

Contact Resistance

Before Durability Test

50 Milliohms Max.

After Durability Test

100 Milliohms Max.

Insulation Resistance: 100 Megohms Min. at 500V DC

Dielectric Strength: 500V AC for 1 Minute

Operating Temperature: -25°C to +80°C

AUDIO JACKS

ST-3900 Series

Ordering Information

ST-3900	-	3	N	P
Series		Number of Pins	Threading Option	Panel Stop

Series

ST-3900 - 3.5mm Audio Jack

Number of Pins

3 - 3 Pins

Threading Option

C - Threaded

N - Non Threaded

Panel Stop Option

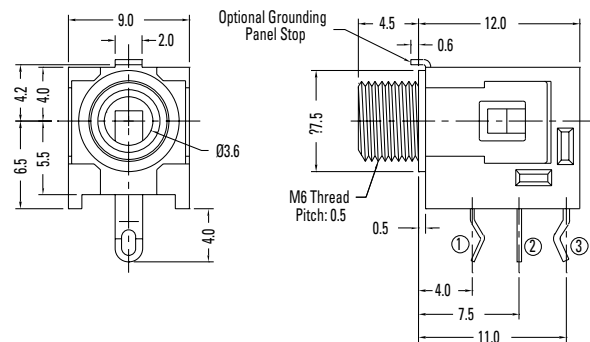
Blank - No Panel Stop

P - With Panel Stop

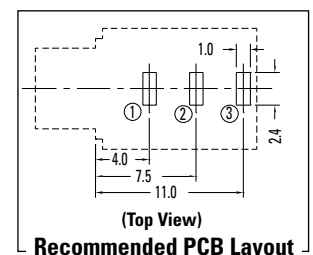
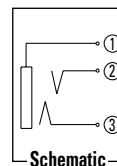
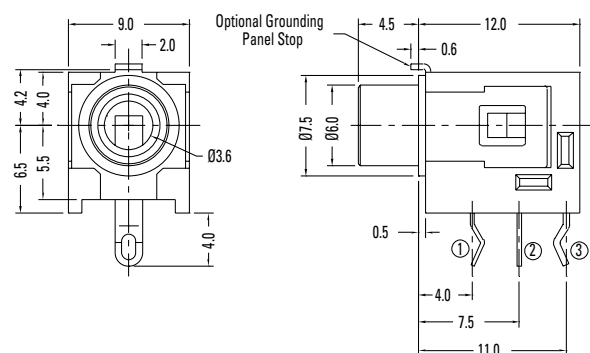
Dimensions

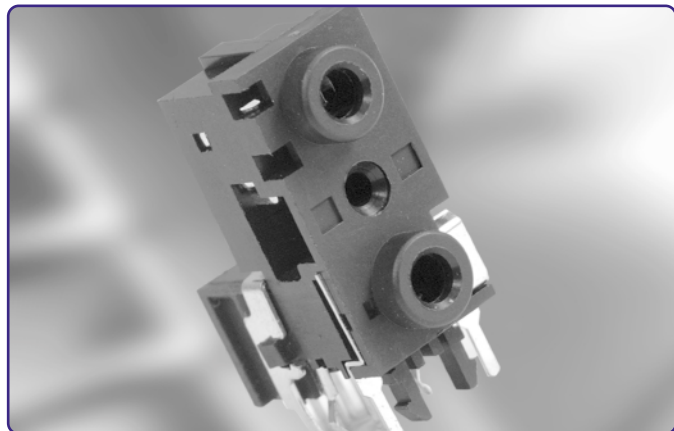
Dimensions in mm

ST-3900-3CP



ST-3900-3NP





ST-4235 Series Stacked 3.5mm Audio Jack

Features



- Audio Applications for Computers and Multimedia
- Can Be Used To Activate Speakers, an Equalizer or to Configure the Audio Signal
- Stacked Design Saves on Horizontal Board Space
- Multiple Switching Options Available
- CSA/NRTL Certified File No. LR78160

Performance Specifications

Materials and Finish

Housing

Nylon 66 Thermoplastic, 15% Glass Filled, Black Color, UL94V-0 Rated



Terminals

Copper Alloy, Tin over Nickel Plating

Switch Housing

PBT Thermoplastic

Switch Slide Knob

POM

Switch Terminals

Copper Alloy, Silver Plated

Mechanical Characteristics

Insertion Force

0.4kg - 3.0kg

Extraction Force

0.3kg - 3.0kg

Durability

5000 Mating Cycles

Electrical Characteristics

Insulation Resistance

100 Megohm Min. at 500V DC

Dielectric Strength

500V AC for 1 Minute

Contract Resistance

Before Durability Test

50 Milliohms Max.

After Durability Test

100 Milliohms Max.

Voltage Rating

16 Volts DC

Current Rating

0.3A

Operating Temperature

-25°C to +80°C

Ordering Information

ST-4235	-	3/5	-	N
Series		Configuration		Options

Series

ST-4235 - Stacked 3.5mm Audio Jack over 3.5mm Audio Jack

Configuration

3/3 - 3 Pins over 3 Pins

3/5 - 3 Pins over 5 Pins

3/9 - 3 Pins over 9 Pins

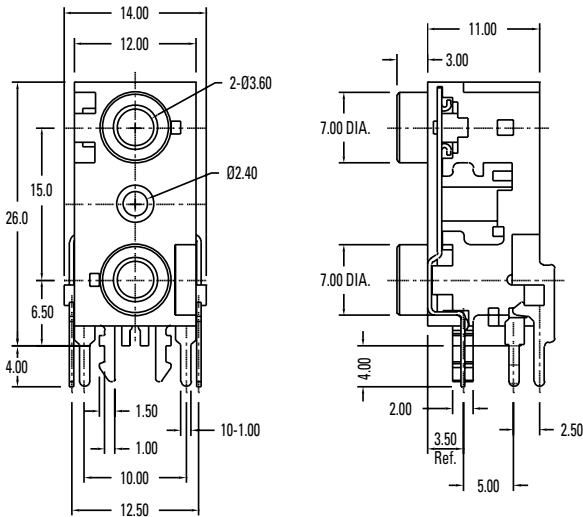
3/11 - 3 Pins over 11 Pins

Threading Options

N - Non-Threaded

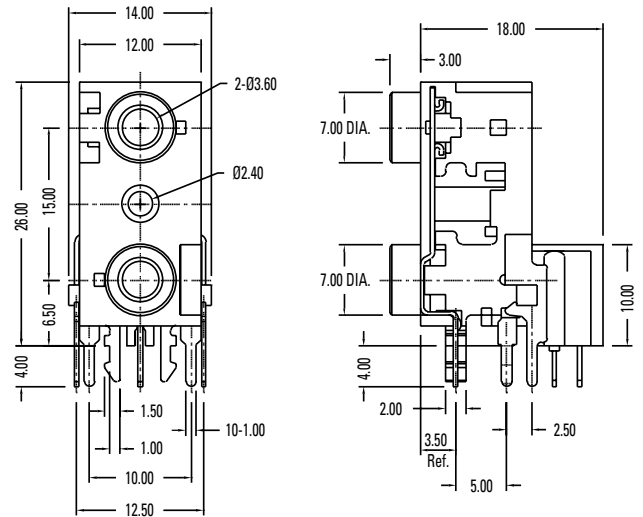
ST-4235 Dimensions

Dimensions in mm

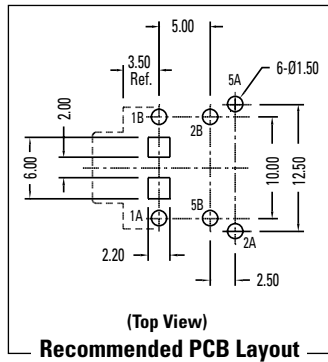
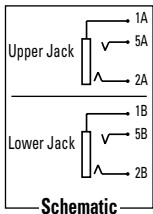


ST-4235 Dimensions

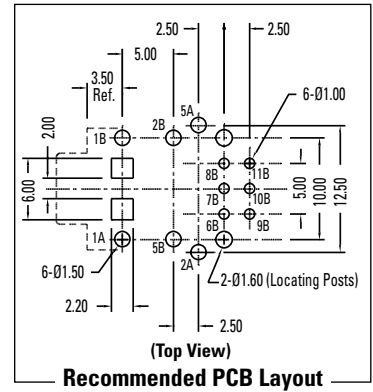
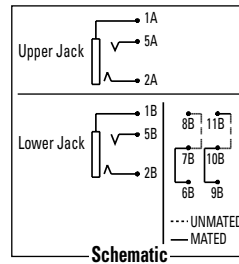
Dimensions in mm



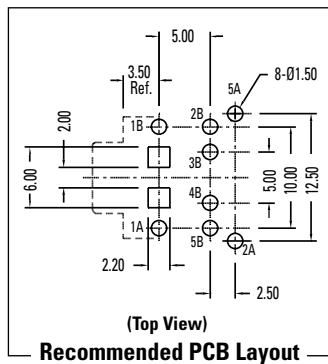
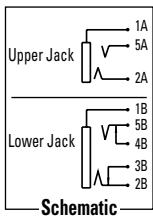
ST-4235-3/3-N



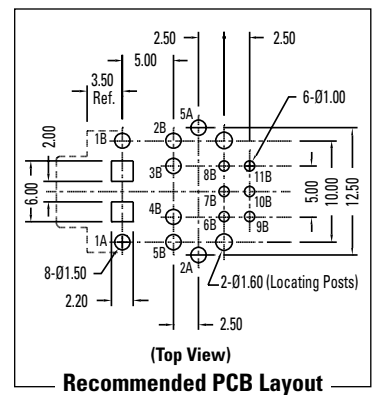
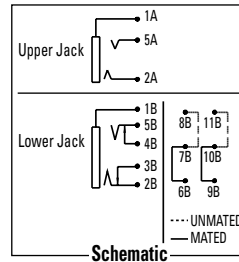
ST-4235-3/9-N



ST-4235-3/5-N



ST-4235-3/11-N





KLP Series RCA Phono Jack PCB Mount

Features




- Audio Applications for Computers and Multimedia
- Two Contact Cost Efficient Design
- Right Angle and Vertical Mount Available
- CSA/NRTL Certified File No. LR78160

Performance Specifications

Materials and Finish

Housing:

KLP - PBT Thermoplastic, UL94V-0 Rated, Black, Red, Yellow, Orange and White Colors 
 KLPHT* - Zytel HTN, High Temperature Nylon, UL94V-0 Rated, Black, Yellow, Red and White Colors

Terminals: Copper Alloy, Tin over Nickel Plating

Mechanical Characteristics

Insertion Force: 0.3kg - 5.0kg

Extraction Force: 0.3kg - 3.0kg

Durability: 5000 Mating Cycles

Electrical Characteristics

Contact Resistance:

Before Durability Test: 30 Milliohms Max

After Durability Test: 60 Milliohms Max

Insulation Resistance: 100 Megohms Min. at 500V DC

Dielectric Strength: 250V AC for 1 Minute

Operating Temperature: -25°C to +80°C

* Only Available in Right Angle

RCA PHONO JACKS

KLP Series

Ordering Information

KLP	-	0848A-2	-	B
Series		Type		Color

Series
 KLP - RCA Phono Jack
 KLPHT - Reflow Compatible Version

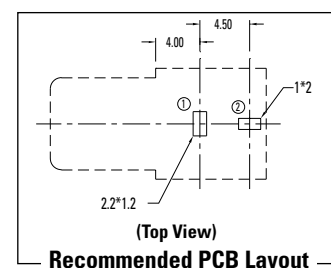
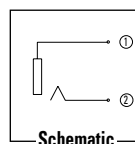
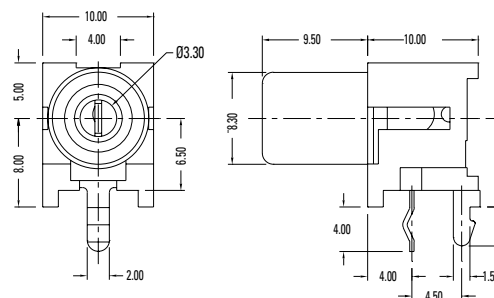
Type
 0848-2 - Single, Vertical
 0848A-2 - Single, Right Angle

Colors
 B - Black R - Red W - White Y - Yellow O - Orange

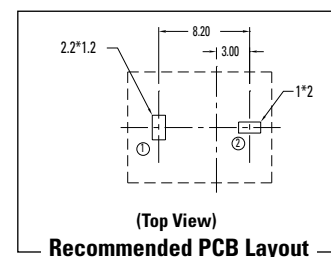
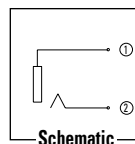
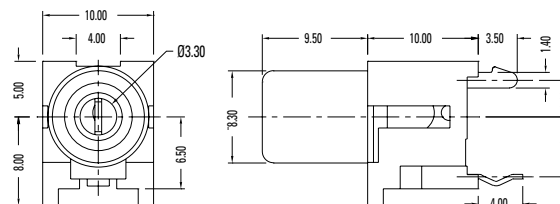
KLP Series Dimensions

Dimensions in mm

KLP-0848A-2



KLP-0848-2





KLP42 Series Stacked RCA Phono Jack PCB Mount

Features



- Audio Applications for Computers and Multimedia
- Gold Plating Available Upon Request
- Various Color and Stacking Options Available
- CSA/NRTL Certified File No. LR78160

Performance Specifications

Materials and Finish

Housing:

KLP42 - ABS Thermoplastic*, UL94V-0 Rated,
Black, Red, Yellow, and White Colors



Terminals: Copper Alloy, Tin over Nickel Plating

Mechanical Characteristics

Insertion Force:

0.3kg - 5.0kg

Extraction Force:

0.3kg - 3.0kg

Durability:

5000 Mating Cycles

Electrical Characteristics

Contact Resistance

Before Durability Test: 30 Milliohms Max
After Durability Test: 60 Milliohms Max

Insulation Resistance:

100 Megohms Min. at 500V DC

Dielectric Strength:

250V AC for 1 Minute

Operating Temperature:

-25°C to +80°C

*Not Recommended For Wave Solder Process

RCA PHONO JACKS

KLP42 Series

Ordering Information

KLP42	-	62	-	WW/RR/YY
Series		Type		Color

Series

KLP42 - Stacked RCA Phono Jack

Type

60 - Single Column, Double Row
61 - Double Column, Double Row
62 - Triple Column, Double Row

Color Layout

60 - X / Z
61 - X, X1 / Z, Z1
62 - X, Z / X1, Z1 / X2, Z2

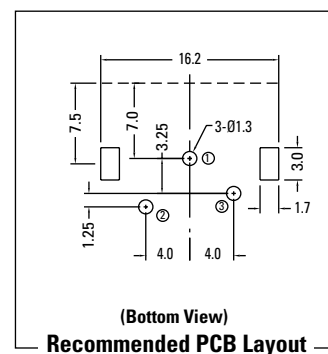
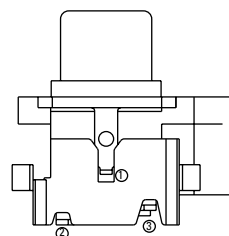
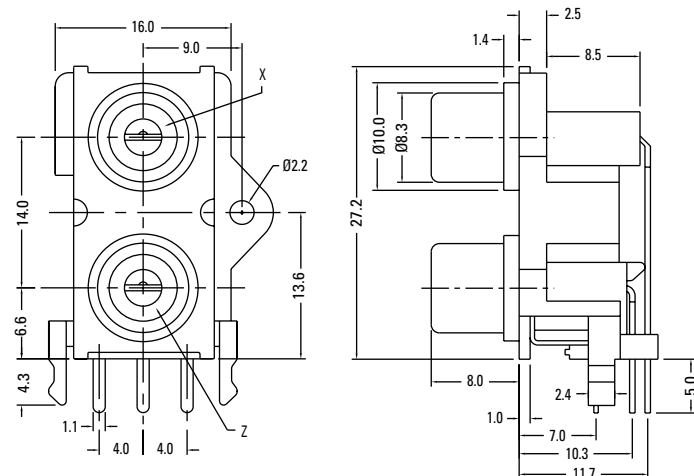
Color Options

B - Black R - Red W - White Y - Yellow

KLP42 Series Dimensions

Dimensions in mm

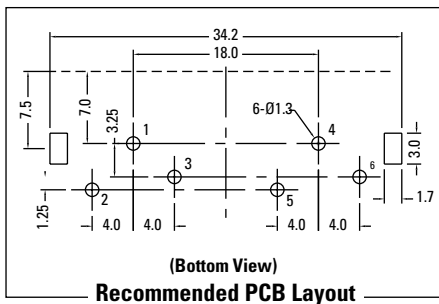
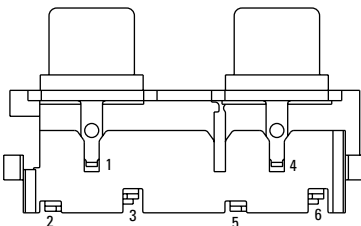
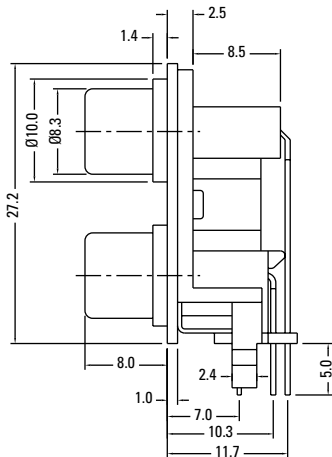
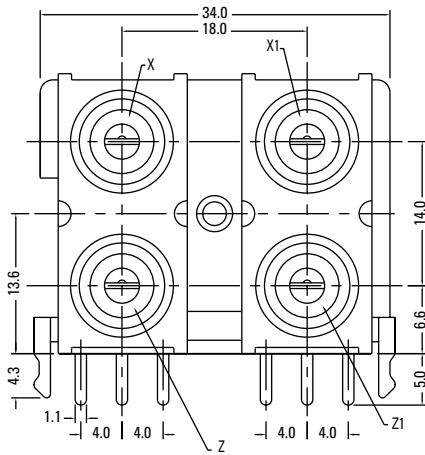
KLP42-60



KLP42 Series Socket Configurations and Recommended PCB Layout

Dimensions in mm

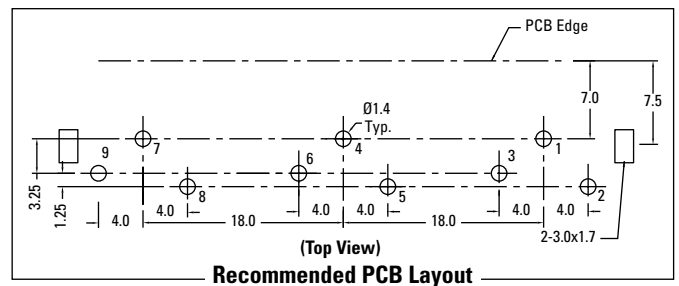
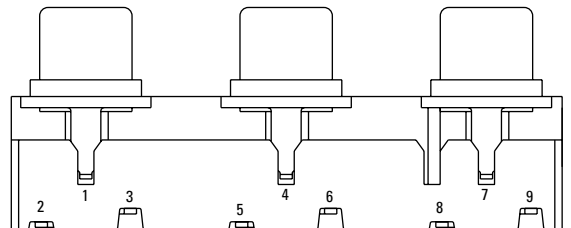
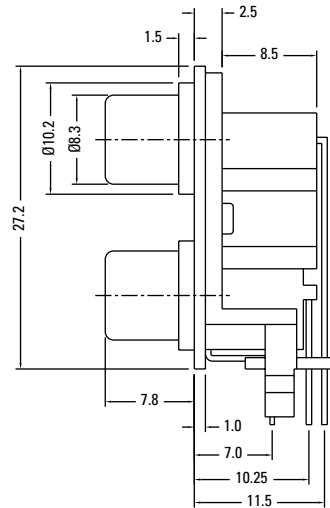
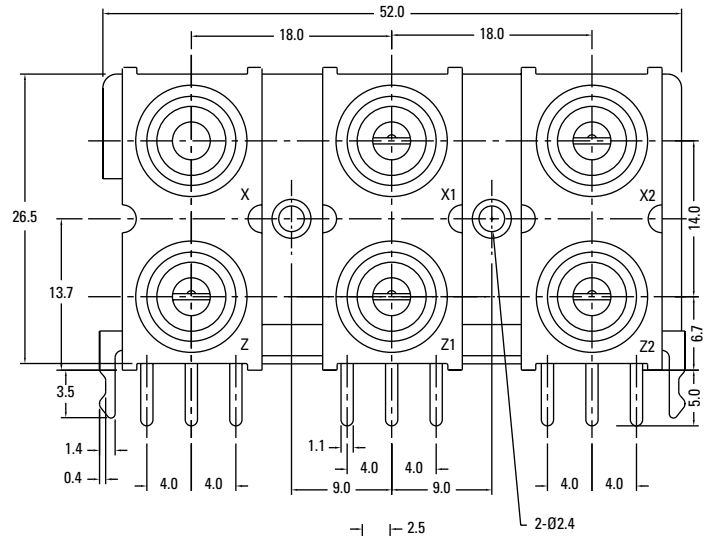
KLP42-61



RCA PHONO JACKS

KLP42 Series

KLP42-62



KYCON continues its leadership in DC Power Connectors by offering a complete line of sizes and options.

Features:

- Applications include Laptop Computers, Cellular Phones and other Consumer Electronic Devices
- Available in Through Hole, Surface Mount, Panel Mount and Reflow Compatible
- Tape and Reel Packaging Available for Automated Assembly
- Screw Machine Contact Center Pin for High Current Capability



DC POWER CONNECTORS

Directory

Right Angle 2.0 / 2.5mm

KLD - Through Hole	120
KLD-SMT - Hybrid	121
KLD-SMT2 - Surface Mount	122



Mini Right Angle 1.0 / 1.3mm

KLD - Through Hole	123
KLD-SMT - Surface Mount	124



Vertical 2.0 / 2.5mm

KLDV - Through Hole	125
KLDV-SMT - Surface Mount	126



Panel Mount 2.0 / 2.5mm

KLDP -	127
---------------	------------



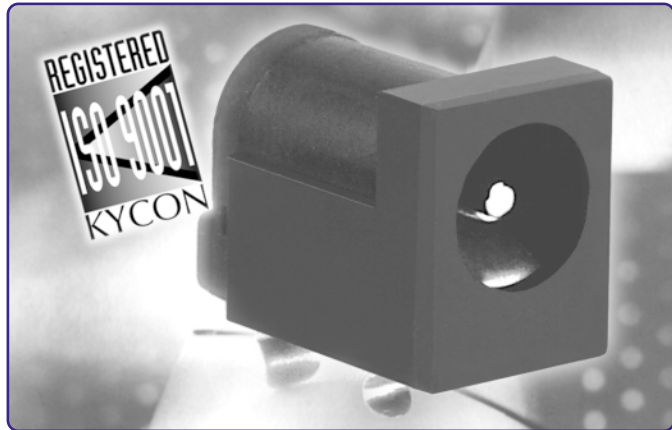
Snap & Lock

KPJ - PCB Mount	128
KPP - Cable Mount	128



Options:

Series	KLD	KLD-SMT	KLD-SMT2	KLD-(Mini)	KLD-SMT (Mini)	KLDV	KLDV-SMT	KLDP	KPJ	KPP
Through Hole	•			•		•			•	
SMT		•	•		•		•			
Panel Mount								•		
Vertical Mount						•	•			
Built in DC on/off	•	•	•	•	•	•	•	•		
High Temp	•	•	•	•	•	•	•			
2mm & 2.5mm Inner Pin DIA	•	•	•			•	•	•		
1mm & 1.3mm Inner Pin DIA				•	•					
Snap & Lock									•	•
Tape & Reel		•	•		•		•			
Plug										•



KLD Series PCB Mount DC Power Jack

Features

- 2.0mm and 2.5mm
- Built in DC On/Off Switch
- Screw Machine Contact Center Pin for High Current Capability
- Laptop and Palm Computers, Portable Modems, Radar Detectors, and Other Portable Device Applications
- CSA/NRTL Certified File No. LR78160



Materials and Finish



Plastic Housing: PBT Thermoplastic, UL 94V-0 Rated, Black Color

Center Pin: Copper Alloy, Nickel Plated

Contact #1 and #3: Brass, Tin Plated

Contact #2: Phosphor Bronze, Tin Plated

Electrical Characteristics

Contact Resistance

Before Durability Test

Between Terminals: 30 Milliohms Max.

Plug to Contacts: 50 Milliohms Max.

After Durability Test

Between Terminals: 60 Milliohms Max.

Plug to Contacts: 100 Milliohms Max.

Rated Voltage: DC 24V

Rated Current: 3.5 Amps

Insulation Resistance: 100 Megohms Min.

Dielectric Withstanding Voltage: 500V AC for 1 Minute

Mechanical Characteristics

Durability Test: 5000 Cycles

Insertion Force: 0.3kg - 2.0kg

Extraction Force: 0.3kg - 2.0kg

Operating Temperature: -25°C to +85°C

Ordering Information

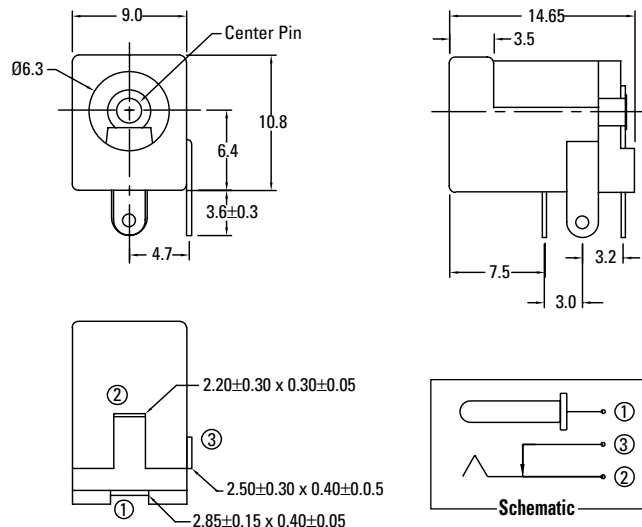
Part Number*	Inner Pin Diameter	Lead Style
KLD-0202-A	2.0mm±0.05	Straight
KLD-0202-AC	2.0mm±0.05	Crimped
KLD-0202-B	2.5mm±0.05	Straight
KLD-0202-BC	2.5mm±0.05	Crimped

DC POWER CONNECTORS

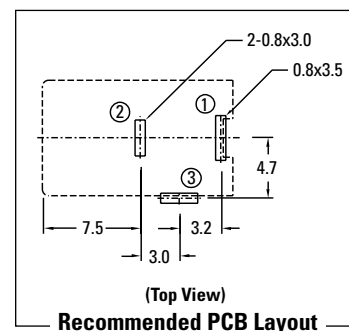
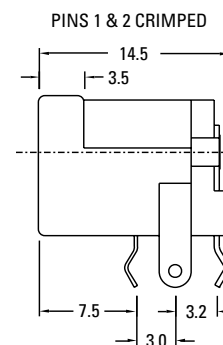
KLD Series

KLD Series Dimensions

KLD-0202-A, KLD-0202-B

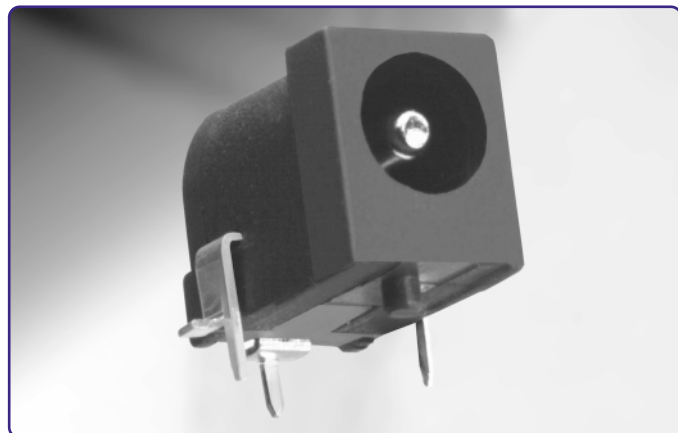


KLD-0202-AC, KLD-0202-BC



Dimensions in mm

*Also available - KLD-HT Reflow Compatible
Contact factory for specifications. 888-KYCON-22



KLD-SMT Series Hybrid DC Power Jack

Features

- 2.0mm and 2.5mm 
- Built in DC On/Off Switch
- Screw Machine Contact Center Pin for High Current Capability
- Laptop and Palm Computer, Portable Modems, Radar Detectors, and Other Portable Device Applications
- High Temperature Material For Reflow Compatibility
- Packaged in Tubes for Automated Assembly
- Optional Center Peg Available
- CSA/NRTL Certified File No. LR78160

Performance Specifications

Materials and Finish

Plastic Housing: Polyamide High Temperature Thermoplastic, UL 94V-0 Rated, Black Color

Center Pin: Copper Alloy, Nickel Plated

Contact #1: Brass, Tin Plated

Contact #2: Phosphor Bronze, Silver Plated

Contact #3: Brass, Silver Plated

Electrical Characteristics

Contact Resistance

Before Durability Test

Between Terminals: 30 Milliohms Max

Plug to Contacts: 50 Milliohms Max

After Durability Test

Between Terminals: 60 Milliohms Max

Plug to Contacts: 100 Milliohms Max

Rated Voltage

DC 24V

Rated Current

3.5 Amps

Insulation Resistance

100 Megohms Min.

Dielectric Withstanding Voltage

500V AC for 1 Minute

DC POWER CONNECTORS

KLD-SMT Series

Mechanical Characteristics

Durability Test: 5000 Cycles

Insertion Force: 0.3 kg - 2.0 kg

Extraction Force: 0.3 kg - 2.0 kg

Operating Temperature: -25°C to +85°C

Max Reflow Soldering Temperature:

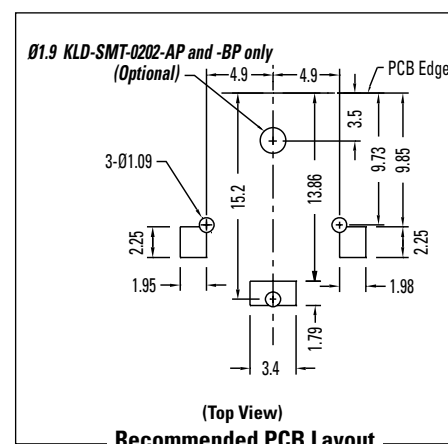
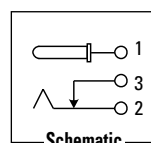
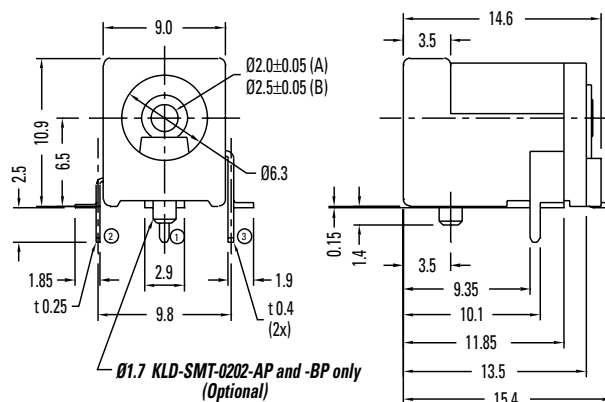
230°C for 30 Seconds

260°C for 10 Seconds

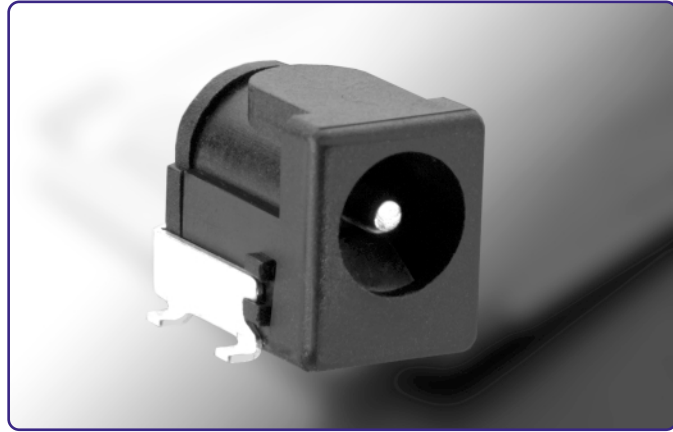
Ordering Information

Part Number	Inner Pin Diameter	Center Peg
KLD-SMT-0202-A	2.0mm±0.05	No
KLD-SMT-0202-AP	2.0mm±0.05	Yes
KLD-SMT-0202-B	2.5mm±0.05	No
KLD-SMT-0202-BP	2.5mm±0.05	Yes

KLD-SMT Series Dimensions



Dimensions in mm



KLD-SMT2 Series Surface Mount DC Power Jack

Features

- 2.0mm and 2.5mm
- Built in DC On/Off Switch
- Screw Machine Contact Center Pin for High Current Capability
- Laptop and Palm Computers, Portable Modems, Radar Detectors, and Other Portable Device Applications
- Surface Mount
- CSA/NRTL Certified File No. LR78160



Materials and Finish

Plastic Housing: Nylon 66 High Temperature Thermoplastic,
UL 94V-0 Rated, Black Color

Center Pin: Copper Alloy, Nickel Plated

Contact #1: Phosphor Bronze, Silver Plated

Contact #2 and #3: Brass, Silver Plated

Electrical Characteristics

Contact Resistance

Before Durability Test

Between Terminals: 30 Milliohms Max.

Plug to Contacts: 50 Milliohms Max.

After Durability Test

Between Terminals: 60 Milliohms Max.

Plug to Contacts: 100 Milliohms Max.

Rated Voltage:

DC 24V

Rated Current:

3.5 Amps

Insulation Resistance:

100 Megohms Min.

Dielectric Withstanding Voltage:

500V AC for 1 Minute

DC POWER CONNECTORS

KLD-SMT2 Series

Mechanical Characteristics

Durability Test: 5000 Cycles

Insertion Force: 0.3kg - 2.0kg

Extraction Force: 0.3kg - 2.0kg

Operating Temperature: -25°C to +85°C

Max Reflow Soldering Temperature:

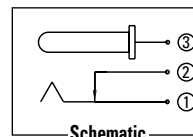
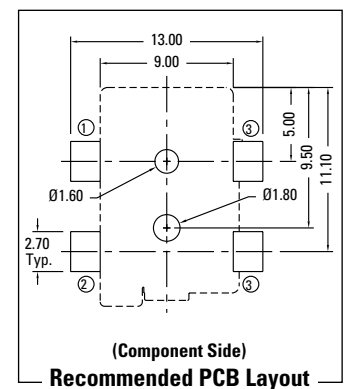
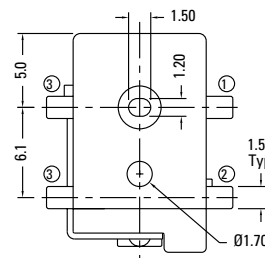
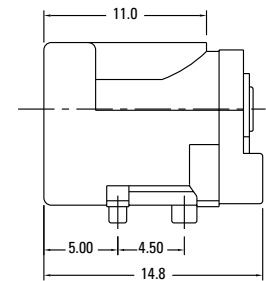
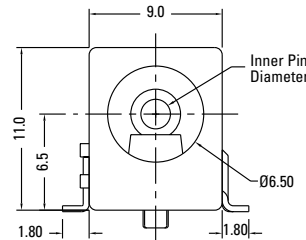
230°C for 30 Seconds

260°C for 10 Seconds

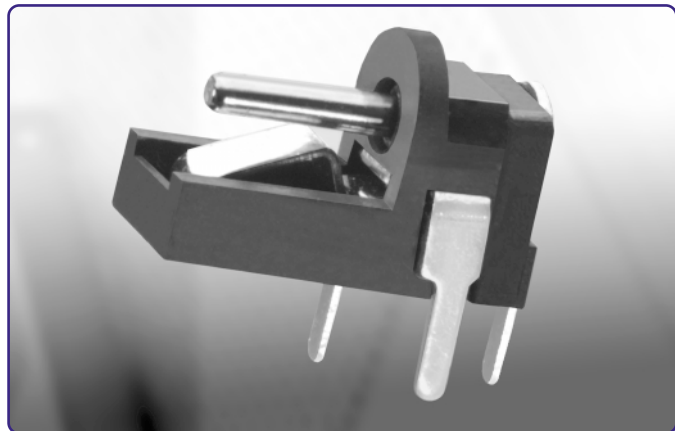
Ordering Information

Part Number*	Inner Pin Diameter	Packaging
KLD-SMT2-0202-A	2.0mm±0.05	Bulk
KLD-SMT2-0202-A-TR	2.0mm±0.05	Tape & Reel
KLD-SMT2-0202-B	2.5mm±0.05	Bulk
KLD-SMT2-0202-B-TR	2.5mm±0.05	Tape & Reel

KLD-SMT2 Series Dimensions



Dimensions in mm



KLD Series PCB Mount Mini DC Power Jack

Features

- 1.0mm and 1.3mm
- Built in DC On/Off Switch
- Screw Machine Contact Center Pin for High Current Capability
- CSA/NRTL Certified File No. LR78160



Materials and Finish

Standard: Plastic Housing: PBT Thermoplastic, UL 94V-0 Rated, Black Color

Center Pin: Copper Alloy, Nickel Plated

Contact #1 and #3: Brass, Tin Plated

Contact #2: Phosphor Bronze, Tin Plated

HT Option: Plastic Housing: PA66 High Temperature Thermoplastic, UL 94V-0 Rated, Black Color

Center Pin: Copper Alloy, Nickel Plated

Contact #1 and #3: Brass, Silver Plated

Contact #2: Phosphor Bronze, Silver Plated

Electrical Characteristics

Contact Resistance

Before Durability Test

Between Terminals: 30 Milliohms Max.

Plug to Contacts: 50 Milliohms Max.

After Durability Test

Between Terminals: 60 Milliohms Max.

Plug to Contacts: 100 Milliohms Max.

Rated Voltage: DC 24V, **Rated Current:** 2.5 Amps

Insulation Resistance: 50 Megohms Min.

Mechanical Characteristics

Durability Test: 5000 Cycles

Insertion Force: 0.3kg - 2.0kg

Extraction Force: 0.3kg - 2.0kg

Operating Temperature: -25°C to +85°C

Ordering Information

Part Number	Inner Pin Diameter	Body/Lead Style
KLD-0201-A/-AHT*	1.0mm±0.05	Closed, Straight Leads
KLD-0201-B/-BHT*	1.3mm±0.05	Closed, Straight Leads
KLD-0101-A	1.0mm±0.05	Open, Straight Leads
KLD-0101-B	1.3mm±0.05	Open, Straight Leads
KLD-0201-AC	1.0mm±0.05	Closed, Crimped Leads
KLD-0201-BC	1.3mm±0.05	Closed, Crimped Leads

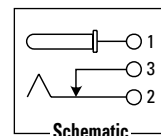
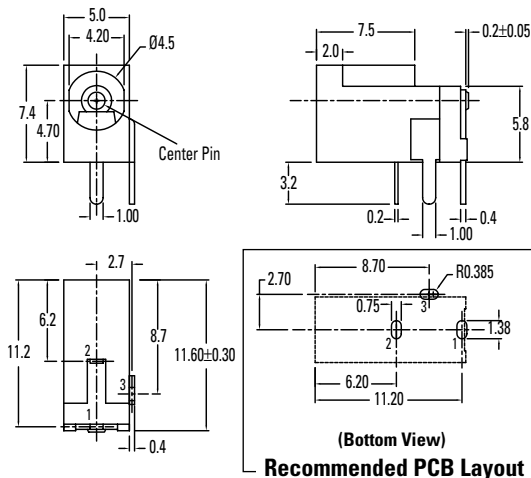
*High temperature option (HT) also available in Tape & Reel Packaging (-TR)

DC POWER CONNECTORS

KLD Series

KLD Series Dimensions

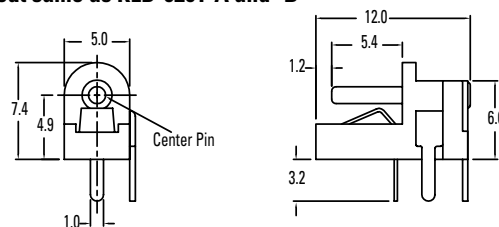
KLD-0201-A, KLD-0201-B



Available with Crimped Leads
Please Contact Factory for PCB Layout
(-AC & -BC Options)

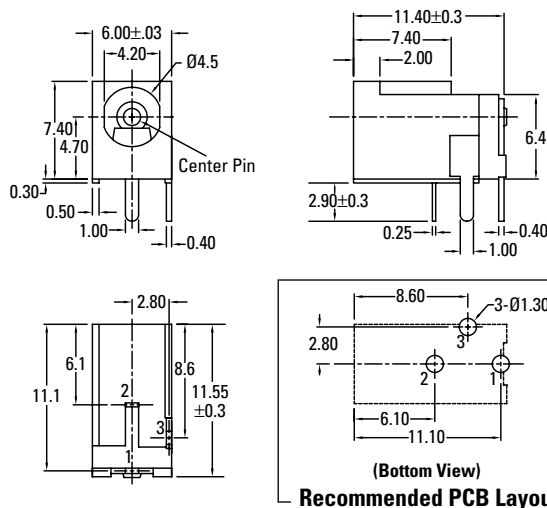
KLD-0101-A, KLD-0101-B

PCB Layout same as KLD-0201-A and -B

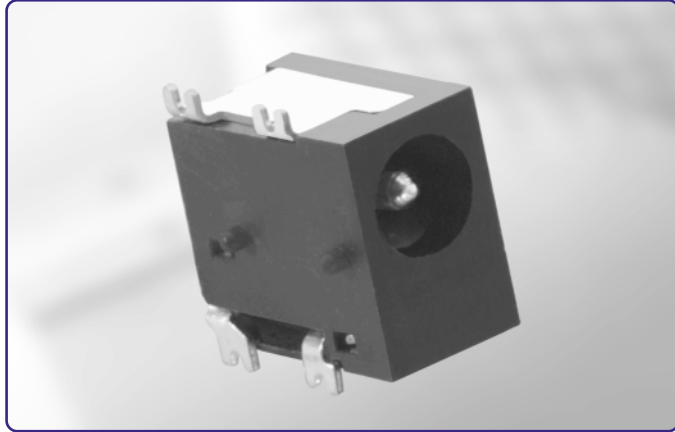


KLD-0201-AHT, KLD-0201-BHT

Max. Soldering Temp: 230°C for 30 sec.



Dimensions in mm



KLD-SMT Series Surface Mount Mini DC Power Jack

Features



- 1.0mm and 1.3mm
- Built in DC On/Off Switch
- Screw Machine Contact Center Pin for High Current Capability
- Laptop and Palmtop Computers, Portable Modems, Radar Detectors, and Other Portable Device Applications
- High Temperature Material For Reflow Compatibility
- Packaged in Tape & Reel for Automated Assembly
- CSA/NRTL Certified File No. LR78160

Performance Specifications

Materials and Finish

Plastic Housing:

LCP High Temperature Thermoplastic, UL94V-0 Rated, Black Color



Center Pin: Copper Alloy, Nickel Plated

Contact #1: Phosphor Bronze, Silver Plated

Contact #2 and #3: Brass, Silver Plated

Electrical Characteristics

Contact Resistance

Before Durability Test

Between Terminals: 30 Milliohms Max.

Plug to Contacts: 50 Milliohms Max.

After Durability Test

Between Terminals: 60 Milliohms Max.

Plug to Contacts: 100 Milliohms Max.

Rated Voltage: 24V DC

Rated Current: 2.5 Amps

Insulation Resistance: 100 Megohms Min.

Dielectric Withstanding Voltage: 500V AC for 1 Minute

DC POWER CONNECTORS

KLD-SMT Series

Mechanical Characteristics

Durability Test: 2500 Cycles

Insertion Force: 0.3kg - 2.0kg

Extraction Force: 0.3kg - 2.0kg

Operating Temperature: -25°C to +85°C

Max Reflow Soldering Temperature

230°C for 30 Seconds

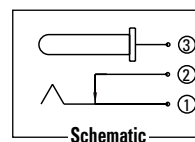
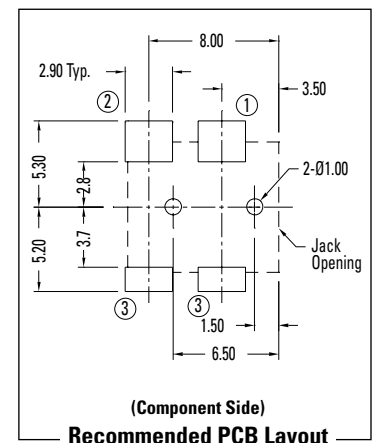
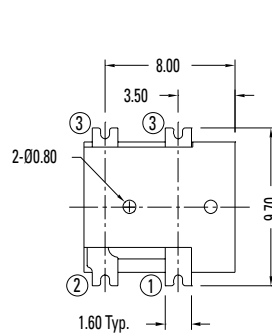
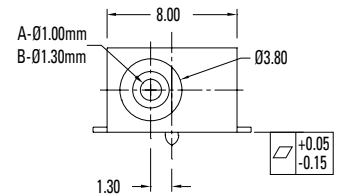
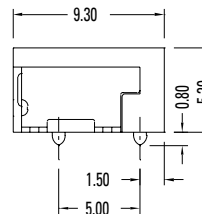
260°C for 10 Seconds

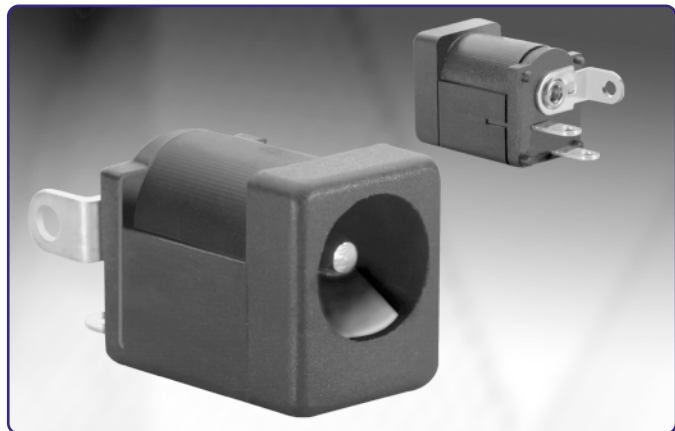
Part Number	Inner Pin Diameter	Packaging
KLD-SMT-0201L-A	1.0mm	Bulk
KLD-SMT-0201L-A-TR	1.0mm	Tape & Reel
KLD-SMT-0201L-B	1.3mm	Bulk
KLD-SMT-0201L-B-TR	1.3mm	Tape & Reel

KLD Series Dimensions

Dimensions in mm

KLD-SMT-0201L





KLDV Series Vertical PCB Mount DC Power Jack

Features



- 2.0mm and 2.5mm
- Mounts Perpendicular to PCB
- Built in DC On/Off Switch
- Screw Machine Contact Center Pin for High Current Capability
- CSA/NRTL Certified File No. LR78160

Performance Specifications

Materials and Finish



Plastic Housing: PBT Thermoplastic, UL94V-0, Black Color

Center Pin: Brass, Nickel Plated

Contact #2: Phosphor Bronze, Tin Plated

Contact #1 and #3: Brass, Tin Plated

Electrical Characteristics

Contact Resistance

Before Durability Test

Between Terminals: 30 Milliohms Max.

Plug to Contacts: 50 Milliohms Max.

After Durability Test

Between Terminals: 60 Milliohms Max.

Plug to Contacts: 100 Milliohms Max.

Rated Voltage

24V DC

Rated Current

3.5 Amps

Insulation Resistance

100 Megohms Min.

Dielectric Withstanding Voltage

500V AC for 1 Minute

DC POWER CONNECTORS

KLDV-SMT Series

Mechanical Characteristics

Durability Test

5000 Cycles

Insertion Force

0.3kg - 2.0kg

Extraction Force

0.3kg - 2.0kg

Operating Temperature

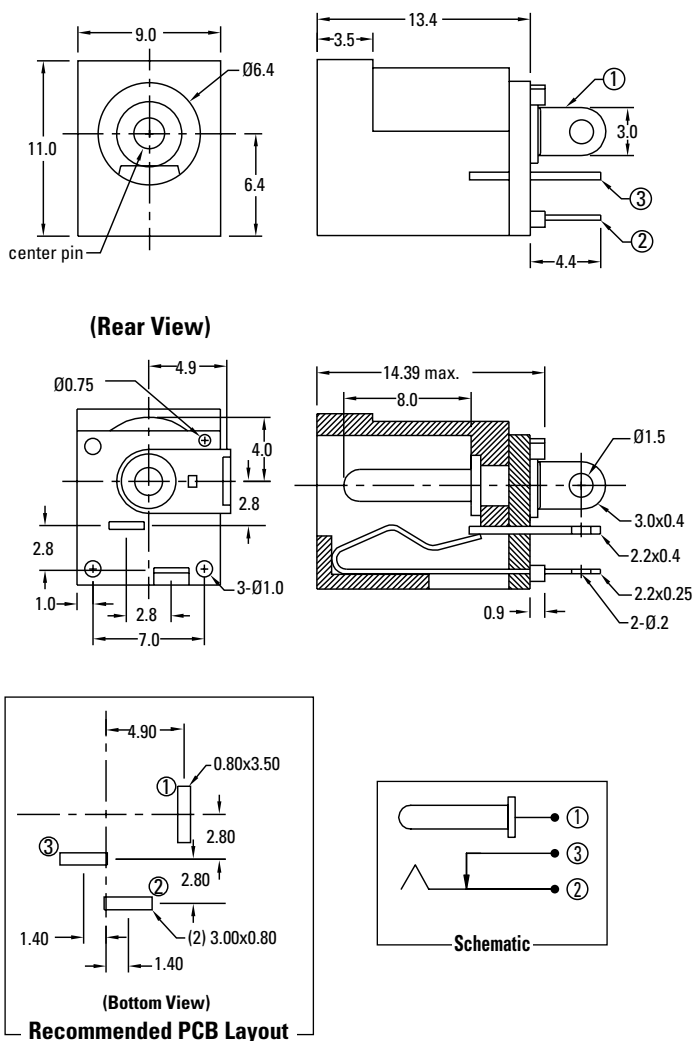
-25°C to +85°C

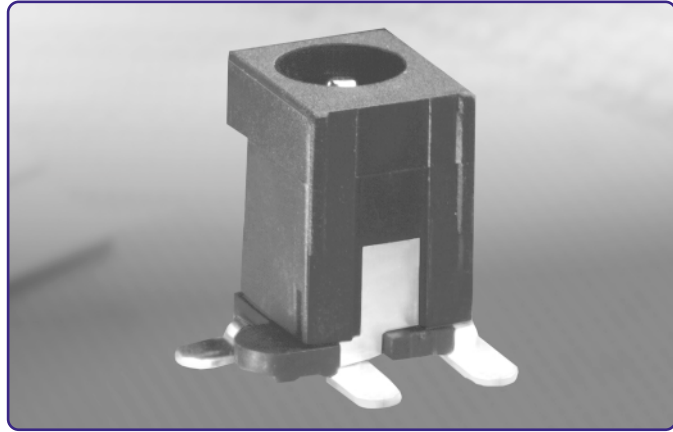
Ordering Information

Part Number	Inner Pin Diameter
KLDV-0202-A	2.0mm
KLDV-0202-B	2.5mm

KLDV Series Dimensions

Dimensions in mm





KLDV-SMT Series Vertical Surface Mount DC Power Jack

Features



- 2.0mm and 2.5mm
- Mounts Perpendicular to PCB
- Built in DC On/Off Switch
- Screw Machine Contact Center Pin for High Current Capability
- CSA/NRTL Certified File No. LR78160
- Packaged in Tape & Reel for Automated Assembly

Performance Specifications

Materials and Finish

Plastic Housing:

NY6T High Temperature Thermoplastic, UL94V-0, Black Color

Center Pin:

Copper Alloy, Nickel Plated

Contact #2:

Phosphor Bronze, Silver Plated

Contact #1 and #3:

Brass, Silver Plated

Electrical Characteristics

Contact Resistance

Before Durability Test

Between Terminals: 30 Milliohms Max.

Plug to Contacts: 50 Milliohms Max.

After Durability Test

Between Terminals: 60 Milliohms Max.

Plug to Contacts: 100 Milliohms Max.

Rated Voltage

16V DC

Rated Current

3.0 Amps

Insulation Resistance

100 Megohms Min.

Dielectric Withstanding Voltage

500V AC for 1 Minute

DC POWER CONNECTORS

KLDV-SMT Series

Mechanical Characteristics

Durability Test

5000 Cycles

Insertion Force

0.3kg - 2.0kg

Extraction Force

0.3kg - 2.0kg

Operating Temperature

-25°C to +85 °C

Max Reflow Soldering Temperature:

230°C for 30 Seconds

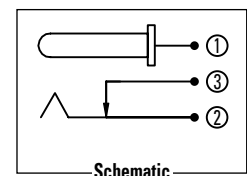
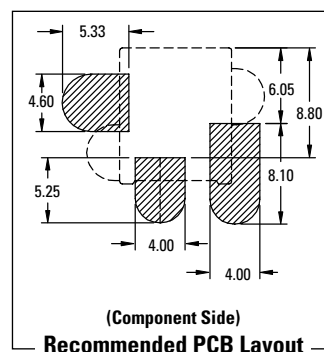
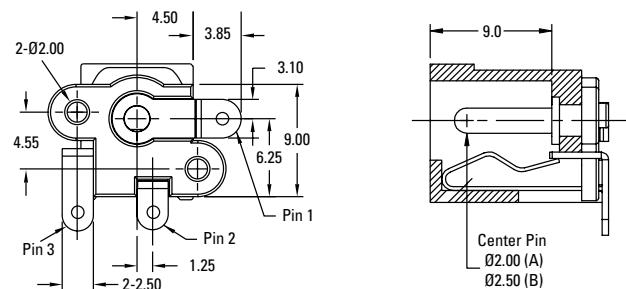
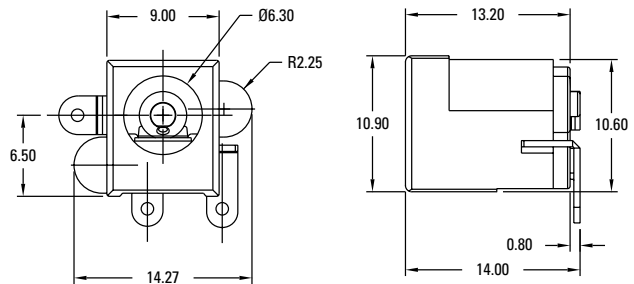
260°C for 10 Seconds

Ordering Information

Part Number	Inner Pin Diameter
KLDV-SMT-02-A-TR	2.0mm
KLDV-SMT-02-B-TR	2.5mm

KLDV-SMT Series Dimensions

Dimensions in mm





KLDP Series Panel Mount DC Power Jack

Features



- 2.0mm and 2.5mm
- Panel Slot Mount
- Solder Eyelets
- Built in DC On/Off Switch
- Screw Machine Contact Center Pin for High Current Capability
- Portable Electronic Devices
- CSA/NRTL Certified File No. LR78160

Performance Specifications

Materials and Finish

Plastic Housing

PBT Thermoplastic, 30% Glass Filled, UL 94V-0 Rated, Black Color

Center Pin: Copper Alloy, Nickel Plated

Contact #1: Phosphor Bronze, Tin Plated

Contact #2 and #3: Brass, Tin Plated

Electrical Characteristics

Contact Resistance

Before Durability Test

Between Terminals: 30 Milliohms Max.

Plug to Contacts: 50 Milliohms Max.

After Durability Test

Between Terminals: 60 Milliohms Max.

Plug to Contacts: 100 Milliohms Max.

Rated Voltage

DC 24V

Rated Current

3.5 Amps

Insulation Resistance

50 Megohms Min.

DC POWER CONNECTORS

KLDP Series

Mechanical Characteristics

Durability Test

5000 Cycles

Insertion Force

0.3kg - 2.0kg

Extraction Force

0.3kg - 2.0kg

Operating Temperature

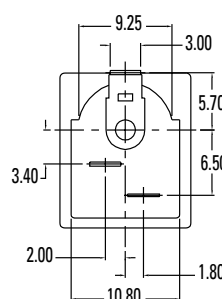
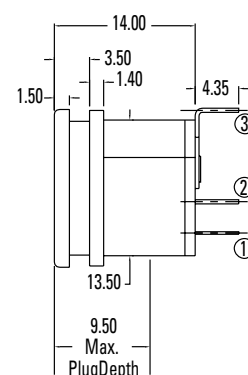
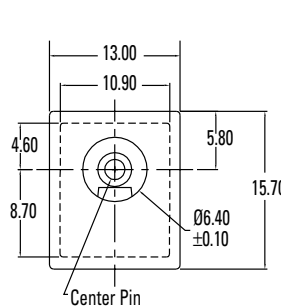
-25°C to +85°C

Ordering Information

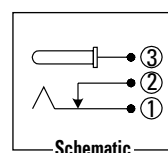
Part Number	Inner Pin Diameter
KLDP-0207-A	2.0mm
KLDP-0207-B	2.5mm

KLDP Series Dimensions

Dimensions in mm



Terminal Dimensions (mm)		
#	Width	Thickness
1	3.30	0.25
2	3.10	0.40
3	3.00	0.40





KPP/KPJ Series Snap and Lock PCB and Cable Mount

Features



- Laptop Computers, Power Supplies and Other Portable Digital Equipment Applications
- Snap and Lock Feature Helps to Prevent Accidental Disconnects
- Two or Four Pins Transmit Power, or One Pin Can be Used For Signal Transmission
- For Signal and DC Power Applications
- Plugs Supplied in Kits Ready for Assembly
- CSA/NRTL Certified File No. LR78160

Performance Specifications Materials and Finish

Jack

Shield: Tin Plated
Body: PBT UL 94V-0 Rated
7.5 Amp Power Contact: Brass, Tin Plated 0.000010
1.0 Amp Signal Contact: Phosphor Bronze, Tin Plated 0.000010



Plug

Shield: Nickel Plated
Pins: Copper Alloy, Silver Plated
Plastics: UL 94V-0 Rated



Electrical Characteristics

Contact Rating

3 Positions: Pin 1 and 2, 48V DC at 7.5A Max., Pin 3, 48V DC 1.0A Max.

4 Positions: 48V DC 7.5A Max. for all Pins

Insulation Resistance: 50 Megohms Min. at 250V DC

Dielectric Strength: 250V AC for 1 Minute

Contact Resistance: 50 Milliohms Max.

DC POWER CONNECTORS

KPJ / KPP Series

Mechanical Characteristics

- Durability Test: 1000 Cycles
- Suggested Wire Awg. #18 for Power Wires, #24 for Signal Wire

Ordering Information

KPJ	-	3	S	-
Series		Number of Contacts	Contact Type	Shield Option

Series
 KPJ - Kycon Snap and Lock DC Power Jack, Right Angle PCB Mount Receptacle
 KPP - Kycon Snap and Lock DC Power Plug Cable Mount

Number of Contacts
 3,4

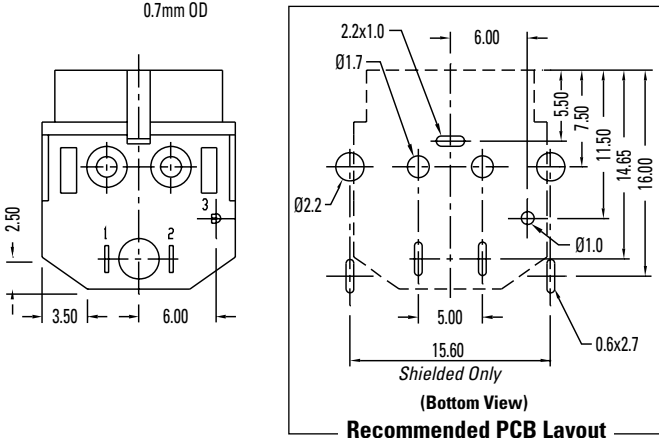
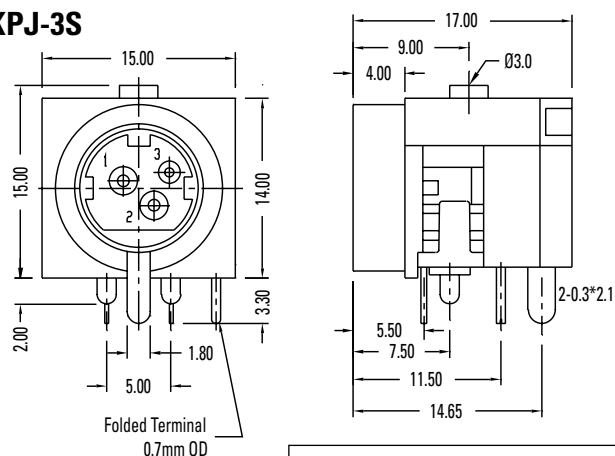
Contact Type
 S - Socket (KPJ Only)
 P - Plug (KPP Only)

Shield Option
 Blank - Non-Shielded
 S - Shielded (KPJ only)

KPJ Series Dimensions

Dimensions in mm

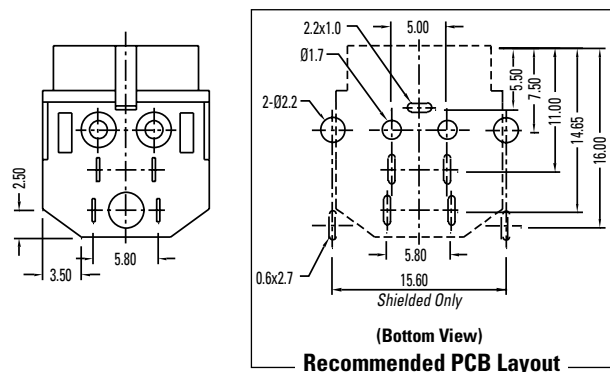
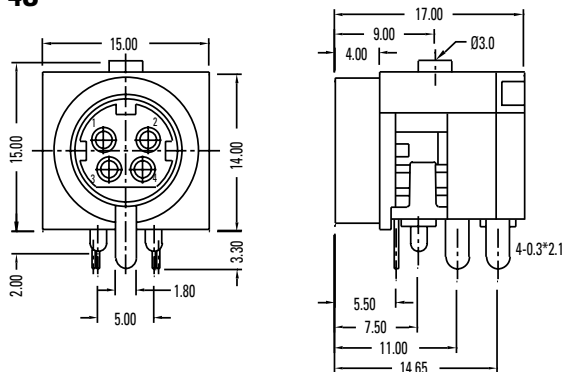
KPJ-3S



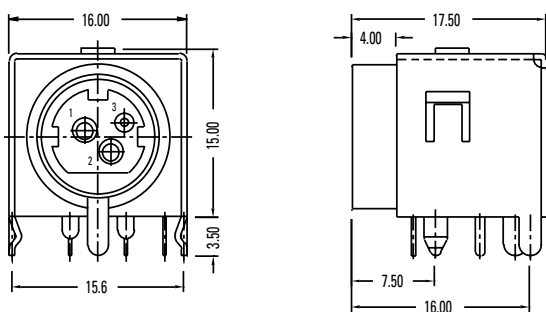
KPJ Series Dimensions

Dimensions in mm

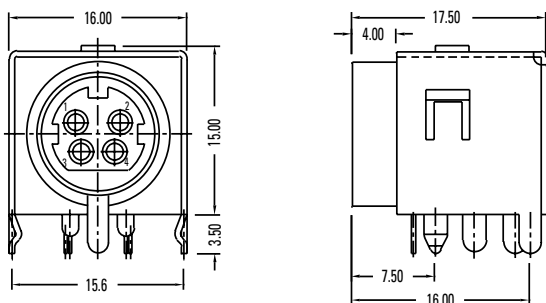
KPJ-4S



KPJ-3S-S

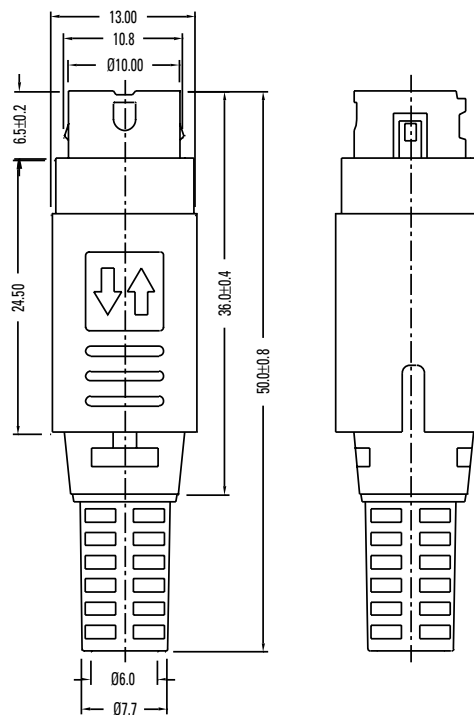
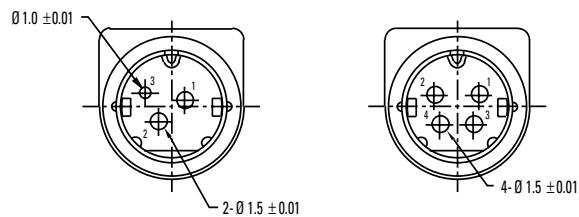


KPJ-4S-S



KPP Series Dimensions

Dimensions in mm



KYCON continues its leadership in Connectors by offering a complete line of sizes and options.

Features:

- Various options available
- CSA/NRTL Certified File No. LR78160
- European applications

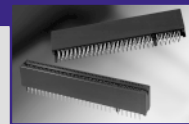


OTHER CONNECTORS & SOCKETS

Directory

Edge Card

KHDS - High Density Card Edge **131**



DIMM Sockets

KDM - Sockets **132**



SCART Connectors

K-SCART - Right Angle, Vertical, Single & Stacked **134**



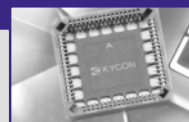
Miniature Ribbon Connectors

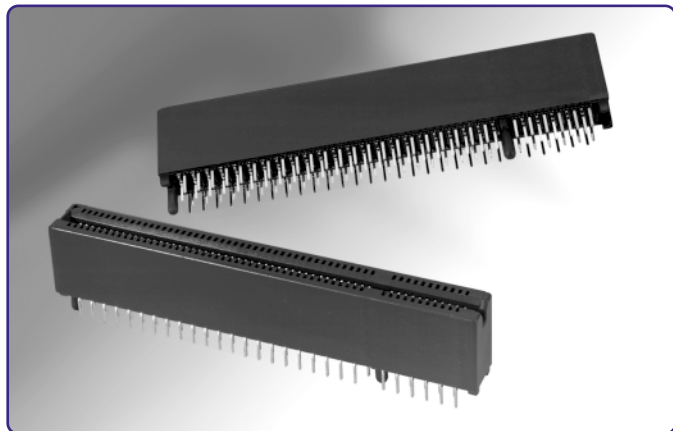
37 Series - Features & Specifications **136**
37 Series - Vertical **137**
37 Series - Right Angle **138**



Chip Carrier Sockets

P- Through Hole **139**
SMP - Surface Mount **140**





*KHDS Series
High Density
0.050" (1.27mm) Spacing*

Features



- PCI (32 & 64 bit), AGP, and Microchannel Applications (MCA)
- Surface Mount Compatible Materials
- Visual and Mechanical Polarization
- CSA/NRTL Certified File No. LR78160

Performance Specifications

Materials and Finish

Body

High Temperature Thermoplastic, Glass Filled, UL94V-0 Rated

Contact Material

Phosphor Bronze

Contact Finish

Contacts are Plated with 0.0001 (0.0025) Nickel, Gold Flash on Contact Area, and Tin/Lead on the Solder Tail

Electrical Characteristics

Contact Current Rating

1 Amp

Contact Resistance

30 Milliohms Max.

Dielectric Withstanding Voltage

500V AC for 1 Minute

Insulation Resistance

1000 Megohms Min after Exposure to Humidity

Plating Options

Designator	Plating Description
Standard	Gold flash over nickel on contacts. Tin/lead over nickel on soldertails.
15	15µ" gold over nickel on mating end of contacts. Tin/lead over nickel on soldertails.
30	30µ" gold over nickel on mating end of contacts. Tin/lead over nickel on soldertails.

Mechanical Characteristics

Insertion Force

8 Oz. Max.

Separation Force

1 Oz. Min.

Durability

100 Cycles

Steady State Humidity

90-95% RH at 40°C

Vibration

10 G's, 10-500 Hz, 2 Hrs.

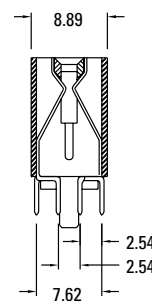
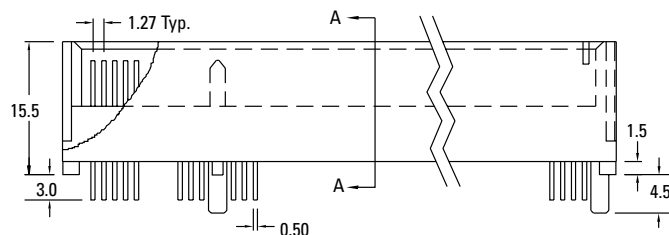
Temperature Rating

-50°C to +125°C

KHDS Series Dimensions

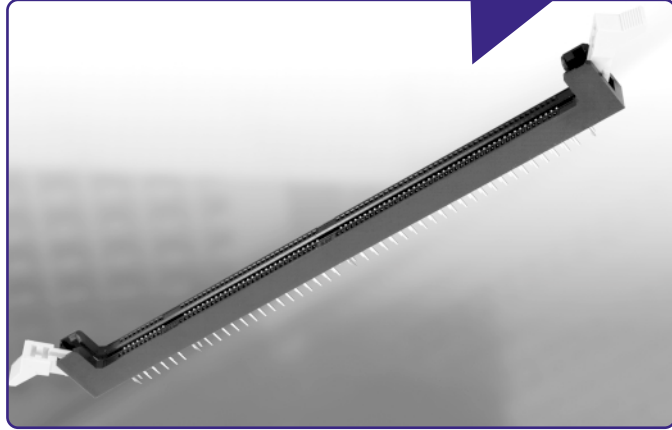
Dimensions in mm

0.050" [1.27mm] Contact Spacing



A - A

Part Number	Description	Application	Color
KHDS-112-G	112 Contacts, Plastic Peg	MCA	Brown
KHDS-120-G	120 Contacts, Plastic Peg	PCI	White
KHDS-132-G	132 Contacts, Plastic Peg	AGP	Brown
KHDS-182-G	182 Contacts, Plastic Peg	MCA	Brown
KHDS-184-G-3V	184 Contacts, Plastic Peg, 3.3 Volts	PCI	White
KHDS-184-G-5V	184 Contacts, Plastic Peg, 5.0 Volts	PCI	White



KDM Series 168 Position DIMM Socket

Features



- 168 Position Socket for Dual Inline Memory Modules
- Mates with JEDEC MO-161E Compatible DIMMs
- Visual and Mechanical Polarization
- Available in DRAM, SDRAM and Unbuffered DRAM
- CSA/NRTL Certified File No. LR78160

Performance Specifications

Materials and Finish

Body

Nylon 6T UL94V-0 Rated, Glass Fiber Reinforced, Black Color

Ejectors:

Nylon 6T UL94V-0 Rated, Glass Fiber Reinforced, Natural Color

Terminals

Phosphor Bronze

Contact Plating

Gold Plating over Nickel on Contact Area,
Tin/Lead Plating on Terminal

Other Plating Options Available, Contact Kycon for Details

Electrical Characteristics

Voltage Rating

250 V AC

Current Rating

Signal Application Only

Insulation Resistance

1000 Megohm

Dielectric Withstanding

1000V AC for 1 Minute

Operating Temperature

-50°C to +125°C

DIMM SOCKETS

KDM Series

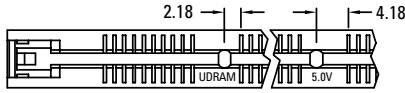
Ordering Information

P/N	Post Location	PCB Layout	RAM	Voltage
KDM168-5.0DR1TN	B, C, D	B, C, D	DRAM	5.0V
KDM168-3.3DR1TN	B, C, D	B, C, D	DRAM	3.3V
KDM168-5.0DR2TN	A, D	A, D	DRAM	5.0V
KDM168-3.3DR2TN	A, D	A, D	DRAM	3.3V
KDM168-5.0DR3TN	B, C	B, C	DRAM	5.0V
KDM168-3.3DR4TN	A, C, D	A, C, D	DRAM	3.3V
KDM168-5.0SD4TN	A, C, D	A, C, D	SDRAM	5.0V
KDM168-3.3SD4TN	A, C, D	A, C, D	SDRAM	3.3V
KDM168-5.0UN4TN	A, C, D	A, C, D	Unbuffered DRAM	5.0V
KDM168-3.3UN4TN	A, C, D	A, C, D	Unbuffered DRAM	3.3V
KDM168-3.3UN1TN	B, C, D	B, C, D	Unbuffered DRAM	3.3V
KDM168-3.3UN5TN	A, B, C, D	A, B, C, D	Unbuffered DRAM	3.3V

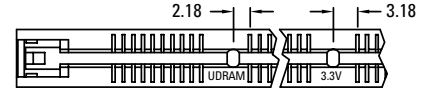
KDM Series Dimensions

Dimensions in mm

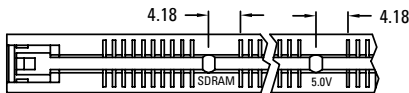
5.0V UNBUFFERED DRAM



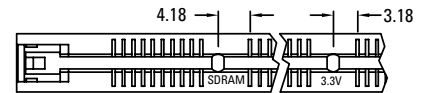
3.3V UNBUFFERED DRAM



5.0V SDRAM

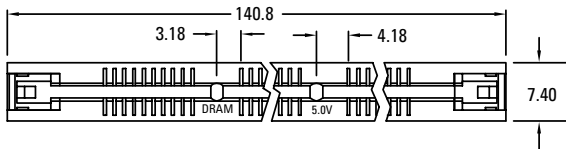


3.3V SDRAM

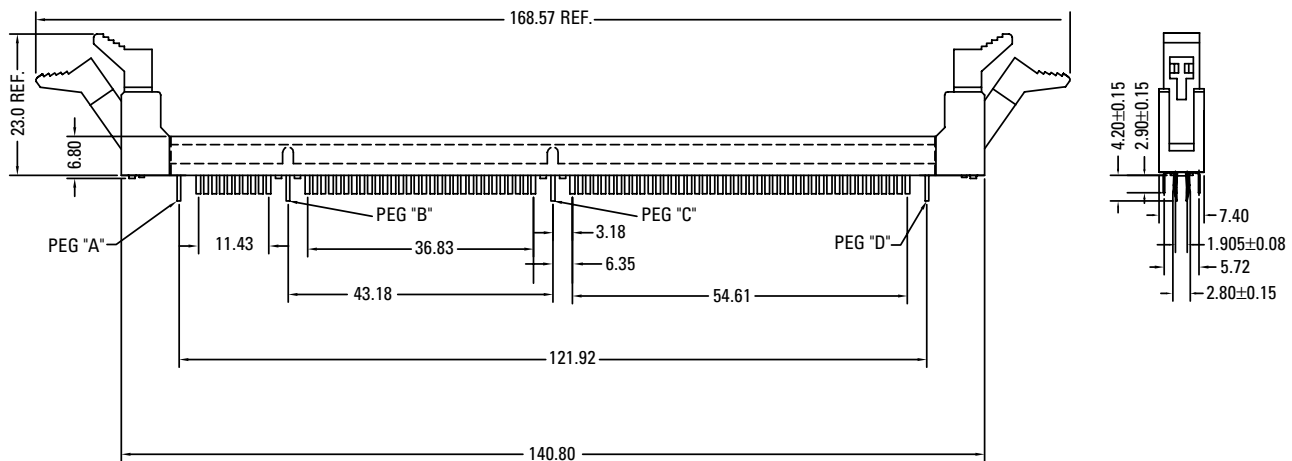
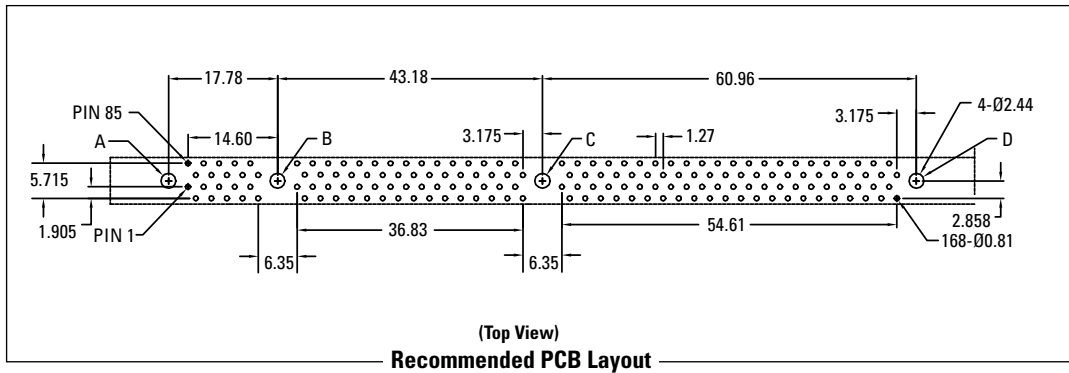
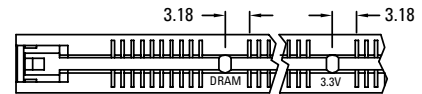


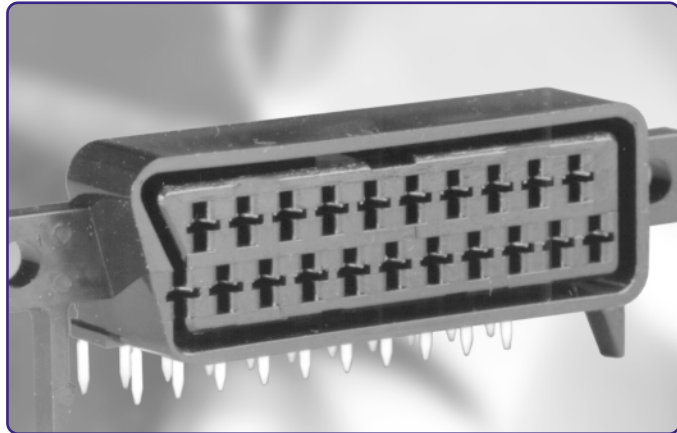
5.0V DRAM

Ejectors not shown in this view



3.3V DRAM





K-SCART Series SCART Connectors

Features



- European Video Applications
- Single and Dual Port Available
- Right Angle and Vertical Design Options
- Various Mounting Options Available
- CSA/NRTL Certified File No. LR78160

Performance Specifications

Materials and Finish

Body: PBT Thermoplastic, UL94V-2 Rated, Black Color

Contacts: Phosphor Bronze, Tin/Lead Plated



Mechanical Characteristics

Insertion Force

11.0kg Max.

Extraction Force

1.1kg - 7.0kg

Electrical Characteristics

Current Rating

3.0A 100V AC

Contact Resistance

20 Megohms Max.

Insulation Resistance

100 Megohms Min. at 500V DC

Dielectric Withstanding Voltage

800V AC for 1 Minute

Operating Temperature

-25°C to +85°C

Ordering Information

Part Number	Description
K-SCART-021	Single 21 Position, Right Angle
K-SCART-028A	21 Position Over 21 Position, Right Angle
K-SCART-022	Single 21 Position, Right Angle, Slim
K-SCART-024	Single 21 Position, Vertical

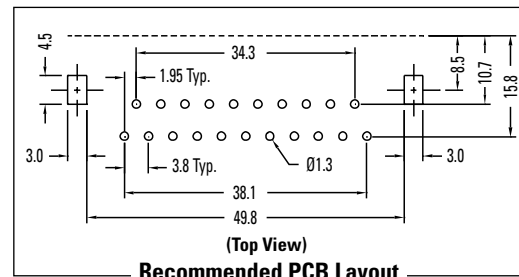
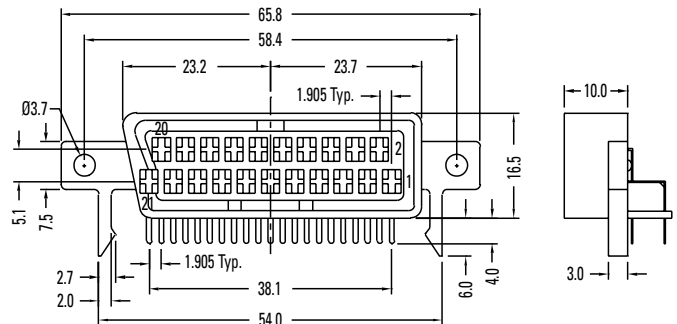
SCART CONNECTORS

K-SCART Series

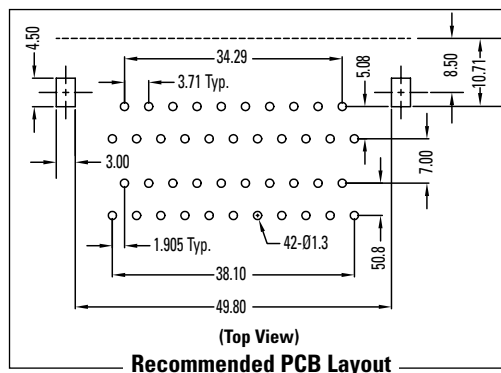
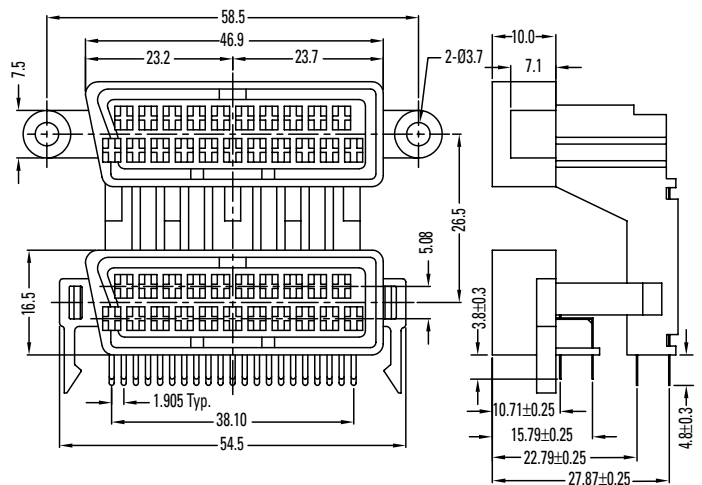
K-SCART Series Dimensions

Dimensions in mm

K-SCART-021



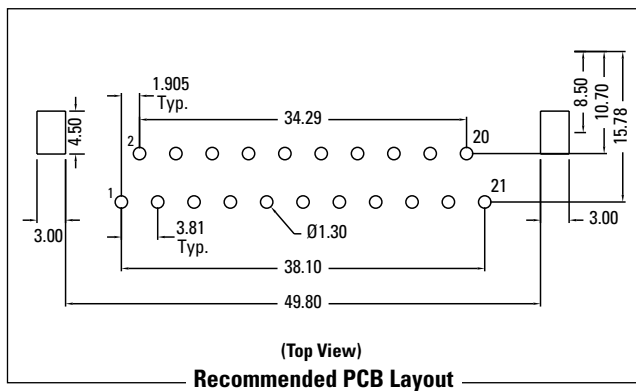
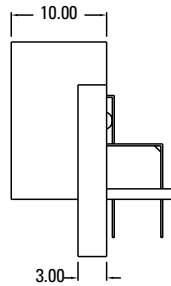
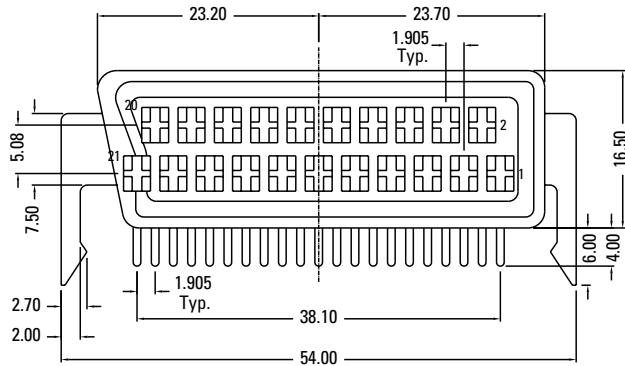
K-SCART-028A



K-SCART Series Dimensions

Dimensions in mm

K-SCART-022



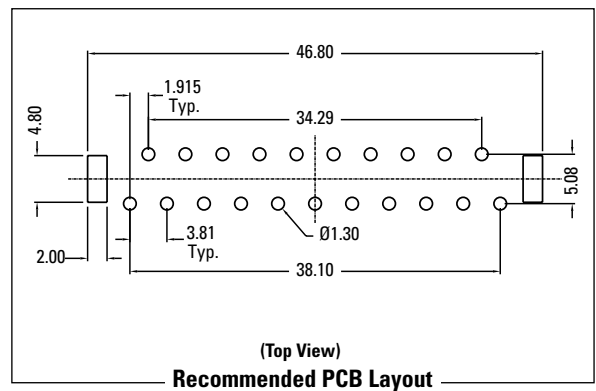
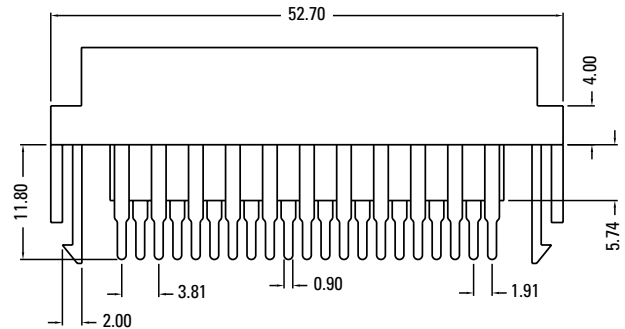
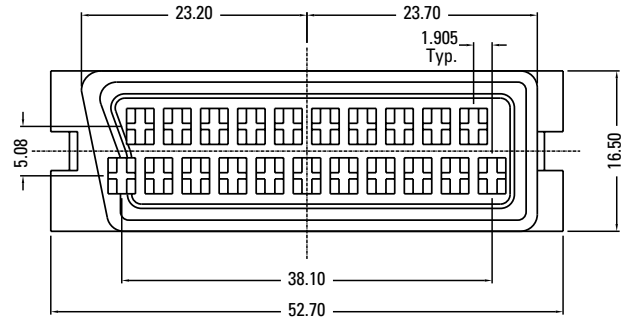
SCART CONNECTORS

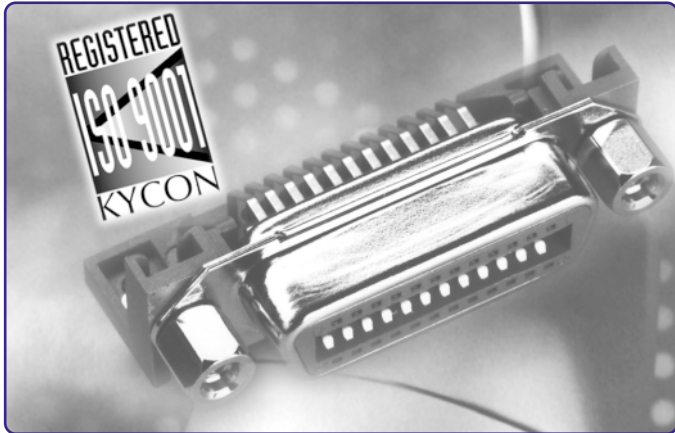
K-SCART Series

K-SCART Series Dimensions

Dimensions in mm

K-SCART-024






37 Series Miniature Ribbon Connectors

Features



- Applications Include Computer Peripherals, Data Processing, Telecommunications and Industrial Controls
- UL Recognized Material 
- Design Meets the Requirements of IEEE-488 and SCSI Applications
- Plug and Socket Available in 14, 24, 36, and 50 Positions
- Bright Nickel Plated Shells for EMI/RFI Shielding
- D Shaped Connector Mating and Polarization
- CSA/NRTL Certified File No. LR78160

Performance Specifications

Materials and Finish

Shell

Steel Material, Nickel Finish

Insert

PBT Thermoplastic, Blue, 30% Glass Filled, Self-Extinguishing, 94V-0 Rated

Contact Material

Phosphor Bronze

Contact Finish

Gold Flash Over 0.0001 (0.00254) Nickel

MINIATURE RIBBON CONNECTORS

37 Series

Mechanical Characteristics

Insertion and Withdrawal Force

Number of Contacts	Insertion Force (kg)	Withdrawal Force (kg)
14	1.4	1.0
24	2.7	1.9
36	3.7	2.0
50	4.6	4.3

Durability

Subjected to 500 Cycles of Insertions and Withdrawals, After Test, Connectors Meet the Maximum Contact Resistance Specifications

Electrical Characteristics

Contact Current Rating

5 Amps

Contact Resistance

Voltage Drop, at DC 5 Amps Current, Shall be 8.5 Millivolts Max

Dielectric Withstanding Voltage

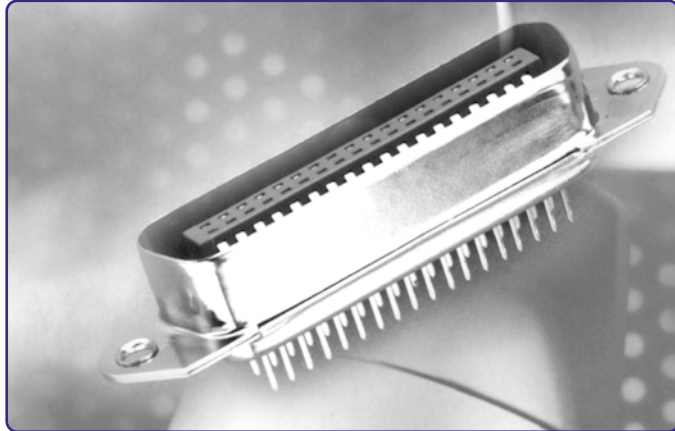
1200 V AC Min

Insulation Resistance

1000 Megohms Min

Temperature Rating

-55°C to + 105°C



*Vertical PCB Mount
Miniature Ribbon
Connectors*

Ordering Information

Receptacles Without Spring Latch	
Contacts	Part Number
14	37-20140-11
24	37-20240-23
36	37-20360-19
50	37-20500-85

Receptacles With Spring Latch	
Contacts	Part Number
14	37-40140-13
24	37-40240-14
36	37-40360-24
50	37-40500-24

Plugs	
Contacts	Part Number
14	37-10140-10
24	37-10240-12
36	37-10360-25
50	37-10500-73

Mounting Options

Designator*	Description
- K	4-40 Threaded Bushings
- KJM	4-40 Threaded Bushings and IEEE Standard Metric Jack Screws Installed

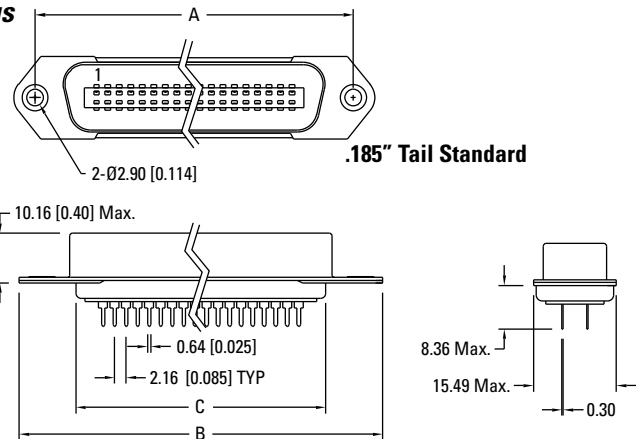
Color Option*

Standard: Blue Color
BLK: Black Color (minimum order requirement)

Dimensions

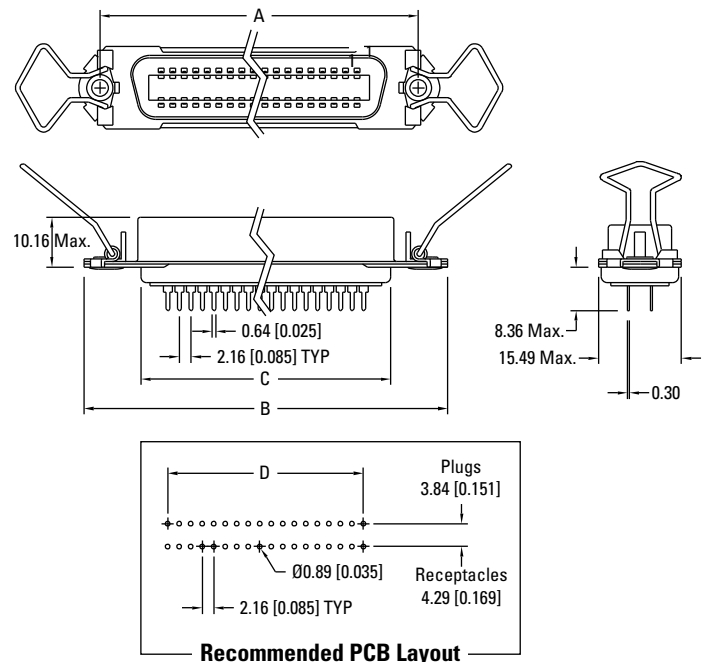
Dimensions in mm [In]

Plugs



Receptacles

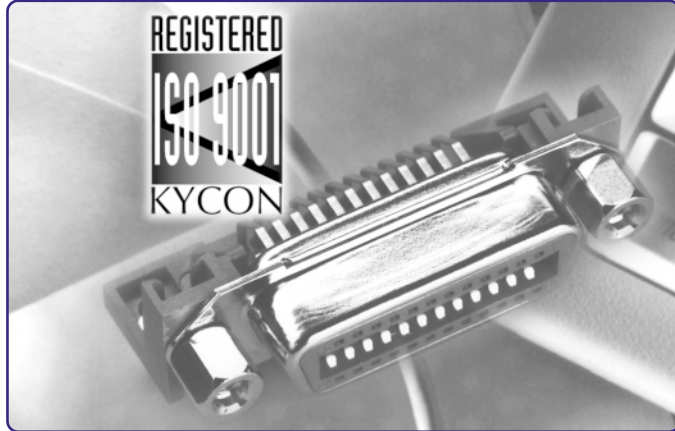
Pictured with Spring Latch



	14 Contacts		24 Contacts	
	In	mm	In	mm
A	1.417	35.991	1.842	46.787
B	1.750	44.450	2.175	55.245
C	.910	23.114	1.335	33.909

	36 Contacts		50 Contacts	
	In	mm	In	mm
A	2.352	59.741	2.947	74.854
B	2.685	68.199	3.280	83.312
C	1.845	46.863	2.440	61.976

* Add to end of part number



Right Angle PCB Mount Miniature Ribbon Connectors

Ordering Information

37	-	92	500	-	24	-	XK	BLK
Series		Contact Type	No of Contacts		Mounting Option (PCB)		Mounting Option (Panel)	Color

Series

37 - Right Angle PCB Mount Miniature Ribbon Connector

Contact Type

91 - Pin Contact (Plug)
92 - Socket Contact (Receptacle)

Number of Contacts

240 - 24 Contacts
360 - 36 Contacts
500 - 50 Contacts

Mounting Option (PCB)

12 - 4-40 Riveted Threaded Mounting Holes
24 - Grounding Brackets

Mounting Option (Panel)

Blank - With Spring Latches*
K - With 4-40 Riveted Threaded Inserts and Spring Latches*
X - With Pan Head Screws installed and without Spring Latches
XK - With 4-40 Riveted Threaded Inserts and without Spring Latches
XJ - Without Spring Latches and with Jack Screws Installed**
XJM - Without Spring Latches and with IEEE Standard Metric Jack Screws Installed**

Color

Blank - Blue (Standard)
BLK - Black

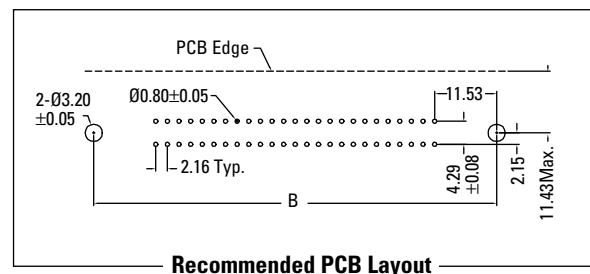
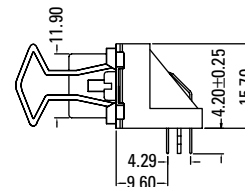
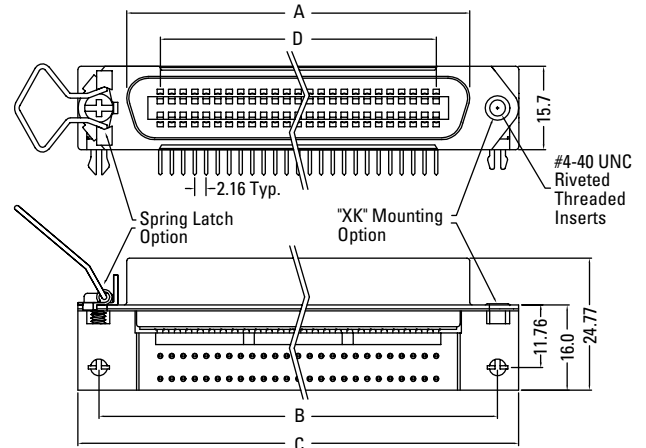
* Spring Latch Option Only Available for Receptacle
** Removal of Jack Screws Will Cause Disassembly of XJ Option

MINIATURE RIBBON CONNECTORS

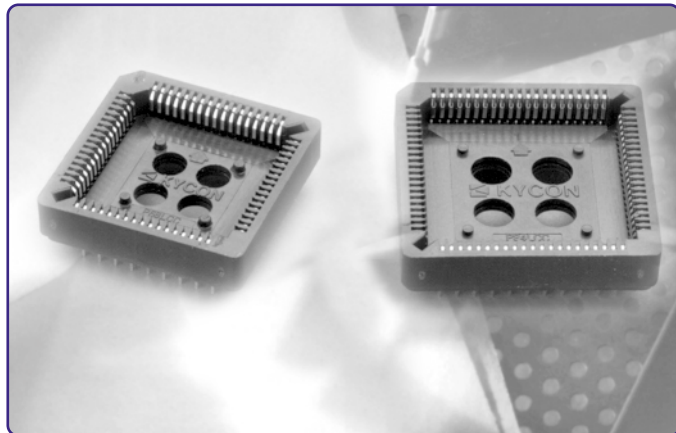
37 Series

Dimensions

Dimensions in mm



Number of Contacts (Shell Size)	Dimensions (Inch/mm)			
	A	B	C	D
24	1.427	1.843	2.150	.935
	36.30	46.80	54.70	23.76
36	1.941	2.350	2.638	1.446
	49.30	59.70	67.70	36.72
50	2.545	2.949	3.264	2.041
	64.45	74.90	82.80	51.84




P Series Through Hole PLCC Socket

Features 

- Applications Include All Electronic PC Boards Requiring the Conversion of a .050" Pitch Chip Carrier to a .100" x .100" Grid Through Board Application
- Accepts Molded Plastic Chip Carriers Conforming to JEDEC Specification MO-047 for Square and MO-052 for Rectangular Configuration
- Visual and Mechanical Polarization for PLCC Insertion
- Closed Bottom for Excellent Protection from Solder Wicking Into Contact Area
- Molded-In Stand-Offs Allow Easy Removal of Flux Residue
- Extraction Tool Slots*
- Open Top Design for Cooler Running Chip Carrier
- Automatic Insertion Machine Compatible
- CSA/NRTL Certified File No. LR78160

Performance Specifications

Materials and Finish

Body
LCC: PBT Thermoplastic, 30% Glass Filled, 
UL94V-0 Rated, Black Color
LCC-1: PPS Thermoplastic, 40% Glass Filled,
UL94V-0 Rated, Brown Color

Contact Material

Phosphor Bronze

Contact Finish

Copper Alloy, Tin Plated

Electrical Characteristics

Contact Current Rating: 1 Amp

Contact Resistance: 30 Milliohms Max.

Dielectric Withstanding Voltage: 500V AC Min. for 1 Minute

Insulation Resistance: 1000 Megohms Min.

Temperature Rating: -55°C to +105°C

* PLCC Extraction Tool P/N TLP-PLCC

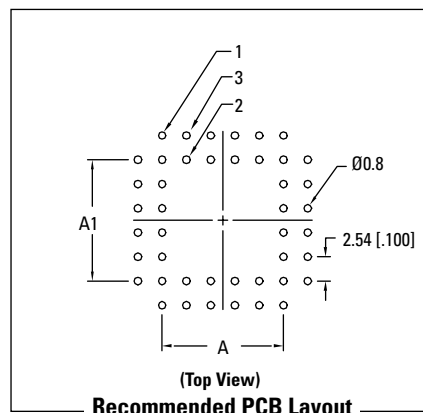
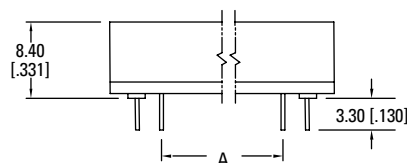
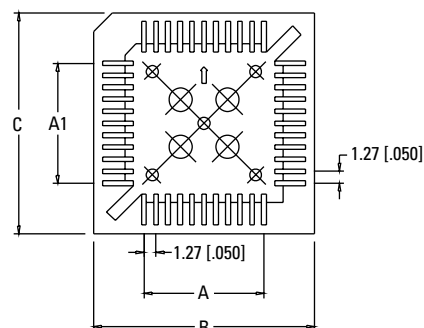
CHIP CARRIER SOCKETS

P Series

Ordering Information

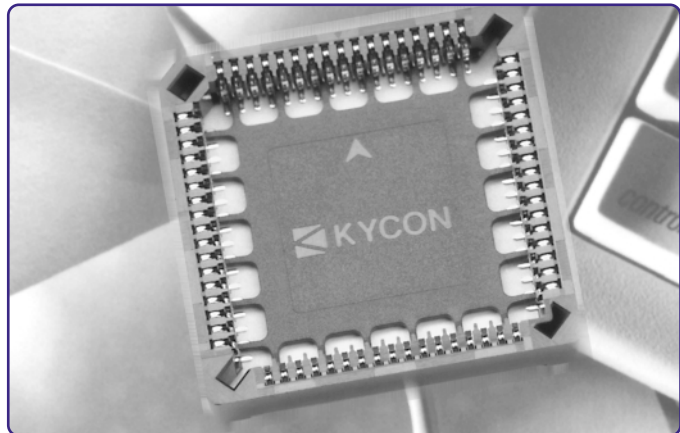
P	-	44	LCC
Series		Number of Contacts	LCC: PBT LCC-1: PPS

Dimensions



Dimensions in mm [In]

Number of Contacts	A ±0.1	A1 ±0.1	B ±0.2	C ±0.2
20	5.08	5.08	15.56	15.56
28	7.62	7.62	17.78	17.78
32	7.62	10.16	18.10	20.64
44	12.70	12.70	23.58	23.58
52	15.24	15.24	25.72	25.72
68 - PBT	20.32	20.32	31.80	31.80
68 - PPS	20.32	20.32	31.10	31.10
84 - PBT	25.40	25.40	36.70	36.70
84 - PPS	25.40	25.40	36.00	36.00



SMP Series Slim Design Surface Mount PLCC Socket

Features



- Applications Include All Electronic PC Boards Requiring Use of a Socket with Same Footprints as Most Common Plastic Leaded Chip Carriers
- Accepts Molded Plastic Chip Carriers Conforming to JEDEC Specification MO-047 for Square and MO-052 for Rectangular Configuration
- Visual and Mechanical Polarization for PLCC Insertion
- Open Frame Design for Ease of Contact Inspection and Repair
- Optional PCB Polarizing Pegs Available
- Slimmer Design Saves on Board Space
- Extraction Tool Slots*
- Open Top Design for Cooler Running Chip Carrier
- Automatic Insertion Machine Compatible
- CSA/NRTL Certified File No. LR78160

Performance Specifications

Materials

Body
PPS Thermoplastic, UL94V-0 Rated, Brown Color

Contact Material

Phosphor Bronze

Contact Finish

Tin Over Nickel Plating

Electrical Characteristics

Contact Current Rating: 1 Amp

Contact Resistance: 15 Milliohms Max.

Dielectric Withstanding Voltage: 1000 V AC Min. for 1 Minute

Insulation Resistance: 1000 Megohms Min.

Operating Temperature: -55°C to +105°C

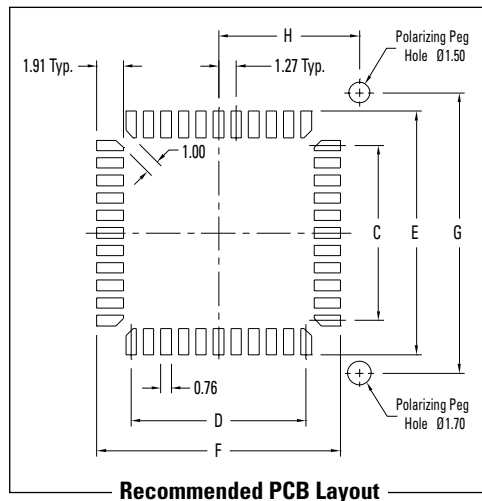
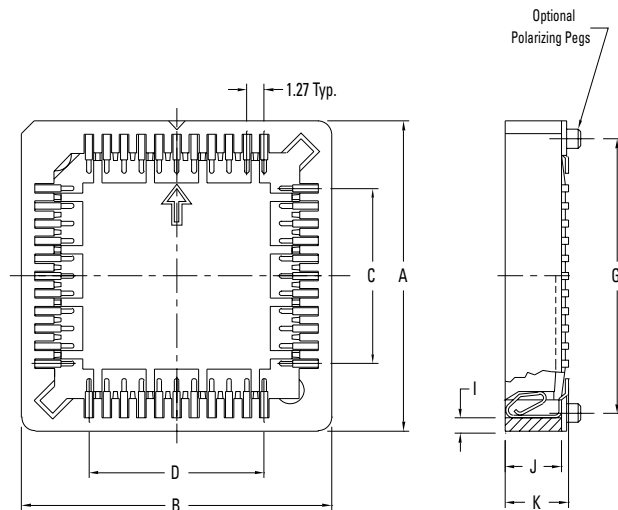
*PLCC Extraction Tool P/N TLP-PLCC

CHIP CARRIER SOCKETS

SMP Series

Ordering Information

SMP	-	68	LCC2	-	N	
Series		Number of Contacts			N: Non Polarized P: Polarized	Packaging Blank: Tubes TR: Tape and Reel



Dimensions in mm

No. of Cont.	A	B	C	D	E	F	G	H	I	J	K
20	14.86	14.86	5.08	5.08	10.03	10.03	12.70	6.35	0.94	4.10	4.60
28	17.40	17.40	7.62	7.62	12.57	12.57	15.24	7.62	0.95	4.10	4.60
32	19.45	16.90	10.16	7.62	15.11	12.57	17.78	7.62	0.70	3.83	4.27
44	22.48	22.48	12.70	12.70	17.65	17.65	20.32	10.16	0.95	4.10	4.60
52	25.40	25.40	15.24	15.24	20.19	20.19	22.86	11.43	1.10	4.10	4.60
68	30.54	30.54	20.32	20.32	25.27	25.27	27.94	13.97	1.17	4.10	4.60
84	35.56	35.56	25.40	25.40	30.35	30.35	33.02	16.15	1.12	4.10	4.60



Part Number	Page Number	Part Number	Page Number
37	136	KFWS-V	45
GA	79	KHDS	131
GDA	73	KLD	120
GDL	68	KLD (Mini)	123
GDLF	70	KLD-SMT	121
GDP	74	KLD-SMT (Mini)	124
GIS	52	KLD-SMT2	122
GL	72	KLDP	127
GM	60	KLDV	125
GM-SMT2	62	KLDV-SMT	126
GMI	57	KLP	116
GP	79	KLP42	117
GS	66	KLPHT	116
GSG	76	KMB (mini)	43
GSP	55	KMDG	84
JS	38	KMDG (stacked)	88
K-SCART	134	KMDGHT	84
K202HT	5	KMDGHT (stacked)	88
K22	6	KMDLA	95
K22HT	6	KMDPL	94
K31	10	KMDT	90
K31HT	10	KMDVL	92
K42	22	KPJ	128
K44	7	KPP	128
K61	12	KUSB	40
K61HT	12	KUSBV	42
K66	8	KVI	46
K66 VESA	8	MP	82
K77	48	MPS	82
K85	15	P	139
K85R1	13	SMP	140
K85R2	13	ST-2000	100
K86	16	ST-2500	100
K88	18	ST-2550	101
K99	19	ST-3000	102
KCD	96	ST-3081	104
KDM	132	ST-3100	105
KF22	28	ST-3120	107
KF42	31	ST-314	110
KF44	29	ST-315	110
KF66	30	ST-3200	108
KF85	32	ST-3500	103
KF86	33	ST-3900	112
KF88	34	ST-4235	113
KFMDG	85	STP-3501	115
KFWS-SMT	44		

Important Notice to Purchaser:

All statements, technical information and recommendations contained herein are based on tests we believe to be reliable, but the accuracy or completeness thereof is not guaranteed, and the following is made in lieu of all warranties expressed or implied: Seller's and manufacturer's only obligation shall be to replace such quantity of the product proved to be defective. Neither seller nor manufacturer shall be liable for any injury, loss or damage, direct or consequential, arising out of the use of or the inability to use the product. Before using, user shall determine the suitability of the product for his intended use, and user assumes all risk and liability whatsoever in connection therewith. No statements or recommendations not contained herein shall have any force or effect unless in an agreement signed by officers of seller and manufacturer.

KYCON Tech Support: **1-888-KYCON-22**
or E-mail: sales@kycon.com

KYCON, Inc. reserves the right to make engineering, material and model changes on catalog items without notice when such changes do not interfere with the general purpose for which such items are manufactured.